

zehnder

always the
best climate

Always the best climate for

HEATING YOUR HOME

Decorative Radiators, Towel Rails
and Extractor Fans



The Zehnder Selection Brochure
January 2018

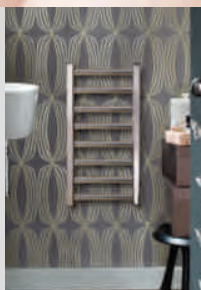
At Zehnder, heat is everything.

We invented the ladder towel rail and the first ever steel radiator and our passion for heating continues. Since the Zehnder brand was founded more than 100 years ago, we have been designing and delivering innovations in radiator technology and style.

Today our extensive range has been designed to provide comfort throughout the home - in bathrooms, kitchens and living spaces you can choose from modern, contemporary designs to our traditional and iconic multicolumn radiator.

**HEATED TOWEL RAILS
for en-suites and
cloakrooms**

PAGE 7



**HEATED TOWEL RAILS
for under bathroom
windows**

PAGE 16



**STAINLESS STEEL
HEATED TOWEL RAILS
and RADIATORS
recommended for
wet rooms**

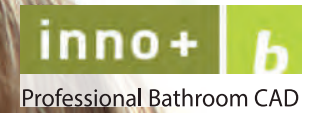
PAGE 64



**RADIATORS FOR
LIVING ROOMS and
other areas of the home**

PAGE 80





Symbol Key

- Central heating
- Dual energy radiators
- Stainless steel
- m2m radiators
- Electric radiators
- Colour

2 YEAR WARRANTY **5 YEAR WARRANTY** **10 YEAR WARRANTY** All radiators have a 5 Year Warranty apart from Electric radiators which have 2 Years, and Stainless Steel radiators which have 10 Years.

Delivery working days

*applies to stock items only

HEATED TOWEL RAILS for bathrooms

PAGE 22



COLOUR OPTIONS and Technical Specification

PAGE 158



ELECTRIC RADIATORS for electric towel rails refer to bathroom section

PAGE 118



HOW TO SELECT the correct radiator

PAGE 160



Eco Design

New Regulations for electric heating

From 1st January 2018, all electric local space heaters manufactured for sale in the EU must comply with a minimum efficiency standard under Lot 20 of the Energy Efficiency Directive. This is one of the biggest changes the electric heating industry has experienced in decades.

What exactly is Lot 20?

The directive comes from: The European Ecodesign Directive (2009/125/EC)

“The aim of this legislation is to rule out inefficient technologies and reduce the energy used by the products that heat our homes, helping to achieve our national carbon reduction targets.”

The Regulation will affect;

- Storage heaters
- Direct acting heaters
- Portable heaters
- Radiant heaters
- Electric fires

How does this change impact products?

To comply with the new Lot 20 Regulations, all local space heaters **will have to meet a minimum efficiency rating that is measured as a percentage.**

Electric radiators, infrared heaters and panel heaters are all classed as ‘fixed electric local space heaters’, and they **must have at least a 38% efficiency rating if they have a nominal heat output above 250W.**

Towel warmers (less than 250W) are not included in the scope of the new directive.

As a result of these efficiency targets, products will include energy saving features such as better controls for end users.

Why has the Directive been introduced and what are the benefits?

Overall, the aim of the directive is Energy Saving. It will ensure more efficient electric radiators with the following benefits;

- **Cost Savings** to the end user as the radiator will perform more efficiently in the home
- **Carbon Emission Reduction** helping protect our environment for the future
- **Improved customisation and control for end users** as a result of more interactive and programmable capabilities in the products that help reduce unnecessary energy wastage

What about Zehnder electric products?

As part of the changes, new features that offer benefit to end user to maximise efficiency and control will be included;

- Low energy consumption when on stand-by
- Programmable operation (weekly)
- Open window detection
- Presence Detection

Electric heating control details are included on each product page.



Showing wireless radio frequency pad for simple control and programming by end user.

Zehnder Radio Frequency Control

As part of the Eco Design Directive improvements, a new Radio Frequency control is now available with a number of products offering;

- Wireless control of radiator to end user - range of up to 30 metres in open space and up to 10 metres between rooms (one wall)
- A choice of pre-set programmes - working from a set '**comfort temperature**' by the end user
- Full customisation of weekly programme e.g. choose comfort temperature and time during the day to work between eco and comfort settings.



Type	Model	 central heating	 electric radiators	 dual energy radiators	 stainless steel/brass radiators	CE technical data
Heated towel rails for cloakrooms and en-suites						
	Zehnder Ax Spa	pg 8	-	✓	-	pg 144
	Zehnder Charleston Bar	pg 10	-	-	-	pg 145
	Zehnder Klaro	pg 14	pg 32	✓	-	pg 142
	Zehnder Metropolitan Spa	pg 12	-	✓	-	pg 144
	Zehnder Quaro Spa	pg 14	pg 26	✓	-	pg 141
	Zehnder Subway	pg 8	-	✓	pg 8	pg 142
	Zehnder Stellar	pg 10	-	✓	pg 10	pg 146
	Zehnder Stellar Spa	pg 12	-	✓	pg 12	pg 147
Heated towel rails for under bathroom windows						
	Zehnder Ax Spa	pg 17	pg 50	✓	-	pg 144
	Zehnder Metropolitan Spa	pg 18	pg 46	✓	-	pg 144
	Zehnder Roda Spa	pg 18	pg 52	✓	-	pg 144
	Zehnder Stellar	pg 20	-	✓	pg 20	pg 146
	Zehnder Stellar Spa	pg 20	-	✓	pg 20	pg 147
Heated towel rails for bathrooms						
	Zehnder Ax Spa	pg 48	pg 50	✓	-	pg 144
	Zehnder Balmoral	pg 62	pg 60	✓	-	pg 145
	Zehnder Buckingham	pg 62	-	✓	pg 62	pg 146
	Zehnder Charleston Bar	pg 58	-	-	-	pg 145
	Zehnder Klaro	pg 30	pg 32	✓	-	pg 142
	Zehnder Metropolitan Spa	pg 46	pg 46	✓	-	pg 144
	Zehnder Nobis	pg 60	-	-	-	pg 145
	Zehnder Osbourne	pg 62	-	✓	pg 62	pg 146
	Zehnder Quaro Spa	pg 26	pg 26	✓	pg 66	pg 141
	Zehnder Ribbon NEW	pg 24	-	✓	-	pg 141
	Zehnder Roda Spa Asym	pg 54	pg 56	✓	-	pg 145
	Zehnder Roda Spa	pg 52	pg 52	✓	-	pg 144
	Zehnder Sfera Bow	pg 40	-	✓	-	pg 142
	Zehnder Subway	pg 34	pg 38	✓	pg 72	pg 142
	Zehnder Vitalo Bar	pg 28	pg 28	-	-	pg 141
	Zehnder Yucca Asym	pg 42	-	✓	-	pg 143
	Zehnder Yucca Sym	pg 44	-	✓	-	pg 143
Stainless steel heated towel rails and radiators (Recommended for wet rooms)						
	Zehnder Bay	pg 78	-	-	pg 78	pg 148
	Zehnder Cove	pg 74	-	✓	pg 74	pg 147
	Zehnder Keel Asym	pg 76	-	✓	pg 76	pg 148
	Zehnder Quaro Spa	pg 26	pg 66	✓	pg 66	pg 146
	Zehnder Stellar	-	-	✓	pg 68	pg 146
	Zehnder Stellar Spa	-	-	✓	pg 70	pg 147
	Zehnder Subway	pg 34	pg 72	✓	pg 72	pg 147
	General purpose radiators					
	Zehnder Ax	 pg 100	-	-	-	pg 154
	Zehnder Charleston	 pg 82	-	-	-	pg 149
	Zehnder Charleston Mirror	pg 88	-	-	-	pg 150
	Zehnder Charleston Relax	pg 88	-	-	-	pg 150
	Zehnder Excelsior	 pg 114	-	-	-	pg 157
	Zehnder Kleo	 pg 102	-	-	-	pg 155
	Zehnder Lyta-S (horizontal)	 pg 110	-	-	-	pg 156
	Zehnder Lyta-T (vertical)	 pg 112	-	-	-	pg 156
	Zehnder Metropolitan	pg 90	-	-	-	pg 150
	Zehnder Roda	 pg 94	pg 122	-	-	pg 152
	Zehnder Roda Mirror	pg 98	-	-	-	pg 153
	Zehnder Stana NEW	pg 108	pg 108	✓	-	pg 148
	Electric room radiators (For electric towel rails, refer to heated towel rails for bathrooms)					
	Zehnder Aura	-	pg 120	-	-	-
	Zehnder Charleston electric	-	pg 122	-	-	-
	Zehnder Charleston Plinth electric	-	pg 122	-	-	-
	Zehnder Fare Tech	-	pg 120	-	-	-
	Zehnder Roda	-	pg 121	-	-	pg 152



Heated towel rails for en-suites and cloakrooms.

Compact in size yet still full of style, this decorative range has been designed to fit easily in smaller spaces. Choose from a number of styles and colour options to help complement your chosen decor.

Central Heating Model STOCK listed in black	Height mm	Width mm	Finish	Output $\Delta T=50K$ Watts/btu All outputs certified to EN 442	Electric Immersion Rating Watts	Weight kg	RRP (ex VAT)	RRP (inc 20% VAT)
Zehnder Ax Spa								
ZA-048-040	484	400	white	230/785	n/a	4.5	£174	£208.80
ZA-048-040-0336	484	400	volcanic	230/785	n/a	4.5	£218	£261.60
ZA-048-040-0523	484	400	beige quartz	230/785	n/a	4.5	£218	£261.60
ZA-048-040-0529	484	400	brown quartz	230/785	n/a	4.5	£218	£261.60

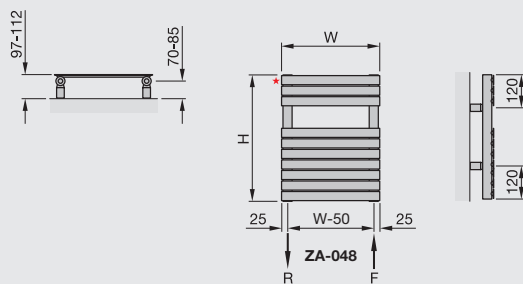
Projection: 97-112mm

Colour finish: Standard colours from the Zehnder colour chart including matt white finish: white RAL 9016 + 25%. Colour finish and non-stock products delivery: 18 working days.

Suggested valves (to suit pipework from the wall)

Model		RRP (ex VAT)	RRP (inc 20% VAT)
VAL-SET-2-CR	Contemporary double angled radiator valve set chrome plated	£59	£70.80
VAL-SET-11-CR	Thermostatic double angled valve set chrome plated	£183	£219.60

See page 48 for additional Ax Spa sizes, technical information and options, and pages 132 -137 for valve options



*1/8" air vent
Width excludes air vent
F = flow
R = return
H = height
W = width
Tube: Horizontal 38x10.5
Tube: Vertical \varnothing 38mm
All dimensions in mm

For full **CE** compliant technical specifications, refer to page 140

Central Heating Model STOCK listed in black	Height mm	Width mm	Finish	Output $\Delta T=50K$ Watts/btu All outputs certified to EN 442	Electric Immersion Rating Watts	Weight kg	RRP (ex VAT)	RRP (inc 20% VAT)
Zehnder Subway								
SUB-060-045	613	450	white	310/1058	200	5.2	£178	£213.60
SUB-060-045-0335	613	450	titane	310/1058	200	5.2	£223	£267.60
SUB-060-045-0336	613	450	volcanic	310/1058	200	5.2	£223	£267.60
SUB-060-045-0523	613	450	beige quartz	310/1058	200	5.2	£223	£267.60
SUB-060-045-0557	613	450	matt black	310/1058	200	5.2	£223	£267.60
SUBC-060-045	613	450	chrome	205/699	100	5.2	£387	£464.40
SUBI-060-045	613	450	stainless steel	221/754	150	5.1	£437	£524.40

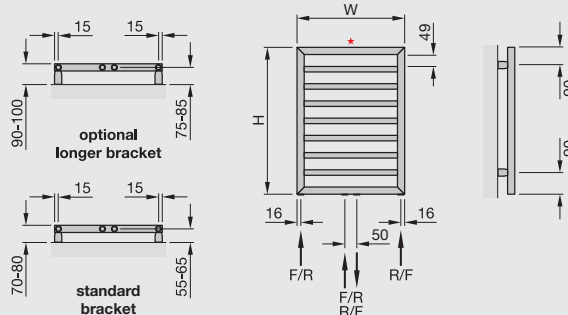
Projection: 70-80mm or 90-100mm, dependant on brackets selected. See page 30 for details

Colour finish: Standard colours from the Zehnder colour chart including matt white finish: white RAL 9016 + 25%. Colour finish and non-stock products delivery: 20 working days.

Suggested valves (to suit pipework from the wall)

Model		RRP (ex VAT)	RRP (inc 20% VAT)
VAL-SET-6-CR	Square head double angled valve set chrome plated	£210	£252.00

See pages 34 and 72 for additional Subway sizes, technical information and options, and pages 132 -137 for valve options



*1/2" air vent
Height excludes air vent
F = flow
R = return
H = height
W = width
Tube: Horizontal \varnothing 23mm
Tube: Vertical 30x30mm
All dimensions in mm

For full **CE** compliant technical specifications, refer to page 140
To make an approximate conversion from T=50K to T=60K multiply outputs by 1.2

SUB-060
SUBI-060
SUBC-060

Zehnder Ax Spa



Perfectly proportioned for even the smallest of cloakrooms.



Valves: see page 132



ZA-048-040 TRAFFIC WHITE

Zehnder Subway



The simple elegance and small projection of the Subway makes it an attractive choice for small spaces.



Volcanic



SUB - 060 -045 CHROME

CHARLESTON BAR & STELLAR

Central Heating Model STOCK listed in black	Height mm	Width mm	Finish	Output $\Delta T=50K$ Watts/btu All outputs certified to EN 442	Electric Immersion Rating Watts	Weight kg	RRP (ex VAT)	RRP (inc 20% VAT)
---------------------------------------------	-----------	----------	--------	--------------------------------------------------------------------	---------------------------------	-----------	--------------	-------------------

Zehnder Charleston Bar								
CPV2075-6	742	302	white	330/1128	n/a	7.64	£250	£300.00

1 x chrome towel bar included (trim to size). Projection including towel bar: 134mm

Colour finish: Standard colours from the Zehnder colour chart including matt white finish: white RAL 9016 + 25%. Colour finish and non-stock products delivery: 15 working days.

Accessories

Model		RRP (ex VAT)	RRP (inc 20% VAT)
601020	Lambs wool brush	£54	£64.80
966018	Additional 368mm Towel Bar	£133	£159.60

The additional chrome bar above can be cut down to fit if required

CTR-28	Chrome towel rail. Spans across 6 elements	£112	£134.40
---------------	--------------------------------------------	-------------	----------------

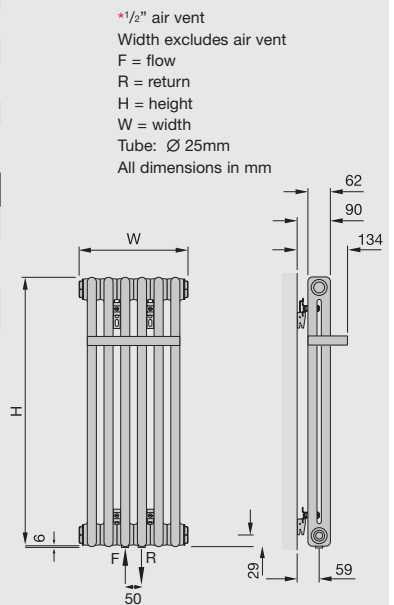
Contains full length rail and two brackets.

Suggested valves (to suit pipework from the wall)

Model		RRP (ex VAT)	RRP (inc 20% VAT)
VAL-SET-2-CR	Contemporary double angled radiator valve set chrome plated	£59	£70.80
VAL-SET-10-CR VAL-SET-11-CR	Thermostatic double angled valve set chrome plated	£183	£219.60

See pages 82 to 88 for additional Charleston sizes, technical information and options, and pages 132 -137 for valve options

For full compliant technical specifications, refer to page 140



Central Heating Model STOCK listed in black	Height mm	Width mm	Finish	Output $\Delta T=50K$ Watts/btu All outputs certified to EN 442	Electric Immersion Rating Watts	Weight kg	RRP (ex VAT)	RRP (inc 20% VAT)
---------------------------------------------	-----------	----------	--------	--------------------------------------------------------------------	---------------------------------	-----------	--------------	-------------------

Zehnder Stellar Stainless Steel								
STNI-060-045	572	450	s/steel polished	159/541	100	3.3	£235	£282.00
STNI-080-030	788	300	s/steel polished	159/541	100	3.6	£236	£283.20

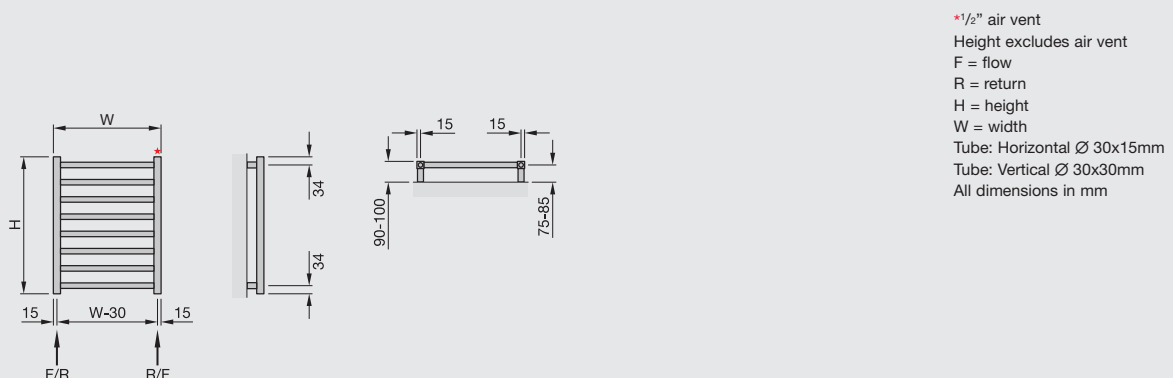
Projection: 90-100mm

Colour finish: Standard colours from the Zehnder colour chart. No charge for colour option. Colour finish and non-stock products delivery: 21 working days

Suggested valves (to suit pipework from the wall)

Model		RRP (ex VAT)	RRP (inc 20% VAT)
VAL-SET-6-CR	Square head double angled valve set chrome plated	£210	£252.00

See page 68 for additional Stellar sizes, technical information and options, and pages 132 -137 for valve options



For full compliant technical specifications, refer to page 140
To make an approximate conversion from T=50K to T=60K multiply outputs by 1.2

Zehnder Charleston Bar



At only 302mm wide, this especially created, stocked size of the Charleston is idea for narrow spaces. The chrome towel bar is included.



Valves: see page 132



EN 442 CE

CPV2075-6 TRAFFIC WHITE

Zehnder Stellar



The stainless steel Stellar with its neat proportions and narrow projection is a new favourite for cloakrooms.



Valves: see page 132



EN 442 CE

STNI-080-030 STAINLESS STEEL POLISHED

Central Heating Model STOCK listed in black	Height mm	Width mm	Finish	Output $\Delta T=50K$ Watts/btu All outputs certified to EN 442	Electric Immersion Rating Watts	Weight kg	RRP (ex VAT)	RRP (inc 20% VAT)
-------------------------------------------------------	-----------	----------	--------	-----------------------------------------------------------------------	---------------------------------	-----------	--------------	-------------------

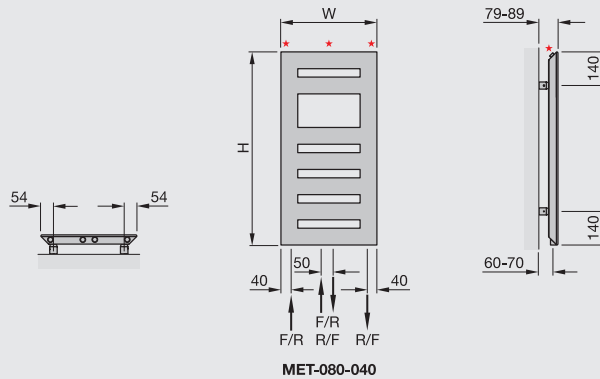
Zehnder Metropolitan Spa								
MET-080-040	805	400	white	327/1115	300	6.5	£343	£411.60

Colour finish: Standard colours from the Zehnder colour chart including matt white finish: white RAL 9016 + 25%. Colour finish and non-stock products delivery: 20 working days.

Suggested valves (to suit pipework from the wall)			
Model		RRP (ex VAT)	RRP (inc 20% VAT)
VAL-SET-2-CR	Contemporary double angled radiator valve set chrome plated	£59	£70.80
VAL-SET-10-CR VAL-SET-11-CR	Thermostatic double angled valve set chrome plated	£183	£219.60

See pages 46-47 for additional Metropolitan Spa sizes, technical information and options, and pages 132 -137 for valve options

*1/2" air vent
Width excludes air vent
F = flow
R = return
H = height
W = width
Tube: \varnothing 25mm
All dimensions in mm



For full compliant technical specifications, refer to page 140

Central Heating Model STOCK listed in black	Height mm	Width mm	Finish	Output $\Delta T=50K$ Watts/btu All outputs certified to EN 442	Electric Immersion Rating Watts	Weight kg	RRP (ex VAT)	RRP (inc 20% VAT)
-------------------------------------------------------	-----------	----------	--------	-----------------------------------------------------------------------	---------------------------------	-----------	--------------	-------------------

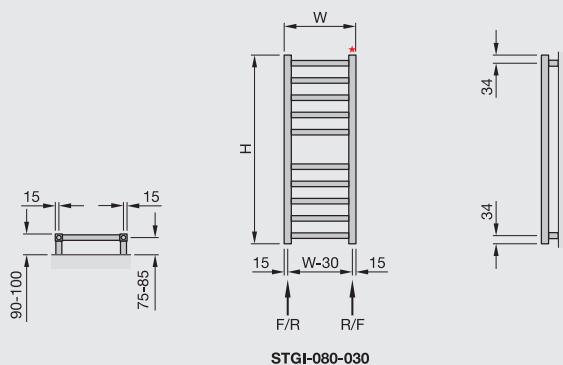
Zehnder Stellar Spa Stainless Steel Polished								
STGI-060-045	572	450	s/steel polished	161/549	100	3.1	£217	£260.40
STGI-080-030	788	300	s/steel polished	171/583	100	3.4	£218	£261.60

Colour finish: Standard colours from the Zehnder colour chart. No charge for colour option. Colour finish and non-stock products delivery: 21 working days

Suggested valves (to suit pipework from the wall)			
Model		RRP (ex VAT)	RRP (inc 20% VAT)
VAL-SET-6-CR	Square head double angled valve set chrome plated	£210	£252.00

See page 68 for additional Stellar Spa sizes, technical information and options, and pages 132 -137 for valve options

*1/2" air vent
Height excludes air vent
F = flow
R = return
H = height
W = width
Tube: Horizontal \varnothing 23mm
Tube: Vertical \varnothing 30mm
All dimensions in mm



For full compliant technical specifications, refer to page 140
To make an approximate conversion from T=50K to T=60K multiply outputs by 1.2

Zehnder Metropolitan Spa



The Zehnder Metropolitan is a modern, stylish and elegant interpretation of the traditional towel radiator now in cloakroom compatible sizes.



Valves: see page 132



MET-080-040 VOLCANIC

Zehnder Stellar Spa



The Zehnder Stellar Spa in stainless steel construction is a simple yet stylish towel radiator at affordable prices.



Valves: see page 132



STGI-080-030 STAINLESS STEEL POLISHED

QUARO SPA AND KLARO

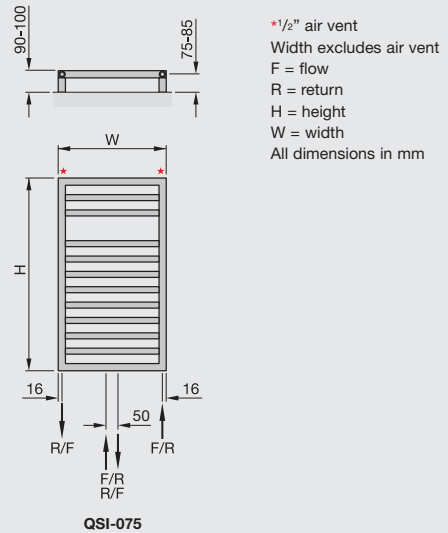
Central Heating Model STOCK listed in black	Height mm	Width mm	Finish	Output $\Delta T=50K$ Watts/btu All outputs certified to EN 442	Electric Immersion Rating Watts	Weight kg	RRP (ex VAT)	RRP (inc 20% VAT)
Zehnder Quaro Spa								
QS-075-045	803	450	white	332 /1133	200	7.5	£182	£218.40
QS-075-045-0346	803	450	anthracite	332 /1133	200	7.5	£228	£273.60
QS-075-045-0523	803	450	beige quartz	332 /1133	200	7.5	£228	£273.60
QSC-075-045	803	450	chrome	206/703	150	7.5	£406	£487.20
QSI-075-045	803	450	s/steel brushed	222 /757	200	7.1	£439	£526.80

Colour finish: Standard colours from the Zehnder colour chart including matt white finish: white RAL 9016 + 25%. Colour finish and non-stock products delivery: 20 working days.

Suggested valves (to suit pipework from the wall)

Model		RRP (ex VAT)	RRP (inc 20% VAT)
VAL-SET-6-CR	Square head double angled valve set chrome plated	£210	£252.00

See pages 26 and 66 for additional Quaro Spa sizes, technical information and options, and pages 132 -137 for valve options



For full **CE** compliant technical specifications, refer to page 140

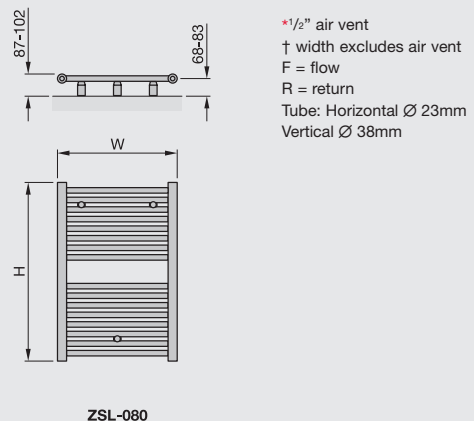
Central Heating Model STOCK listed in black	Height mm	Width mm	Finish	Output $\Delta T=50K$ Watts/btu All outputs certified to EN 442	Electric Immersion Rating Watts	Weight kg	RRP (ex VAT)	RRP (inc 20% VAT)
Zehnder Klaro								
ZSL-080-045	748	450	white	354/1208	200	5.4	£119	£142.80
ZSL-080-045-0336	748	450	volcanic	354/1208	200	5.4	£149	£178.80
ZSL-080-045-0523	748	450	beige quartz	354/1208	200	5.4	£149	£178.80
ZSL-080-045-0529	748	450	brown quartz	354/1208	200	5.4	£149	£178.80

Colour finish: Standard colours from the Zehnder colour chart including matt white finish: white RAL 9016 + 25%. Colour finish and non-stock products delivery: 20 working days

Suggested valves (to suit pipework from the wall)

Model		RRP (ex VAT)	RRP (inc 20% VAT)
VAL-SET-2-CR	Contemporary double angled radiator valve set chrome plated	£59	£70.80

See page 26 for additional Klaro sizes, technical information and options, and pages 132 -137 for valve options



For full **CE** compliant technical specifications, refer to page 140
To make an approximate conversion from T=50K to T=60K multiply outputs by 1.2

Zehnder Quaro Spa



The Zehnder Quaro Spa has an elegant square profile and tubes which complement the clean, classic lines of modern cloakroom sanitaryware and taps.



Valves: see page 132



QSI-075-045 STAINLESS STEEL BRUSHED

Zehnder Klaro



Stylish tube-in-tube cloakroom towel warmer, available in White, Volcanic, Beige Quartz and Brown Quartz from stock. Other colours and finishes available in 20 working days.



Valves: see page 132



ZSL-080-045-0336 VOLCANIC

Towel warmers - under window.

Room size and space can differ dramatically - this range is specially designed for under the bathroom window or where there are height restrictions. Choose from a range of styles and colours to complement your chosen decor.



Zehnder Ax Spa



The eye-catching Ax Spa under window towel warmer is available in a variety of widths and 4 stocked colours. Other sizes and colours are of course available to order.



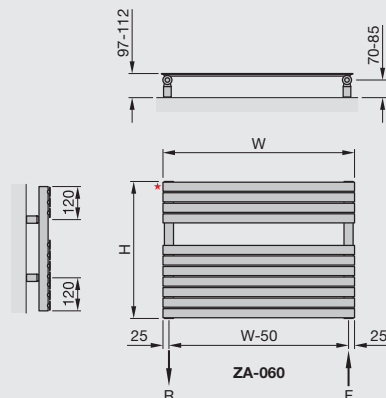
ZA-060-080-0336 VOLCANIC



Central Heating Model STOCK listed in black	Height mm	Width mm	Finish	Output $\Delta T=50K$ Watts/btu All outputs certified to EN 442	Electric Immersion Rating Watts	Weight kg	RRP (ex VAT)	RRP (inc 20% VAT)
Zehnder Ax Spa Single tube								
ZA-060-080	575	800	white	458/1563	300	10.2	£369	£442.80
ZA-060-090	575	900	white	515/1757	300	11.3	£416	£499.20
ZA-060-100	575	1000	white	573/1955	300	12.4	£461	£553.20
ZA-060-120	575	1200	white	687/2344	500	14.5	£551	£661.20
ZA-060-080-0336	575	800	volcanic	458/1563	300	10.2	£461	£553.20
ZA-060-090-0336	575	900	volcanic	515/1757	300	11.3	£520	£624.00
ZA-060-080-0523	575	800	beige quartz	458/1563	300	10.2	£461	£553.20
ZA-060-090-0523	575	900	beige quartz	515/1757	300	11.3	£520	£624.00
ZA-060-080-0529	575	800	brown quartz	458/1563	300	10.2	£461	£553.20
ZA-060-090-0529	575	900	brown quartz	515/1757	300	11.3	£520	£624.00

Dual energy: Self fit - (additional cost to central heating model prices). See page 138 for details.

Colour finish: Standard colours from the Zehnder colour chart including matt white finish: white RAL 9016 + 25%. Colour finish and non-stock products delivery: 18 working days.



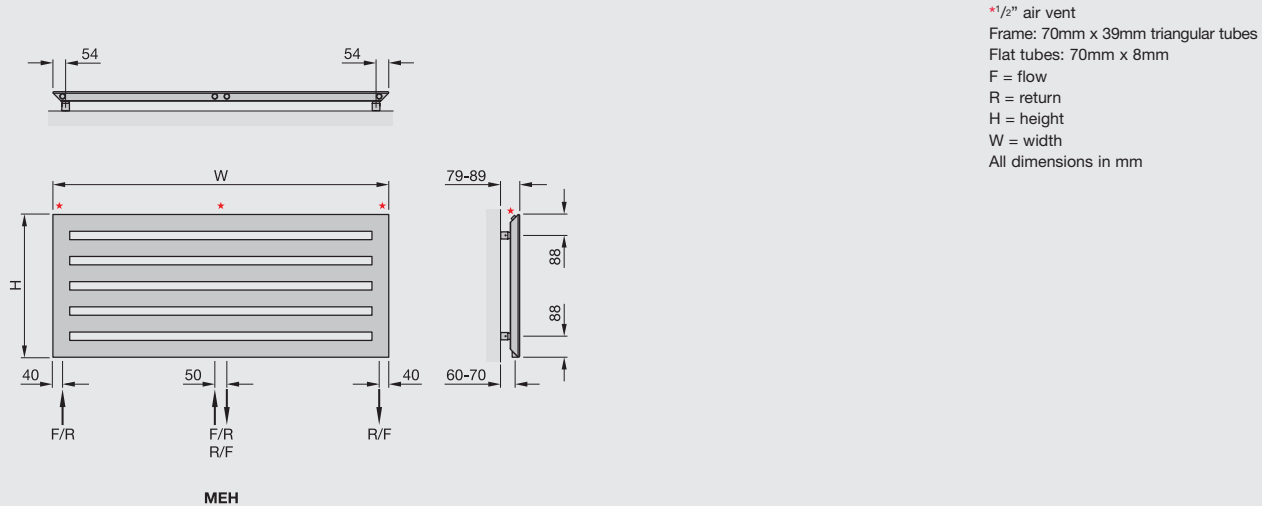
*1/8" air vent
Width excludes air vent
F = flow
R = return
H = height
W = width
Tube: Horizontal \varnothing 38x10.5
Tube: Vertical \varnothing 38mm
All dimensions in mm

For full compliant technical specifications, refer to page 140
To make an approximate conversion from T=50K to T=60K multiply outputs by 1.2

Central Heating Model STOCK listed in black	Height mm	Width mm	No. of sections	Finish	Output $\Delta T=50K$ Watts/btu All outputs certified to EN 442	Weight kg	RRP (ex VAT)	RRP (inc 20%) VAT
Zehnder Metropolitan horizontal tubes								
MEH-060-090	595	900	6	white	447/1525	10.1	£476	£571.20

Colour finish: Standard colours from the Zehnder colour chart including matt white finish: white RAL 9016 + 25%. Colour finish and non-stock products delivery: 20 working days.

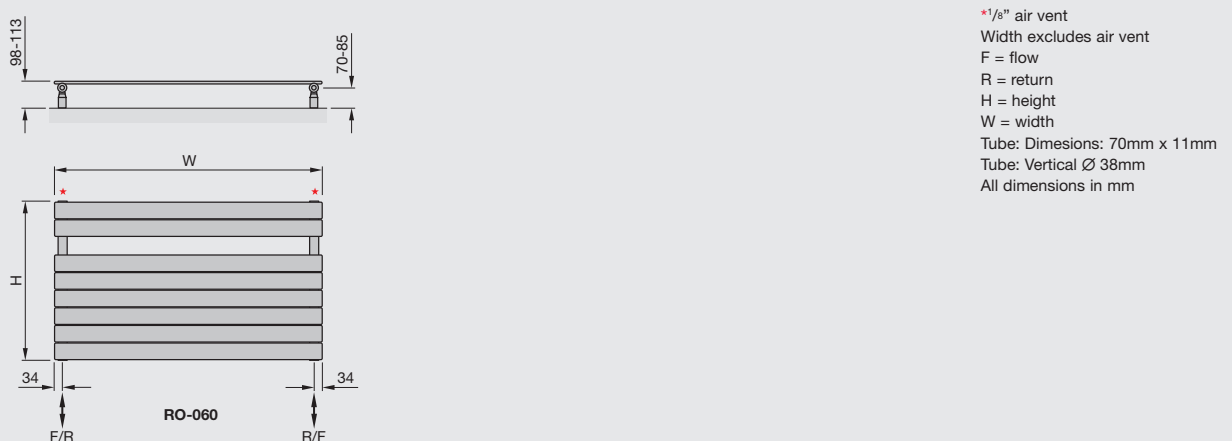
MEH accessories			
Model		RRP (ex VAT)	RRP (inc 20% VAT)
468038	Towel-bar for 400 mm width radiator, chrome plated	£98	£117.60
468048	Towel-bar for 500 mm width radiator, chrome plated	£100	£120.00
468058	Towel-bar 600 mm width radiator, two fixing points, chrome plated	£103	£123.60
480438	Set of hooks (2 pcs.), to clip on, chrome plated	£44	£52.80



Central Heating Model STOCK listed in black	Height mm	Width mm	Finish	Output $\Delta T=50K$ Watts/btu All outputs certified to EN 442	Electric Immersion Rating Watts	Weight kg	RRP (ex VAT)	RRP (inc 20% VAT)
Zehnder Roda Spa								
RO-060-100	667	1000	white	656/2238	400	14.6	£436	£523.20

Dual Energy: Self Fit - Additional cost to Central Heating model prices see page 138 for details

Colour finish: Standard colours from the Zehnder colour chart including matt white finish: white RAL 9016 + 25%. Colour finish and non-stock products delivery: 17 working days.



For full compliant technical specifications, refer to page 140
 To make an approximate conversion from T=50K to T=60K multiply outputs by 1.2

Zehnder Metropolitan



The geometric Metropolitan is sleek and attractive. The air vents and connections are neatly hidden to maintain the purity of the modern design. Why not add an optional towel bar for more towel hanging space?



MEH-060-090 WHITE QUARTZ

Zehnder Roda Spa



High output and stylish practicality combined make the Roda Spa under window radiator the perfect solution for bathrooms with angular fittings.



RO-060-100 TRAFFIC WHITE

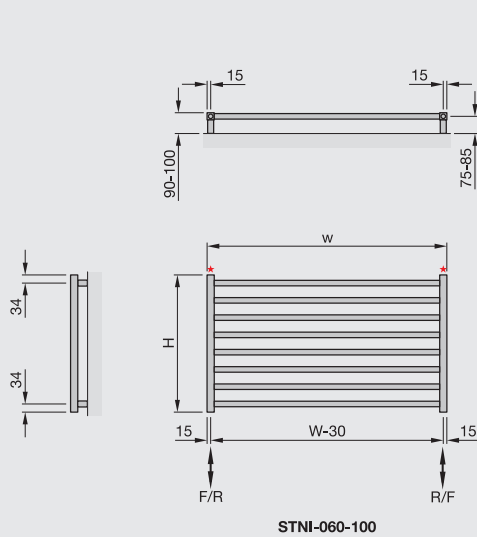
Stainless Steel STOCK listed in black	Height mm	Width mm	Finish	Output $\Delta T=50K$ Watts/btu All outputs certified to EN 442	Electric Immersion Rating Watts	Weight kg	RRP (ex VAT)	RRP (inc 20% VAT)
---------------------------------------------	--------------	-------------	--------	--------------------------------------------------------------------------	------------------------------------------	--------------	-----------------	-------------------------

Zehnder Stellar Stainless Steel

STNI-060-100	572	1000	s/steel polished	284/970	200	5.8	£421	£505.20
--------------	-----	------	------------------	---------	-----	-----	------	---------

Dual Energy: Self Fit - Additional cost to Central Heating model prices see page 136 for details

Colour finish: Standard colours from the Zehnder colour chart. No charge for colour option. Delivery of colour finish and non-stock products: 21 working days.



*1/2" air vent
Height excludes air vent
F = flow
R = return
H = height
W = width
Tube: Horizontal \varnothing 23mm
Tube: Vertical 30x30mm
All dimensions in mm

STNI-060-100

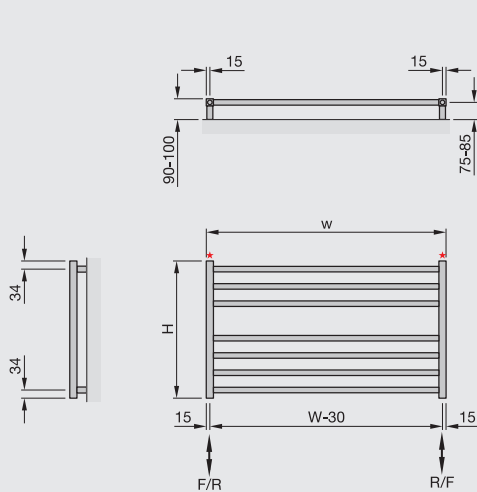
Stainless Steel STOCK listed in black	Height mm	Width mm	Finish	Output $\Delta T=50K$ Watts/btu All outputs certified to EN 442	Electric Immersion Rating Watts	Weight kg	RRP (ex VAT)	RRP (inc 20% VAT)
---------------------------------------------	--------------	-------------	--------	--------------------------------------------------------------------------	------------------------------------------	--------------	-----------------	-------------------------

Zehnder Stellar Spa Stainless Steel

STGI-060-100	572	1000	s/steel polished	272/928	150	5.3	£390	£468.00
--------------	-----	------	------------------	---------	-----	-----	------	---------

Dual Energy: Self Fit - Additional cost to Central Heating model prices see page 138 for details

Colour finish: Standard colours from the Zehnder colour chart. No charge for colour option. Delivery of colour finish and non-stock products: 21 working days.



*1/2" air vent
Height excludes air vent
F = flow
R = return
H = height
W = width
Tube: Horizontal \varnothing 23mm
Tube: Vertical 30x30mm
All dimensions in mm

STGI-060-100

For full compliant technical specifications, refer to pages 140
To make an approximate conversion from T=50K to T=60K multiply outputs by 1.2

Zehnder Stellar & Stellar Spa



If you need an under window towel warmer for a wet room then the stainless steel Stellar or Stellar Spa could fit the bill. The simple, contemporary lines make them the ideal solution for minimalist wet room and bathroom designs.



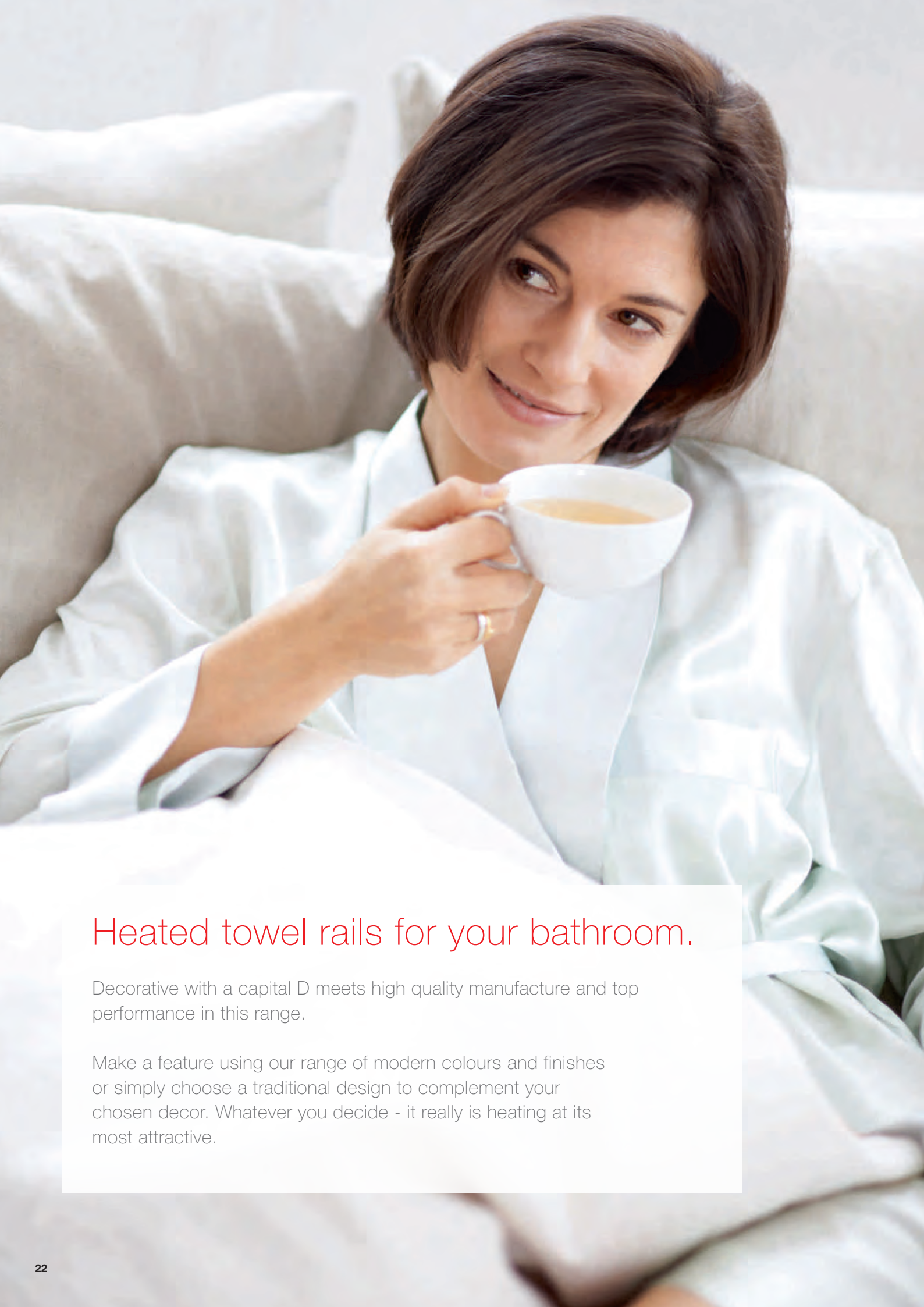
Valves: see page 132



STNI-060-100 STAINLESS STEEL POLISHED



STGI-060-100 STAINLESS STEEL POLISHED



Heated towel rails for your bathroom.

Decorative with a capital D meets high quality manufacture and top performance in this range.

Make a feature using our range of modern colours and finishes or simply choose a traditional design to complement your chosen decor. Whatever you decide - it really is heating at its most attractive.

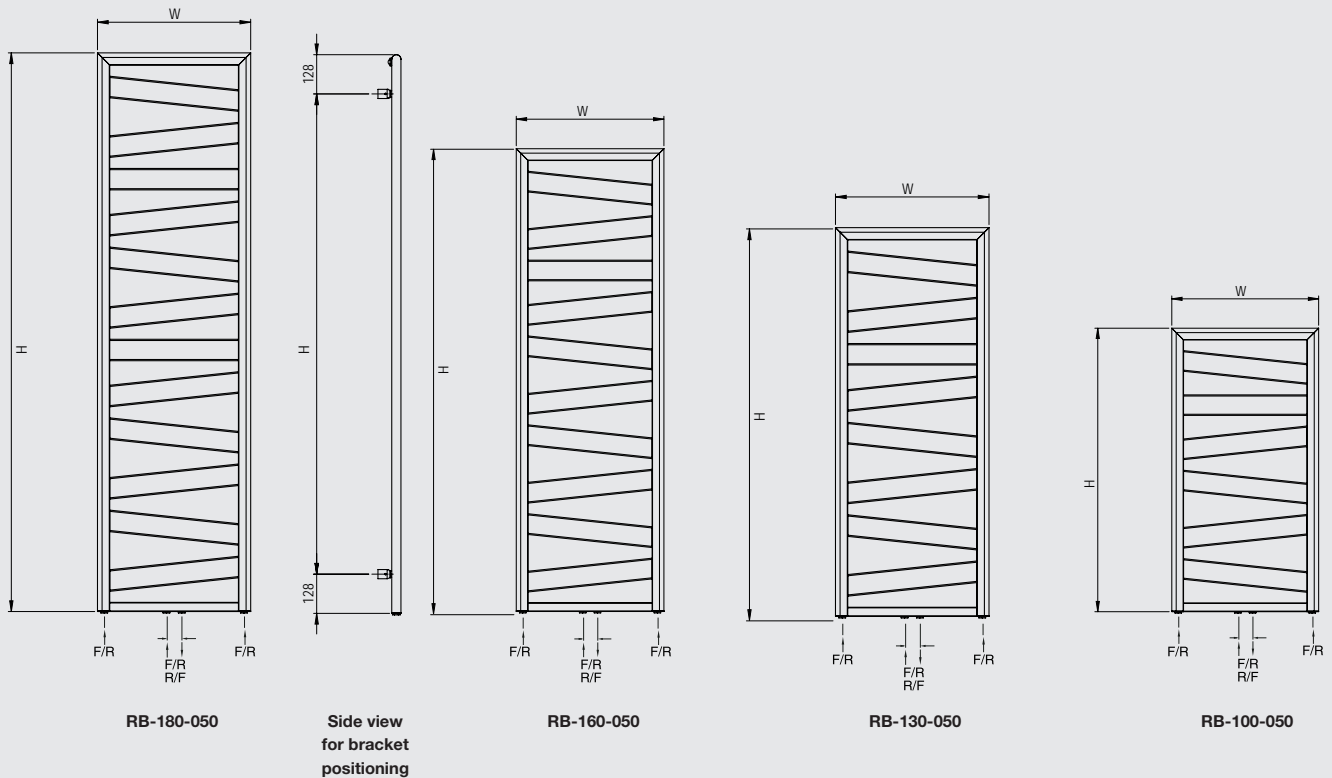
NEW FOR
2018



NEW FOR 2018 THE RIBBON: RB-160-050 MATT BLACK

Central Heating Model STOCK listed in black	Height mm	Width mm	Finish	Output $\Delta T=50K$ Watts/btu All outputs certified to EN 442	Electric Immersion Rating Watts	Weight kg	RRP (ex VAT)	RRP (inc 20% VAT)
Zehnder Ribbon								
RB-100-050	965	500	white	1358	398	8.4	£249	£298.80
RB-130-050	1266	500	white	1737	509	10.7	£298	£357.60
RB-160-050	1567	500	white	2074	621	13.1	£347	£416.40
RB-180-050	1823	500	white	2467	723	15.1	£396	£475.20
RB-100-050-0557	965	500	matt black	1358	398	8.4	£311	£373.20
RB-130-050-0557	1266	500	matt black	1737	509	10.7	£373	£447.60
RB-160-050-0557	1567	500	matt black	2074	621	13.1	£434	£520.80
RB-180-050-0557	1823	500	matt black	2467	723	15.1	£495	£594.00
RBC-100-050	965	500	chrome	891	261	8.5	£595	£714.00
RBC-130-050	1266	500	chrome	1116	327	10.8	£724	£868.80
RBC-160-050	1567	500	chrome	1341	393	13.1	£843	£1,011.60
RBC-180-050	1823	500	chrome	1573	461	15.4	£962	£1,154.40

Colour finish: Standard colours from the Zehnder colour chart including matt white finish: white RAL 9016 + 25%. Colour finish and non-stock products delivery: 20 working days.



For full **CE** compliant technical specifications, refer to page 140
 To make an approximate conversion from T=50K to T=60K multiply outputs by 1.2

Zehnder Ribbon



Introducing our new Ribbon towel radiator - a super sleek and stylish design suitable for modern bathroom interiors and available in a range of sizes and chrome, white and brand new matt black finishes.



Electric version available mid 2018, please see zehnder.co.uk or contact us for more details.

NEW FOR
2018



EN 442 CE

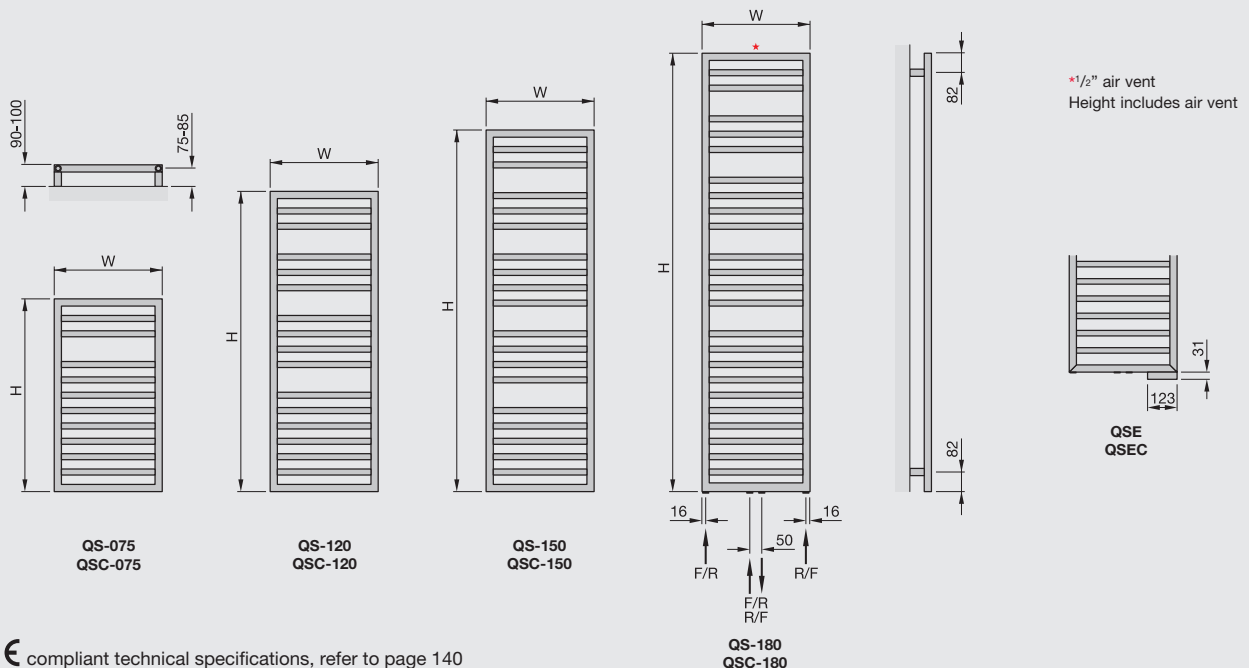
RB-160-050 MATT BLACK

Central Heating Model STOCK listed in black	Height mm	Width mm	Finish	Output $\Delta T=50K$ Watts/Btu All outputs certified to EN 442	Electric Immersion Rating Watts	Weight kg	RRP (ex VAT)	RRP (inc 20% VAT)
Zehnder Quaro Spa								
QS-075-045	803	450	white	332 /1133	200	7.5	£182	£218.40
QS-120-045	1251	450	white	493/ 1682	300	10.3	£199	£238.80
QS-120-055	1251	550	white	580 /1979	400	12.0	£224	£268.80
QS-150-045	1507	450	white	588 /2006	400	11.9	£238	£285.60
QS-150-055	1507	550	white	694 /2368	500	14.0	£262	£314.40
QS-180-055	1827	550	white	851 /2904	600	16.9	£297	£356.40
QS-075-045-0346	803	450	anthracite	332 /1133	200	7.5	£228	£273.60
QS-120-045-0346	1251	450	anthracite	493/ 1682	300	10.3	£249	£298.80
QS-120-055-0346	1251	550	anthracite	580 /1979	400	12.0	£280	£336.00
QS-150-045-0346	1507	450	anthracite	588 /2006	400	11.9	£298	£357.60
QS-150-055-0346	1507	550	anthracite	694/ 2368	500	14.0	£328	£393.60
QS-180-055-0346	1827	550	anthracite	851 /2904	600	16.9	£371	£445.20
QS-075-045-0523	803	450	beige quartz	332 /1133	200	7.5	£228	£273.60
QS-120-045-0523	1251	450	beige quartz	493/ 1682	300	10.3	£249	£298.80
QS-120-055-0523	1251	550	beige quartz	580 /1979	400	12.0	£280	£336.00
QS-150-045-0523	1507	450	beige quartz	588 /2006	400	11.9	£298	£357.60
QS-150-055-0523	1507	550	beige quartz	694/ 2368	500	14.0	£328	£393.60
QS-180-055-0523	1827	550	beige quartz	851 /2904	600	16.9	£371	£445.20
QSC-075-045	803	450	chrome	206 /703	150	7.1	£406	£487.20
QSC-120-045	1251	450	chrome	313 /1068	200	9.8	£520	£624.00
QSC-120-055	1251	550	chrome	376/ 1283	300	11.6	£576	£691.20
QSC-150-045	1507	450	chrome	371/ 1266	300	11.3	£638	£765.60
QSC-150-055	1507	550	chrome	443 /1512	300	13.4	£685	£822.00
QSC-180-055	1827	550	chrome	544 /1856	400	16.1	£777	£932.40

Electric Heating Model	Height mm	Width mm	Finish	Watts Radio frequency remote programmer IPX4 Zone 1 Bath, Zone 2 Shower, Class II	Weight kg	RRP (ex VAT)	RRP (inc 20% VAT)
------------------------	-----------	----------	--------	-----------------------------------------------------------------------------------------	-----------	--------------	-------------------

Zehnder Quaro Spa Electric							
QSE-075-045/GF	833	450	white	300	11.3	£470	£564.00
QSE-120-045/GF	1281	450	white	300	15.4	£486	£583.20
QSE-120-055/GF	1281	550	white	500	17.8	£512	£614.40
QSE-150-045/GF	1537	450	white	500	17.9	£525	£630.00
QSE-150-055/GF	1537	550	white	600	20.8	£550	£660.00
QSE-180-055/GF	1857	550	white	750	25.1	£586	£703.20
QSEC-120-045/GF	1281	450	chrome	300	14.9	£807	£968.40
QSEC-120-055/GF	1281	550	chrome	300	17.4	£864	£1,036.80
QSEC-150-045/GF	1537	450	chrome	300	17.3	£925	£1,110.00
QSEC-150-055/GF	1537	550	chrome	300	20.2	£974	£1,168.80
QSEC-180-055/GF	1857	550	chrome	500	24.3	£1,064	£1,276.80

Colour finish: Standard colours from the Zehnder colour chart including matt white finish: white RAL 9016 + 25%. Colour finish and non-stock products delivery: 20 working days.



For full **CE** compliant technical specifications, refer to page 140
 To make an approximate conversion from T=50K to T=60K multiply outputs by 1.2

Zehnder Quaro Spa



The new Zehnder Quaro Spa has an elegant square profile frame and horizontal heating pipes. Beautifully designed with clarity and simplicity, even the right-angled wall brackets look cool! Generously spaced tubes give plenty of room for warming fluffy towels. Available in chrome and 3 stocked colours, as well as over 50 colours to order. Also available in electric and stainless steel versions.



Flame Red



Electric Option

Radio frequency remote programmer, see page 139



Receiver for RF controller

eco
DESIGN



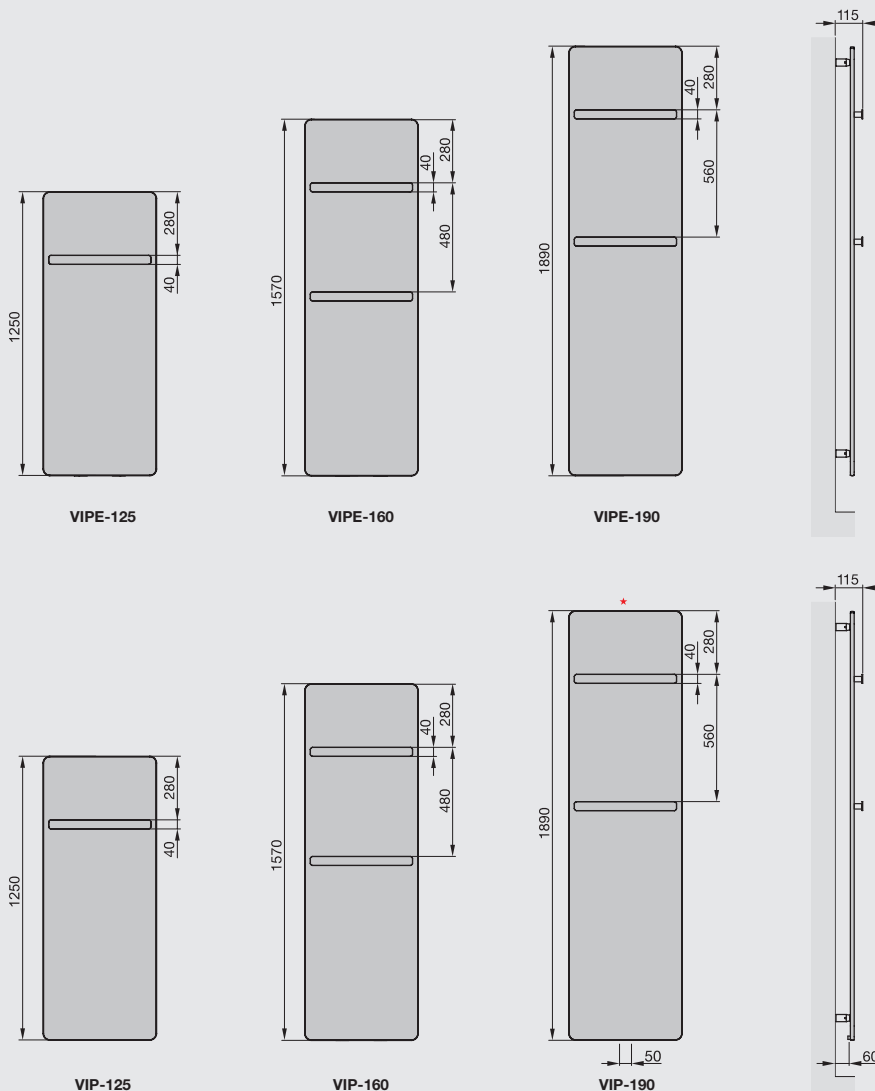
QS-120-045-0346 ANTHRACITE

Central Heating Model STOCK listed in black	Height mm	Width mm	Finish	Output $\Delta T=50K$ Watts/Btu All outputs certified to EN 442	Weight kg	RRP (ex VAT)	RRP (inc 20% VAT)
Zehnder Vitalo Bar							
VIP-125-040	1250	400	white	465/1586	7.0	£527	£632.40
VIP-125-050	1250	500	white	555/1893	8.7	£551	£661.20
VIP-125-060	1250	600	white	641/2186	10.5	£578	£693.60
VIP-160-040	1570	400	white	546/1862	9.3	£621	£745.20
VIP-160-050	1570	500	white	676/2305	11.4	£642	£770.40
VIP-160-060	1570	600	white	806/2748	13.6	£665	£798.00
VIP-190-040	1890	400	white	673/2295	10.9	£645	£774.00
VIP-190-050	1890	500	white	834/2844	12.7	£686	£823.20
VIP-190-060	1890	600	white	994/3390	14.6	£704	£844.80

Electric Heating Model	Height mm	Width mm	Finish	Watts Radio frequency remote programmer IPX4 Zone 1 Bath, Zone 2 Shower, Class II	Weight kg	RRP (ex VAT)	RRP (inc 20% VAT)
Zehnder Vitalo Bar Electric							
VIPE-125-040/GF	1250	400	white	350	7.5	£693	£831.60
VIPE-160-040/GF	1570	400	white	500	10.0	£780	£936.00
VIPE-160-050/GF	1570	500	white	500	12.0	£798	£957.60
VIPE-190-040/GF	1890	400	white	500	12.0	£790	£948.00
VIPE-190-050/GF	1890	500	white	750	14.0	£837	£1,004.40
VIPE-190-060/GF	1890	600	white	1000	16.0	£886	£1,063.20

Colour finish: Standard colours from the Zehnder colour chart including matt white finish: white RAL 9016 + 25%. Colour finish and non-stock products delivery: 20 working days.

Suitable for all low temperature systems, heat pumps and condensing boilers, open and closed systems (<80°C)



The aluminium honeycomb structure, with its meandering copper pipe, is filled with graphite, enabling heat to be distributed throughout the entire front of the radiator quickly and evenly. Suitable for all low temperature systems, heat pumps, condensing boilers, open or closed heating systems.

*1/2" air vent
Height includes air vent
F = flow
R = return
H = height
W = width
All dimensions in mm

For full CE compliant technical specifications, refer to page 140
To make an approximate conversion from T=50K to T=60K multiply outputs by 1.2

Zehnder Vitalo Bar



The Zehnder Vitalo Bar has an incredibly slim 16mm profile and is manufactured from corrosion-resistant, top quality materials. Designed by King & Miranda, the Vitalo Bar is quick-responding, economical and gives a pleasant radiant heat via its innovative, award-winning construction.



Beige Quartz



Electric Option

Radio frequency remote programmer, see page 139

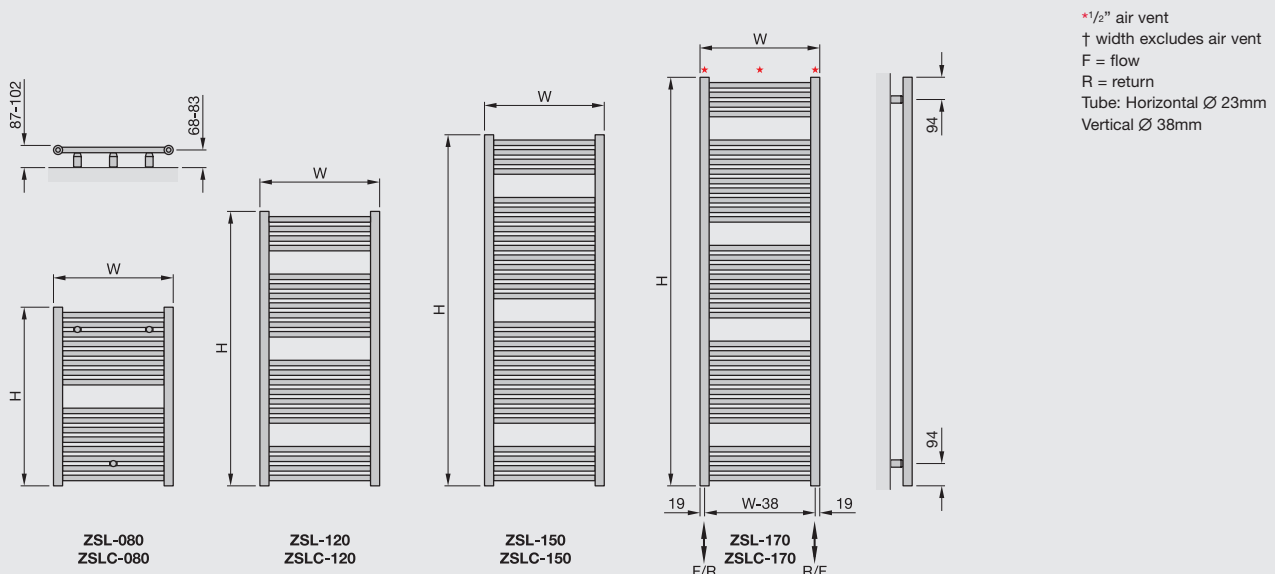


VIP-190-060 WHITE QUARTZ

Central Heating Model STOCK listed in black	Height mm	Width mm	Finish	Output $\Delta T=50K$ Watts/btu All outputs certified to EN 442	Electric Immersion Rating Watts	Weight kg	RRP (ex VAT)	RRP (inc 20% VAT)
Zehnder Klaro								
ZSL-080-045	748	450	white	354/1208	200	5.4	£119	£142.80
ZSL-080-050	748	500	white	388/1324	200	5.6	£122	£146.40
ZSL-080-060	748	600	white	455/1552	300	6.7	£131	£157.20
ZSL-120-045	1148	450	white	521/1778	300	8.1	£140	£168.00
ZSL-120-050	1148	500	white	571/1948	400	8.7	£144	£172.80
ZSL-120-060	1148	600	white	670/2286	500	9.8	£156	£187.20
ZSL-150-050	1466	500	white	716/2443	500	10.9	£179	£214.80
ZSL-150-060	1466	600	white	839/2863	500	12.3	£188	£225.60
ZSL-170-050	1708	500	white	824/2811	500	12.2	£201	£241.20
ZSL-170-060	1708	600	white	966/3296	600	14.2	£206	£247.20
ZSL-080-045-0336	748	450	volcanic	354/1208	200	5.4	£149	£178.80
ZSL-120-050-0336	1148	500	volcanic	571/1948	400	8.7	£180	£216.00
ZSL-120-060-0336	1148	600	volcanic	670/2286	500	9.8	£195	£234.00
ZSL-150-050-0336	1466	500	volcanic	716/2443	500	10.9	£224	£268.80
ZSL-150-060-0336	1466	600	volcanic	839/2863	500	12.3	£235	£282.00
ZSL-170-050-0336	1708	500	volcanic	824/2811	500	12.2	£251	£301.20
ZSL-170-060-0336	1708	600	volcanic	966/3296	600	14.2	£258	£309.60
ZSL-080-045-0523	748	450	beige quartz	354/1208	200	5.4	£149	£178.80
ZSL-120-050-0523	1148	500	beige quartz	571/1948	400	8.7	£180	£216.00
ZSL-120-060-0523	1148	600	beige quartz	670/2286	500	9.8	£195	£234.00
ZSL-150-050-0523	1466	500	beige quartz	716/2443	500	10.9	£224	£268.80
ZSL-150-060-0523	1466	600	beige quartz	839/2863	500	12.3	£235	£282.00
ZSL-170-050-0523	1708	500	beige quartz	824/2811	500	12.2	£251	£301.20
ZSL-170-060-0523	1708	600	beige quartz	966/3296	600	14.2	£258	£309.60
ZSL-080-045-0529	748	450	brown quartz	354/1208	200	5.4	£149	£178.80
ZSL-120-050-0529	1148	500	brown quartz	571/1948	400	8.7	£180	£216.00
ZSL-120-060-0529	1148	600	brown quartz	670/2286	500	9.8	£195	£234.00
ZSL-150-050-0529	1466	500	brown quartz	716/2443	500	10.9	£224	£268.80
ZSL-150-060-0529	1466	600	brown quartz	839/2863	500	12.3	£235	£282.00
ZSL-170-050-0529	1708	500	brown quartz	824/2811	500	12.2	£251	£301.20
ZSL-170-060-0529	1708	600	brown quartz	966/3296	600	14.2	£258	£309.60
ZSLC-080-050	748	500	chrome	283/966	200	5.8	£263	£315.60
ZSLC-080-060	748	600	chrome	332/1133	200	6.7	£286	£343.20
ZSLC-120-050	1148	500	chrome	417/1423	300	8.7	£337	£404.40
ZSLC-120-060	1148	600	chrome	489/1668	300	9.8	£365	£438.00
ZSLC-150-050	1466	500	chrome	475/1621	300	10.5	£433	£519.60
ZSLC-150-060	1466	600	chrome	560/1911	400	12.1	£468	£561.60
ZSLC-170-050	1708	500	chrome	601/2050	400	12.2	£499	£598.80
ZSLC-170-060	1708	600	chrome	705/2405	500	14.2	£541	£649.20

⚡ Dual Energy: Self Fit - Additional cost to Central Heating model prices see page 140 for details

🎨 Colour finish: Standard colours from the Zehnder colour chart including matt white finish: white RAL 9016 + 25%. Colour finish and non-stock products delivery: 20 working days.



For full **CE** compliant technical specifications, refer to page 140
 To make an approximate conversion from T=50K to T=60K multiply outputs by 1.2

Zehnder Klaro




Affordable style combined with simplicity, suitable for central heating systems or with an immersion heater for summer use when the central heating is turned off.



Chrome




ZSL-120-050-0336 VOLCANIC

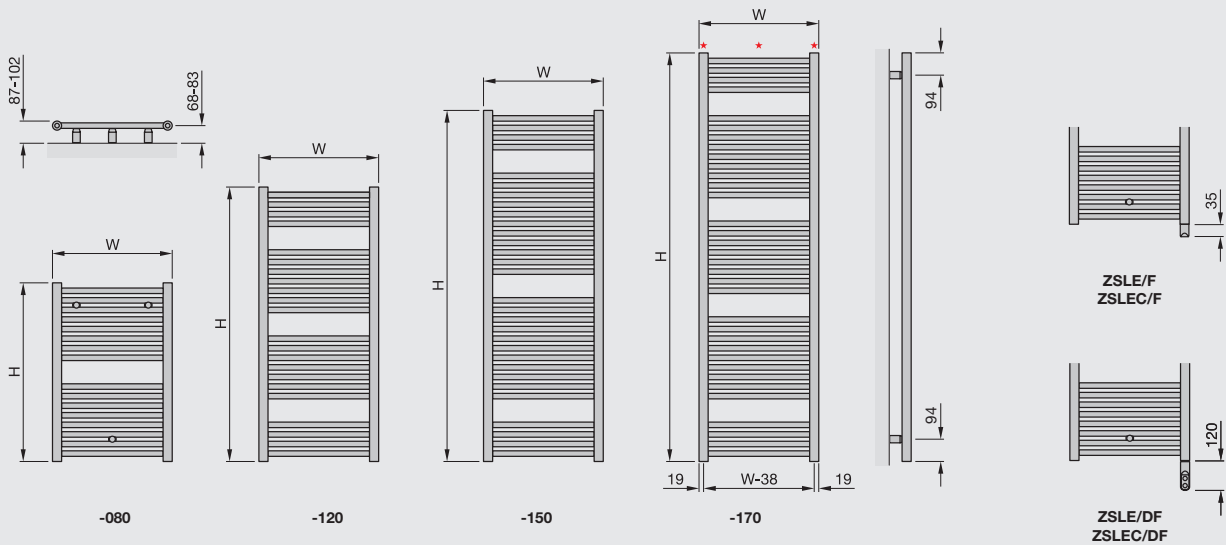
Height mm	Width mm	Finish	Weight kg	Simple electric immersion heater Class II IPX4 Zones 1 and 2				DBM immersion heater Class II IPX4 Zones 1 and 2			
				Model STOCK listed in black	Electric rating	RRP (ex VAT)	RRP (inc 20% VAT)	Model STOCK listed in black	Electric rating	RRP (ex VAT)	RRP (inc 20% VAT)
 Zehnder Klaro electric only models (with a choice of either a simple immersion heater (no controls) or the DBM immersion heater)											
748	450	white	9.00	ZSLE-080-045/F	200	£240	£288.00	ZSLE-080-045/DF	300	£296	£355.20
748	500	white	9.66	ZSLE-080-050/F	400	£243	£291.60	ZSLE-080-050/DF	300	£300	£360.00
748	600	white	11.00	ZSLE-080-060/F	400	£252	£302.40	ZSLE-080-060/DF	300	£308	£369.60
1148	500	white	14.53	ZSLE-120-050/F	400	£265	£318.00	ZSLE-120-050/DF	500	£321	£385.20
1148	600	white	16.43	ZSLE-120-060/F	500	£279	£334.80	ZSLE-120-060/DF	600	£335	£402.00
1708	500	white	20.67	ZSLE-170-050/F	600	£322	£386.40	ZSLE-170-050/DF	750	£379	£454.80
1708	600	white	23.80	ZSLE-170-060/F	600	£329	£394.80	ZSLE-170-060/DF	900	£385	£462.00
748	500	chrome	9.66	ZSLEC-080-050/F	200	£350	£420.00	ZSLEC-080-050/DF	200	£433	£519.60
748	600	chrome	11.00	ZSLEC-080-060/F	200	£372	£446.40	ZSLEC-080-060/DF	300	£454	£544.80
1148	500	chrome	14.53	ZSLEC-120-050/F	400	£416	£499.20	ZSLEC-120-050/DF	300	£498	£597.60
1148	600	chrome	16.43	ZSLEC-120-060/F	400	£439	£526.80	ZSLEC-120-060/DF	300	£521	£625.20
1708	500	chrome	20.67	ZSLEC-170-050/F	400	£555	£666.00	ZSLEC-170-050/DF	500	£638	£765.60
1708	600	chrome	23.80	ZSLEC-170-060/F	500	£592	£710.40	ZSLEC-170-060/DF	600	£674	£808.80

The immersion heater is fitted to the right hand header.

Note: Height does not include the immersion heater. (See diagrams below)

 **Colour finish:** Standard colours from the Zehnder colour chart including matt white finish: white RAL 9016 + 25%. Colour finish and non-stock products delivery: 20 working days.

H = height
 W = width
 Tube: Horizontal Ø 23mm
 Tube: Vertical Ø 38mm
 All dimensions in mm



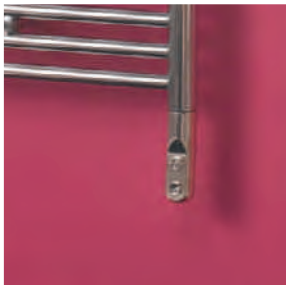
Zehnder Klaro



The Zehnder Klaro electric range with its choice of immersion heaters and availability of colours offers a flexible solution to your bathroom heating requirements.



Volcanic



DBM Immersion Heater



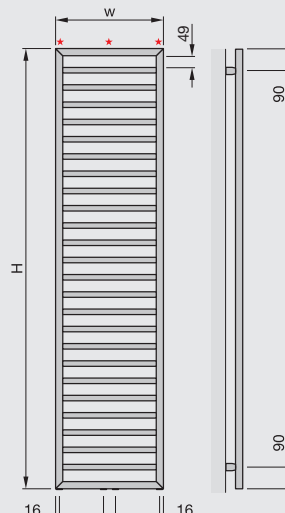
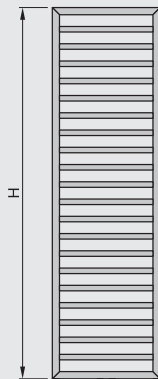
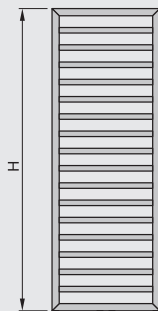
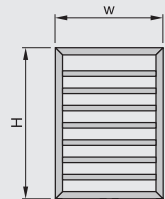
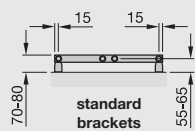
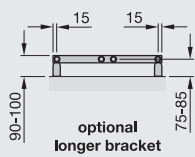
Central Heating Model STOCK listed in black	Height mm	Width mm	Finish	Output $\Delta T=50K$ Watts/btu All outputs certified to EN 442	Electric Immersion Rating Watts	Weight kg	RRP (ex VAT)	RRP (inc 20% VAT)
Zehnder Subway								
SUB-060-045	613	450	white	310/1058	200	5.2	£178	£213.60
SUB-100-045	973	450	white	401/1368	300	6.7	£191	£229.20
SUB-100-060	973	600	white	499/1703	300	8.3	£208	£249.60
SUB-130-045	1261	450	white	509/1737	300	8.6	£212	£254.40
SUB-130-060	1261	600	white	639/2180	400	10.5	£236	£283.20
SUB-150-045	1549	450	white	615/2098	400	10.6	£248	£297.60
SUB-150-060	1549	600	white	772/2634	500	12.5	£276	£331.20
SUB-180-045	1837	450	white	715/2440	500	12.2	£280	£336.00
SUB-180-060	1837	600	white	898/3064	600	14.7	£310	£372.00
SUBC-060-045	613	450	chrome	205/699	100	5.0	£387	£464.40
SUBC-100-045	973	450	chrome	265/904	200	6.5	£496	£595.20
SUBC-100-060	973	600	chrome	329/1123	200	8.1	£562	£674.40
SUBC-130-045	1261	450	chrome	335/1143	200	8.4	£563	£675.60
SUBC-130-060	1261	600	chrome	406/1385	300	10.2	£623	£747.60
SUBC-150-045	1549	450	chrome	420/1433	300	10.1	£664	£797.80
SUBC-150-060	1549	600	chrome	508/1733	300	12.3	£737	£884.40
SUBC-180-045	1837	450	chrome	485/1655	300	11.8	£742	£890.40
SUBC-180-060	1837	600	chrome	592/2020	400	14.3	£826	£991.20

Dual Energy: Self Fit - Additional cost to Central Heating model prices. See page 138 for details

Colour finish: Standard colours from the Zehnder colour chart including matt white finish: white RAL 9016 + 25%. Colour finish and non-stock products delivery: 20 working days.

Optional wall brackets: Increases space behind rail by 20mm

Model		RRP (ex VAT)	RRP (inc 20% VAT)
952111	Subway SUB extended bracket kit. White finish.	£41	£49.20
952118	Subway SUBC extended bracket kit. Chrome finish.	£41	£49.20
952119	Subway SUB extended bracket kit. Colour finish.	£41	£49.20



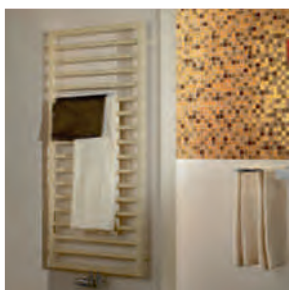
*1/2" air vent
Height excludes air vent
F = flow
R = return
H = height
W = width
Tube: Horizontal \varnothing 23mm
Tube: Vertical 30x30mm
All dimensions in mm

For full **CE** compliant technical specifications, refer to page 140
To make an approximate conversion from T=50K to T=60K multiply outputs by 1.2

Zehnder Subway



The elegance and simplicity of the white and chrome Zehnder Subway are popular choices for modern bathrooms.



Sand Quartz



SUBC-150-045 CHROME

Central Heating Model STOCK listed in black	Height mm	Width mm	Finish	Output $\Delta T=50K$ Watts/btu All outputs certified to EN 442	Electric Immersion Rating Watts	Weight kg	RRP (ex VAT)	RRP (inc 20% VAT)
Zehnder Subway								
SUB-060-045-0336	613	450	volcanic	310/1058	200	5.2	£223	£267.60
SUB-100-045-0336	973	450	volcanic	401/1368	300	6.7	£239	£286.80
SUB-100-060-0336	973	600	volcanic	499/1703	300	8.3	£260	£312.00
SUB-130-045-0336	1261	450	volcanic	509/1737	300	8.6	£265	£318.00
SUB-130-060-0336	1261	600	volcanic	639/2180	400	10.5	£295	£354.00
SUB-150-060-0336	1549	600	volcanic	772/2634	500	12.5	£345	£414.00
SUB-180-045-0336	1837	450	volcanic	715/2440	500	14.7	£350	£420.00
SUB-060-045-0523	613	450	beige quartz	310/1058	200	5.2	£223	£267.60
SUB-100-045-0523	973	450	beige quartz	401/1368	300	6.7	£239	£286.80
SUB-100-060-0523	973	600	beige quartz	499/1703	300	8.3	£260	£312.00
SUB-130-045-0523	1261	450	beige quartz	509/1737	300	8.6	£265	£318.00
SUB-130-060-0523	1261	600	beige quartz	639/2180	400	10.5	£295	£354.00
SUB-150-060-0523	1549	600	beige quartz	772/2634	500	12.5	£345	£414.00
SUB-180-045-0523	1837	450	beige quartz	715/2440	500	14.7	£350	£420.00
SUB-060-045-0335	613	450	titane	310/1058	200	5.2	£223	£267.60
SUB-100-045-0335	973	450	titane	401/1368	300	6.7	£239	£286.80
SUB-100-060-0335	973	600	titane	499/1703	300	8.3	£260	£312.00
SUB-130-045-0335	1261	450	titane	509/1737	300	8.6	£265	£318.00
SUB-130-060-0335	1261	600	titane	639/2180	400	10.5	£295	£354.00
SUB-150-060-0335	1549	600	titane	772/2634	500	12.5	£345	£414.00
SUB-180-045-0335	1837	450	titane	715/2440	500	14.7	£350	£420.00
SUB-060-045-0557	613	450	matt black	310/1058	200	5.2	£223	£267.60
SUB-100-045-0557	973	450	matt black	401/1368	300	6.7	£239	£286.80
SUB-100-060-0557	973	600	matt black	499/1703	300	8.3	£260	£312.00
SUB-130-045-0557	1261	450	matt black	509/1737	300	8.6	£265	£318.00
SUB-130-060-0557	1261	600	matt black	639/2180	400	10.5	£295	£354.00
SUB-150-060-0557	1549	600	matt black	772/2634	500	12.5	£345	£414.00
SUB-180-045-0557	1837	450	matt black	715/2440	500	14.7	£350	£420.00

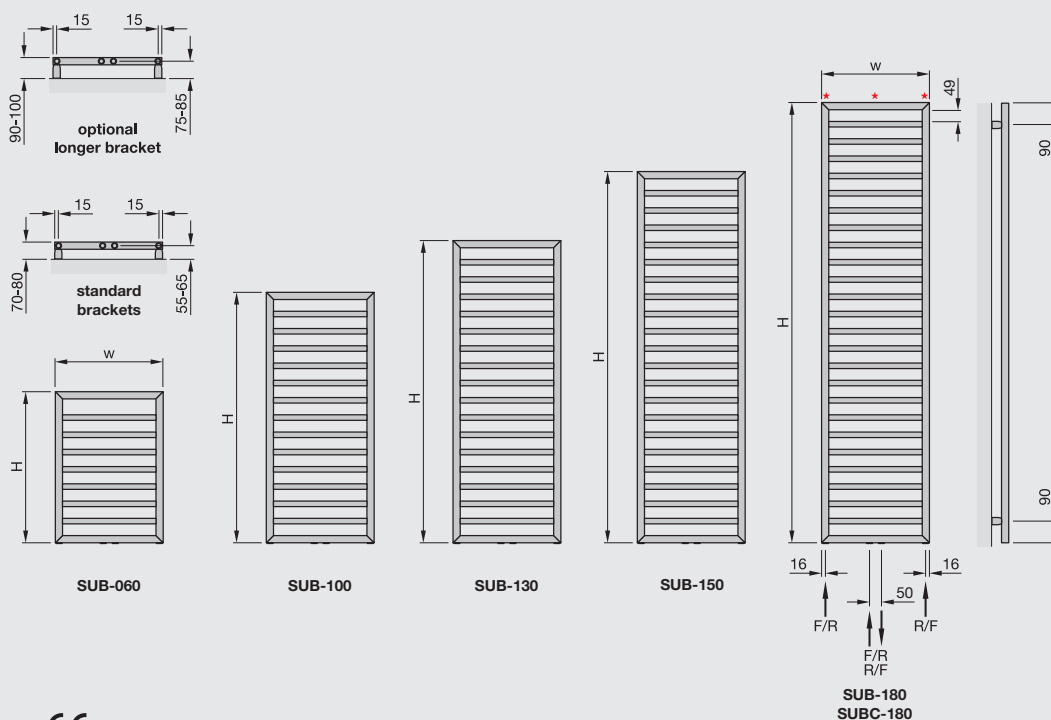
⚡ Dual Energy: Self Fit - Additional cost to Central Heating model prices. See page 138 for details

🎨 Colour finish: Standard colours from the Zehnder colour chart including matt white finish: white RAL 9016 + 25%. Colour finish and non-stock products delivery: 20 working days.

Optional wall brackets: Increases space behind rail by 20mm

Model	RRP (ex VAT)	RRP (inc 20% VAT)
952119 Subway SUB extended bracket kit. Colour finish.	£41	£49.20

*1/2" air vent
 Height excludes air vent
 F = flow
 R = return
 H = height
 W = width
 Tube: Horizontal \varnothing 23mm
 Tube: Vertical 30x30mm
 All dimensions in mm



For full **CE** compliant technical specifications, refer to page 140
 To make an approximate conversion from T=50K to T=60K multiply outputs by 1.2

Zehnder Subway



With its classic lines and broad appeal, the contemporary Zehnder Subway towel rail offers comfort and superb design in colour finishes, chrome and stainless steel.



Beige Quartz



SUB-150-060-0336 VOLCANIC

Electric Heating Model STOCK listed in black	Height mm	Width mm	Finish	Simple Electric Immersion heater Rating Watts Class II IPX4 Zones 1 and 2	Weight kg	RRP (ex VAT)	RRP (inc 20% VAT)
⚡ Zehnder Subway Electric							
SUBE-130-045/F	1261	450	white	500	13.1	£288	£345.60
SUBE-150-045/F	1549	450	white	600	16.0	£334	£400.80
SUBE-150-060/F	1549	600	white	750	19.7	£364	£436.80
SUBE-180-060/F	1837	600	white	900	22.4	£405	£486.00
SUBEC-130-045/F	1261	450	chrome	300	12.9	£659	£790.80
SUBEC-150-045/F	1549	450	chrome	300	15.5	£771	£925.20
SUBEC-150-060/F	1549	600	chrome	500	19.5	£853	£1023.60
SUBEC-180-060/F	1837	600	chrome	600	22.0	£948	£1,137.60

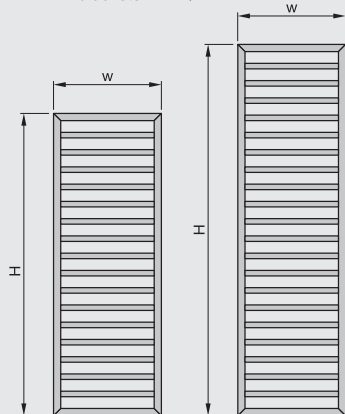
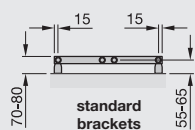
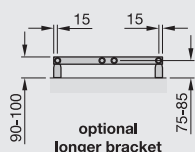
Electric Heating Model	Height mm	Width mm	Finish	Watts Radio frequency remote programmer IPX4 Zone 1 Bath, Zone 2 Shower, Class II	Weight kg	RRP (ex VAT)	RRP (inc 20% VAT)
⚡ Zehnder Subway Electric							
SUBE-130-045/GF	1261	450	white	500	12.6	£541	£649.20
SUBE-150-045/GF	1549	450	white	600	15.3	£589	£706.80
SUBE-150-060/GF	1549	600	white	750	18.3	£646	£775.20
SUBE-180-060/GF	1837	600	white	900	21.3	£701	£841.20
SUBEC-130-045/GF	1351	450	chrome	300	12.6	£940	£1,128.00
SUBEC-150-045/GF	1549	450	chrome	300	15.3	£1,089	£1,306.80
SUBEC-150-060/GF	1549	600	chrome	500	18.3	£1,196	£1,435.20
SUBEC-180-060/GF	1837	600	chrome	600	21.3	£1,302	£1,562.40

The immersion heater is fitted to the right hand header.

Note: Height does not include the immersion heater. (See diagrams below)

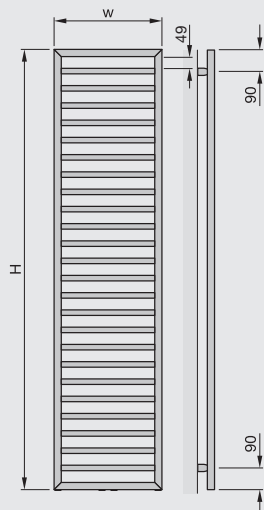
🎨 Colour finish: Standard colours from the Zehnder colour chart including matt white finish: white RAL 9016 + 25%. Colour finish and non-stock products delivery: 20 working days.

H = height
W = width
Tube: Horizontal Ø 23mm
Tube: Vertical 30x30mm
All dimensions in mm

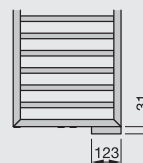


SUBE-130
SUBEC-130

SUBE-150
SUBEC-150



SUBE-180
SUBEC-180



SUBE/F
SUBEC/GF
SUBE/GF
SUBEC/F

Zehnder Subway



The simple elegance of the Subway in its electric form is maintained with either a simple immersion heater or a radio frequency remote programmer.



Chrome



eco
DESIGN

Electric Option

Radio frequency remote programmer, see page 139

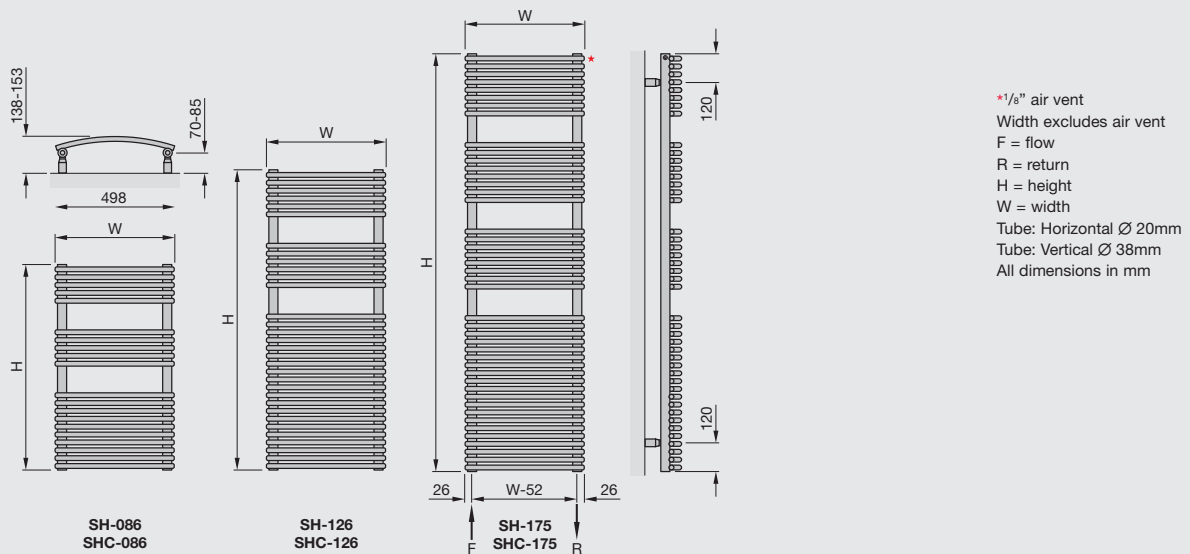


SUBEC-180-060/GF VOLCANIC

Central Heating Model STOCK listed in black	Height mm	Width mm	Finish	Output $\Delta T=50K$ Watts/btu All outputs certified to EN 442	Electric Immersion Rating Watts	Weight kg	RRP (ex VAT)	RRP (inc 20% VAT)
Zehnder Sfera Bow								
SH-086-050	859	498	white	460/1569	300	8.0	£180	£216.00
SH-086-060	859	593	white	554/1890	300	9.2	£204	£244.80
SH-126-050	1255	498	white	710/2423	500	12.5	£208	£249.60
SH-126-060	1255	593	white	850/2900	600	14.4	£230	£276.00
SH-175-050	1750	498	white	946/3228	600	17.3	£277	£332.40
SH-175-060	1750	593	white	1126/3841	750	19.8	£302	£362.40
SH-086-050-0346	859	498	anthracite	460/1569	300	8.0	£225	£270.00
SH-086-060-0346	859	593	anthracite	554/1890	300	9.2	£255	£306.00
SH-126-050-0346	1255	498	anthracite	710/2423	500	12.5	£260	£312.00
SH-126-060-0346	1255	593	anthracite	850/2900	600	14.4	£288	£345.60
SH-175-050-0346	1750	498	anthracite	946/3228	600	17.3	£346	£415.20
SH-175-060-0346	1750	593	anthracite	1126/3841	750	19.8	£378	£453.60
SH-086-050-0523	859	498	beige quartz	460/1569	300	8.0	£225	£270.00
SH-086-060-0523	859	593	beige quartz	554/1890	300	9.2	£255	£306.00
SH-126-050-0523	1255	498	beige quartz	710/2423	500	12.5	£260	£312.00
SH-126-060-0523	1255	593	beige quartz	850/2900	600	14.4	£288	£345.60
SH-175-050-0523	1750	498	beige quartz	946/3228	600	17.3	£346	£415.20
SH-175-060-0523	1750	593	beige quartz	1126/3841	750	19.8	£378	£453.60
SHC-086-050	859	498	chrome	316/1078	200	8.0	£340	£408.00
SHC-086-060	859	593	chrome	350/1194	200	9.2	£384	£460.80
SHC-126-050	1255	498	chrome	476/1624	300	12.5	£412	£494.40
SHC-126-060	1255	593	chrome	573/1955	300	14.4	£461	£533.20
SHC-175-050	1750	498	chrome	650/2218	500	17.3	£591	£709.20
SHC-175-060	1750	593	chrome	775/2644	500	19.8	£661	£793.20

Dual Energy: Self Fit - Additional cost to Central Heating model: see page 138 for details

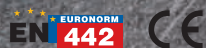
Colour finish: Standard colours from the Zehnder colour chart including matt white finish: white RAL 9016 + 25%. Colour finish and non-stock products delivery: 20 working days.



Zehnder Sfera Bow



The sophisticated elegance and gently curved, slender tubes of the Zehnder Sfera Bow combines aesthetic appeal with efficient drying space.



SH-126-060-0346 ANTHRACITE

Central Heating Model STOCK listed in black	Height mm	Width mm	Finish	Output $\Delta T=50K$ Watts/btu All outputs certified to EN 442	Electric Immersion Rating Watts	Weight kg	RRP (ex VAT)	RRP (inc 20% VAT)
🔥 Zehnder Yucca Asym Single (Horizontal tubes on left or right)								
YA-090-050	872	478	white	351/1197	200	9.2	£336	£403.20
YA-130-040	1304	378	white	430/1466	300	11.3	£445	£534.00
YA-130-050	1304	478	white	517/1763	300	13.6	£452	£542.40
YA-130-060	1304	578	white	599/2043	400	15.9	£464	£556.80
YA-170-040	1736	378	white	571/1947	400	15.0	£451	£541.20
YA-170-050	1736	478	white	686/2339	500	18.1	£489	£585.80
YA-170-060	1736	578	white	795/2711	500	21.1	£498	£597.60
YAC-090-050	872	478	chrome	254/866	150	9.2	£944	£1,132.80
YAC-130-040	1304	378	chrome	308/1050	200	11.3	£1,000	£1,200.00
YAC-130-050	1304	478	chrome	371/1265	200	13.6	£1,031	£1,237.20
YAC-130-060	1304	578	chrome	432/1473	300	15.9	£1,039	£1,246.80
YAC-170-040	1736	378	chrome	408/1391	300	15.0	£1,112	£1,334.40
YAC-170-050	1736	478	chrome	492/1678	300	18.1	£1,135	£1,362.00
YAC-170-060	1736	578	chrome	572/1951	300	21.1	£1,152	£1,382.40

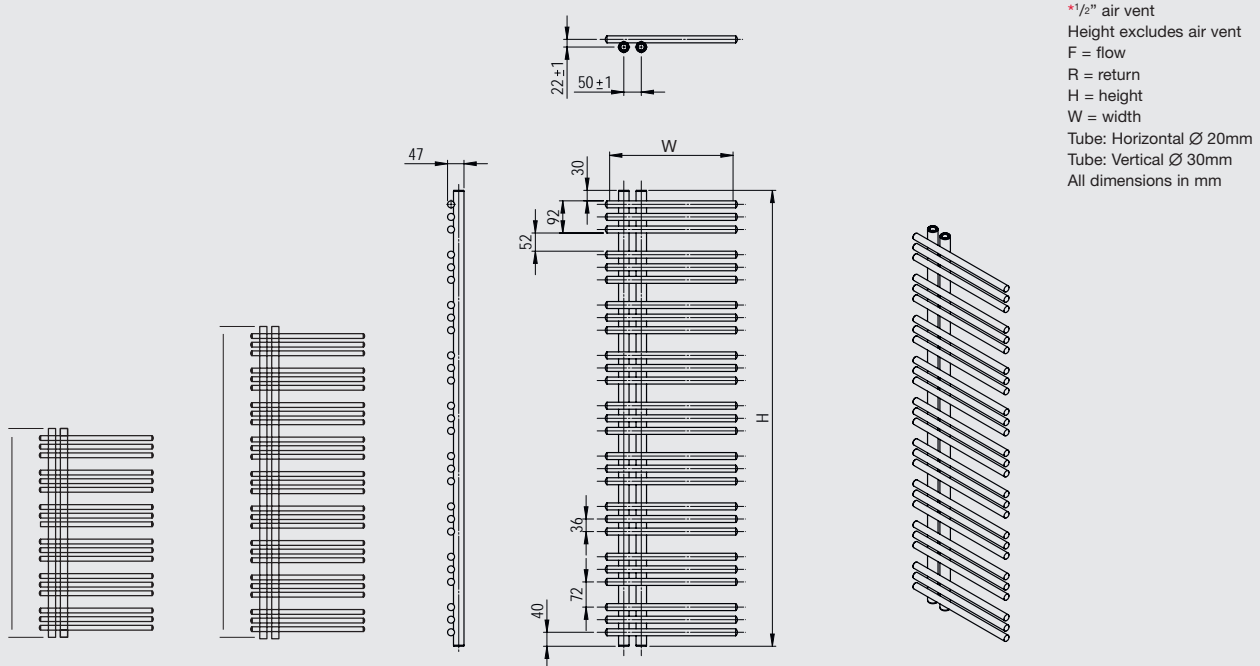
🔥 Zehnder Yucca Asym Double (Not available in chrome. Horizontal tubes on left or right)								
YAD-130-040	1304	378	white	628/2141	400	19.7	£542	£650.40
YAD-130-060	1304	578	white	893/3045	600	28.9	£556	£667.20
YAD-170-040	1736	378	white	825/2813	500	26.2	£607	£728.40
YAD-170-050	1736	478	white	1002/3417	600	32.3	£698	£837.60
YAD-170-060	1736	578	white	1173/4000	750	38.4	£744	£892.80

🔥 Dual Energy: Self Fit - (Additional cost to Central Heating model prices) See page 139 for details

🎨 Colour finish: Standard colours from the Zehnder colour chart including matt white finish: white RAL 9016 + 25%. Colour finish and non-stock products delivery: 17 working days.

YAC-130

Accessories			
Model		RRP (ex VAT)	RRP (inc 20% VAT)
Room divider bracket (to be ordered with radiator where required)			
936011	white	£89	£106.80
936018	chrome	£127	£152.40
936019 + colour code	colour	£112	£134.40
Special lengths brackets made to order (price on application)			



YA-130

For full **CE** compliant technical specifications, refer to page 140
 To make an approximate conversion from T=50K to T=60K multiply outputs by 1.2

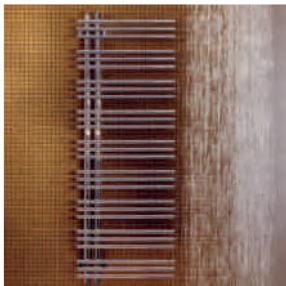
Zehnder Yucca Asym



Beautiful, practical and available single or double tubed, in white, colour or chrome, the Zehnder Yucca Asym can also be installed perpendicular to the wall to create a partition.



Zehnder Yucca as a room divider



Valves: see page 132



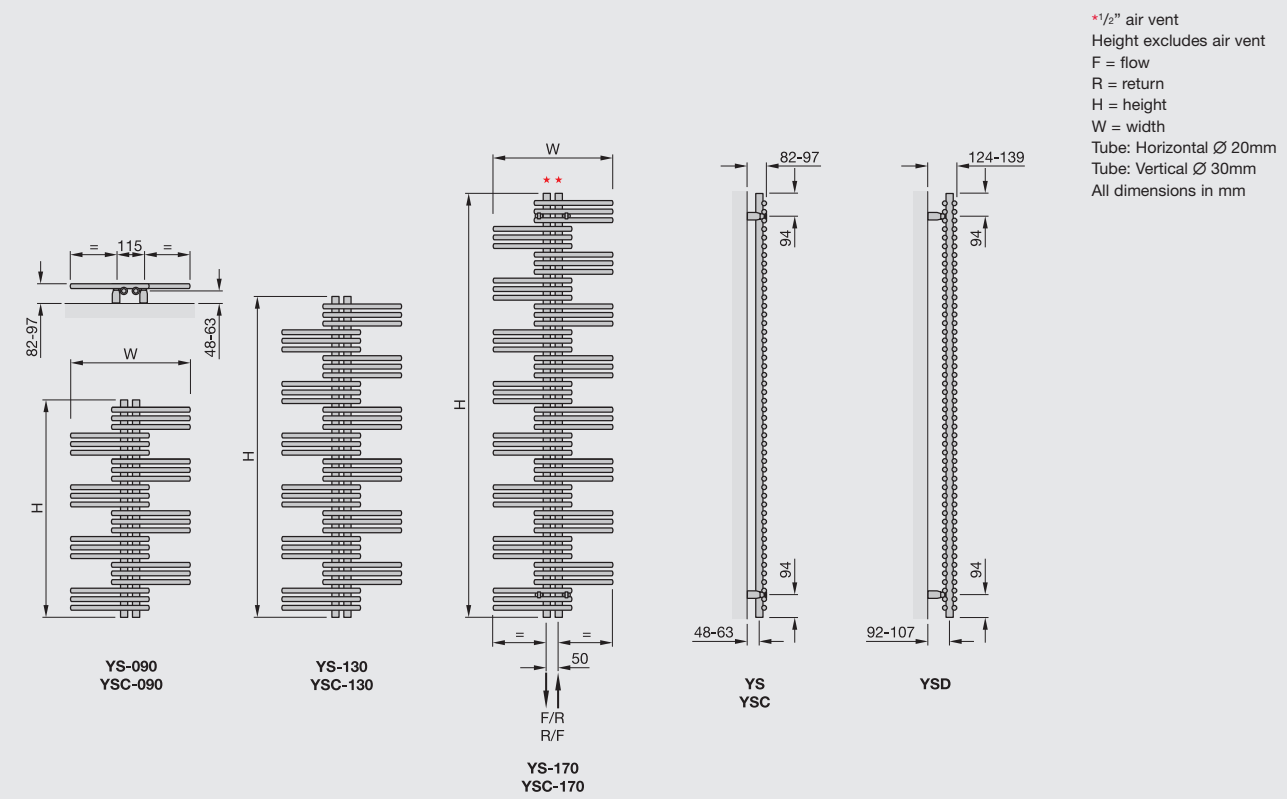
YA-170-050 VOLCANIC

Central Heating Model STOCK listed in black	Height mm	Width mm	Finish	Output $\Delta T=50K$ Watts/btu All outputs certified to EN 442	Electric Immersion Rating Watts	Weight kg	RRP (ex VAT)	RRP (inc 20% VAT)
Zehnder Yucca Sym Single								
YS-090-050	908	500	white	324/1105	200	8.4	£345	£414.00
YS-130-050	1340	500	white	477/1628	300	12.6	£437	£524.40
YS-130-060	1340	600	white	541/1846	300	14.2	£463	£555.60
YS-130-080	1340	800	white	661/2255	500	17.2	£503	£603.60
YS-180-050	1772	500	white	621/2119	400	16.8	£495	£594.00
YS-180-060	1772	600	white	706/2409	500	18.8	£511	£613.20
YS-180-080	1772	800	white	863/2945	600	22.9	£555	£666.00
YSC-090-050	908	500	chrome	229/781	150	8.4	£954	£1,144.80
YSC-130-050	1340	500	chrome	330/1125	200	12.6	£1,000	£1,200.00
YSC-130-060	1340	600	chrome	377/1286	300	14.2	£1,084	£1,300.00
YSC-130-080	1340	800	chrome	465/1586	300	17.2	£1,143	£1,371.60
YSC-180-050	1772	500	chrome	431/1470	300	16.8	£1,065	£1,278.00
YSC-180-060	1772	600	chrome	493/1681	300	18.8	£1,156	£1,387.20
YSC-180-080	1772	800	chrome	608/2073	400	22.9	£1,208	£1,449.60

Zehnder Yucca Sym Double (not available in chrome)								
YSD-130-050	1340	500	white	717/2446	500	22.3	£526	£631.20
YSD-130-060	1340	600	white	823/2808	500	25.3	£588	£705.60
YSD-130-080	1340	800	white	1024/3494	600	31.4	£638	£765.60
YSD-180-050	1772	500	white	926/3159	600	29.6	£615	£738.00
YSD-180-060	1772	600	white	1063/3627	600	33.7	£733	£879.60
YSD-180-080	1772	800	white	1322/4511	900	41.8	£782	£938.40

Dual Energy: Self Fit - (Additional cost to Central Heating model prices) See page 138 for details

Colour finish: Standard colours from the Zehnder colour chart including matt white finish: white RAL 9016 + 25%. Colour finish and non-stock products delivery: 20 working days.



For full **CE** compliant technical specifications, refer to page 140
 To make an approximate conversion from T=50K to T=60K multiply outputs by 1.2

Zehnder Yucca Sym



A celebrated patented design, the stunning Zehnder Yucca is available single or double-tubed in white and colour, and single-tubed in chrome.



Valves: see page 132



YSC-130-060 CHROME

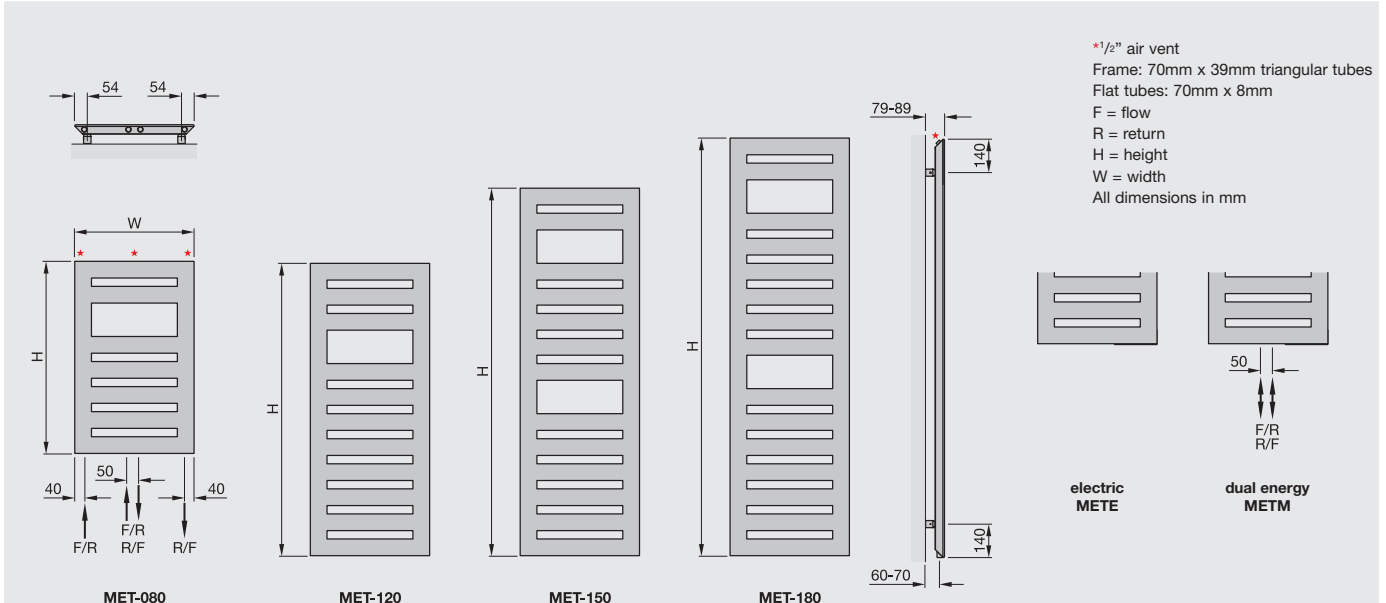
Central Heating Model STOCK listed in black	Height mm	Width mm	Finish	Output $\Delta T=50K$ Watts/btu All outputs certified to EN 442	Electric Immersion Rating Watts	Weight kg	RRP (ex VAT)	RRP (inc 20% VAT)
Zehnder Metropolitan Spa								
MET-080-040	805	400	white	327/1115	250	6.5	£343	£411.60
MET-080-050	805	500	white	388/1324	300	7.8	£350	£420.00
MET-080-060	805	600	white	445/1518	300	9.1	£362	£434.40
MET-120-040	1225	400	white	474/1617	300	9.8	£427	£512.40
MET-120-050	1225	500	white	561/1914	400	11.7	£437	£524.40
MET-120-060	1225	600	white	645/2201	400	13.5	£451	£541.20
MET-150-040	1540	400	white	582/1986	400	11.5	£506	£607.20
MET-150-050	1540	500	white	690/2354	500	13.5	£516	£619.20
MET-180-050	1750	500	white	775/2644	500	16.3	£577	£692.40
MET-180-060	1750	600	white	889/3033	600	19.0	£595	£714.00

Dual Energy Heating Model	Height mm	Width mm	Output $\Delta T=50K$ Watts/btu All outputs certified to EN 442	Radio Frequency Remote Programmer IPX4-IK09 (suitable for Zone 1 bath, Zone 2 shower) Electric Rating (Watts)	Weight kg	RRP (ex VAT)	RRP (inc 20% VAT)
Zehnder Metropolitan Spa Dual energy (factory fitted) White RAL 9016							
METM-080-040/GF	805	400	327/1115	300	7.0	£637	£764.40
METM-120-040/GF	1225	400	474/1617	500	10.3	£705	£846.00
METM-120-050/GF	1225	500	561/1914	500	12.2	£721	£865.20
METM-120-060/GF	1225	600	645/2201	600	14.0	£742	£890.40
METM-150-050/GF	1540	500	690/2354	600	14.0	£804	£964.80
METM-150-060/GF	1540	600	792/2702	750	16.1	£828	£993.60
METM-180-050/GF	1750	500	775/2644	750	16.8	£860	£1,032.00

Electric Heating Model	Height mm	Width mm	Finish	Radio Frequency Remote Programmer IPX4-IK09 (suitable for Zone 1 bath, Zone 2 shower) Electric Rating (Watts)	Weight kg	RRP (ex VAT)	RRP (inc 20% VAT)
Zehnder Metropolitan Spa Electric							
METE-080-040/GF	805	400	white	300	9.4	£656	£787.20
METE-120-040/GF	1225	400	white	500	13.8	£720	£864.00
METE-120-050/GF	1225	500	white	500	16.0	£732	£878.40
METE-120-060/GF	1225	600	white	600	18.3	£755	£906.00
METE-150-050/GF	1540	500	white	600	18.5	£820	£984.00
METE-150-060/GF	1540	600	white	750	21.1	£843	£1,011.60
METE-180-050/GF	1750	500	white	750	22.4	£876	£1,051.20

Accessories			
Model		RRP (ex VAT)	RRP (inc 20% VAT)
468038	Towel-bar for 400 mm width radiator, chrome plated	£98	£117.60
468048	Towel-bar for 500 mm width radiator, chrome plated	£100	£120.00
468058	Towel-bar for 600 mm width radiator, two fixing points, chrome plated	£103	£123.60
480438	Set of hooks (2 pcs.), to clip on, chrome plated	£44	£52.80

Colour finish: Standard colours from the Zehnder colour chart including matt white finish: white RAL 9016 + 25%. Colour finish and non-stock products delivery: 20 working days.



For full **CE** compliant technical specifications, refer to page 140
 To make an approximate conversion from T=50K to T=60K multiply outputs by 1.2

Zehnder Metropolitan Spa



The Zehnder Metropolitan Spa towel radiator brings an elegant, spa style to modern bathrooms and kitchens. Connections and air vents are neatly hidden to maintain the formality and purity of the design. Geometric cut-outs create an attractive shape with plenty of space for towels to dry.



White Quartz



Also available as a room radiator see page 91



Electric Option

Radio frequency remote programmer, see page 139



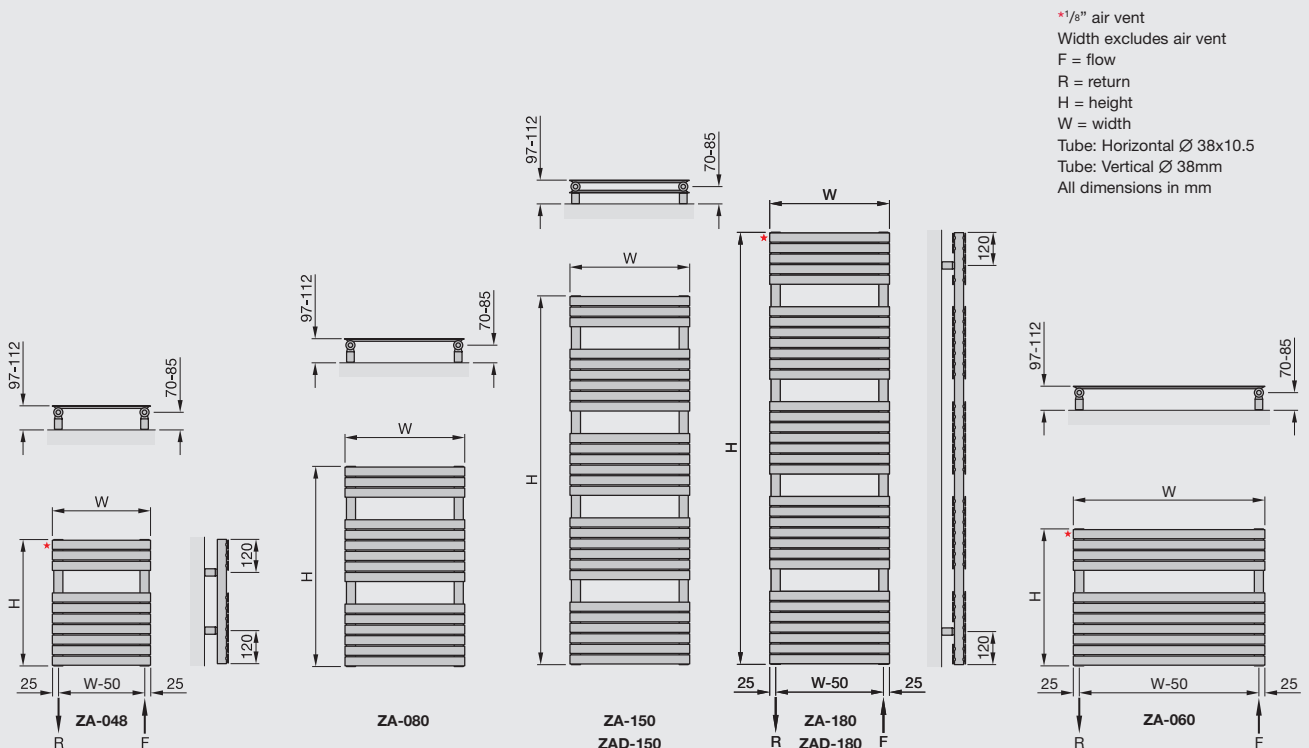
MET-150-050 ORANGE QUARTZ

Central Heating Model STOCK listed in black	Height mm	Width mm	Finish	Output $\Delta T=50K$ Watts/btu All outputs certified to EN 442	Electric Immersion Rating Watts	Weight kg	RRP (ex VAT)	RRP (inc 20% VAT)
Zehnder Ax Spa Single tube (Cloakroom size - see pages 8/9)								
ZA-048-040	484	400	white	230/785	n/a	4.5	£174	£208.80
ZA-048-040-0336	484	400	volcanic	230/785	n/a	4.5	£218	£261.60
ZA-048-040-0523	484	400	beige quartz	230/785	n/a	4.5	£218	£261.60
ZA-048-040-0529	484	400	brown quartz	230/785	n/a	4.5	£218	£261.60
Zehnder Ax Spa Single tube								
ZA-060-080	575	800	white	458/1563	300	10.2	£369	£442.80
ZA-060-090	575	900	white	515/1757	300	11.3	£416	£499.20
ZA-060-100	575	1000	white	573/1955	300	12.4	£461	£553.20
ZA-060-120	575	1200	white	687/2344	500	14.5	£551	£661.20
ZA-080-050	836	500	white	427/1457	300	8.6	£393	£471.60
ZA-120-050	1188	500	white	586/1999	300	12.0	£475	£570.00
ZA-120-060	1188	600	white	685/2337	500	13.7	£526	£631.20
ZA-150-040	1540	400	white	614/2095	400	12.3	£531	£637.20
ZA-150-050	1540	500	white	738/2518	500	14.4	£566	£679.20
ZA-180-050	1804	500	white	884/3016	600	18.6	£679	£814.80
ZA-060-080-0336	575	800	volcanic	458/1563	300	10.2	£461	£553.20
ZA-060-090-0336	575	900	volcanic	515/1757	300	11.3	£520	£624.00
ZA-060-080-0523	575	800	beige quartz	458/1563	300	10.2	£461	£553.20
ZA-060-090-0523	575	900	beige quartz	515/1757	300	11.3	£520	£624.00
ZA-060-080-0529	575	800	brown quartz	458/1563	300	10.2	£461	£553.20
ZA-060-090-0529	575	900	brown quartz	515/1757	300	11.3	£520	£624.00
Zehnder Ax Spa Double tube								
ZAD-150-050	1540	500	white	1049/3579	n/a	25.3	£842	£1,010.40
ZAD-180-050	1804	500	white	1262/4306	n/a	30.5	£1,059	£1,270.80
ZAD-180-060	1804	600	white	1485/5067	n/a	35.6	£1,135	£1,362.00

Projection: 97-112mm

Dual energy: Self fit - (additional cost to central heating model prices). Not available for ZAD.

Colour finish: Standard colours from the Zehnder colour chart including matt white finish: white RAL 9016 + 25%. Colour finish and non-stock products delivery: 18 working days.



For full **CE** compliant technical specifications, refer to page 140
 To make an approximate conversion from T=50K to T=60K multiply outputs by 1.2

Zehnder Ax Spa



With its single or double tube options, the unique Zehnder Ax Spa can meet all bathroom-heating requirements. It is also available as an oil-filled electric radiator.



ZA-150-050 TRAFFIC WHITE



Valves: see page 132



ZA-060-080-0336 VOLCANIC

AX SPA CHROME AND ELECTRIC

Central Heating Model STOCK listed in black	Height mm	Width mm	Finish	Output $\Delta T=50K$ Watts/btu All outputs certified to EN 442	Electric Immersion Rating Watts	Weight kg	RRP (ex VAT)	RRP (inc 20% VAT)
Zehnder Ax Spa Single tube								
ZAC-080-050	836	500	chrome	300/1024	300	8.6	£562	£674.40
ZAC-120-050	1188	500	chrome	410/1399	300	12.0	£746	£895.20
ZAC-120-060	1188	600	chrome	480/1638	500	13.7	£810	£972.00
ZAC-150-040	1540	400	chrome	430/1467	400	12.3	£844	£1012.80
ZAC-150-050	1540	500	chrome	520/1774	500	14.4	£884	£1,060.80
ZAC-180-050	1804	500	chrome	620/2115	600	18.6	£1,069	£1,282.80

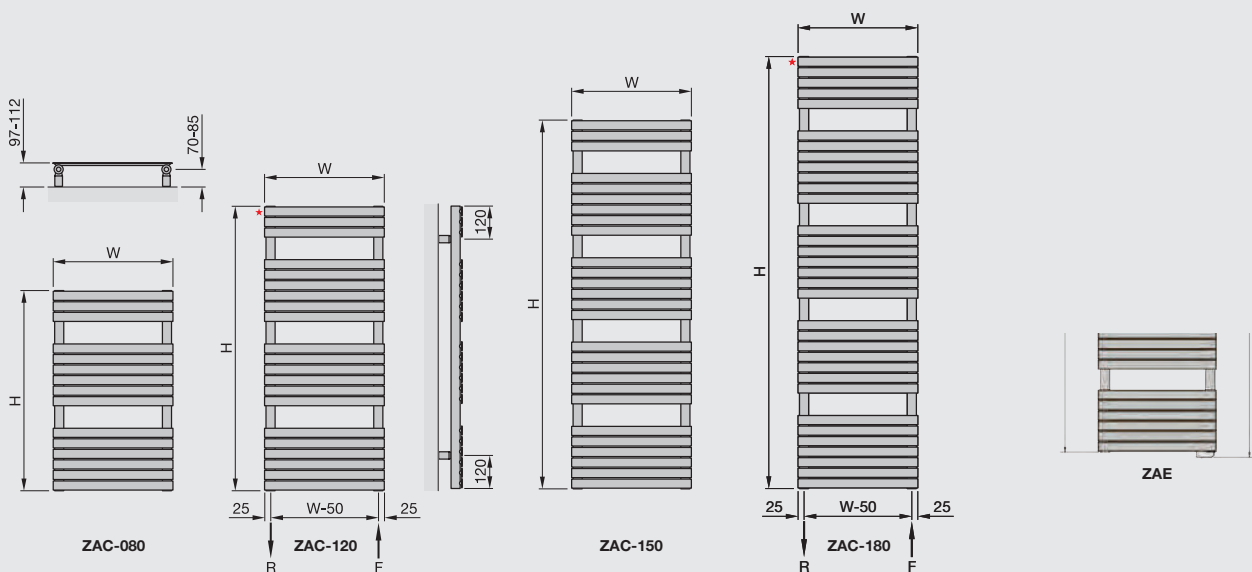
Electric Heating Model 15-20 days	Height mm	Width mm	Finish	Watts Radio frequency remote programmer IPX4 Zone 1 Bath, Zone 2 Shower, Class II	Weight kg	RRP (ex VAT)	RRP (inc 20% VAT)
-----------------------------------	-----------	----------	--------	-----------------------------------------------------------------------------------------	-----------	--------------	-------------------

Zehnder Ax Spa Electric							
ZAE-120-050/GF	1210	500	white	500	16.2	£658	£789.60
ZAE-150-040/GF	1562	400	white	500	17.9	£732	£878.40
ZAE-150-050/GF	1562	500	white	750	20.3	£748	£897.60
ZAE-180-060/GF	1826	600	white	1000	27.0	£863	£1,035.60
ZAE-180-080/GF	1826	800	white	1250	32.9	£941	£1,129.20

Note: Height includes the immersion heater. (See diagrams below)

Colour finish: Standard colours from the Zehnder colour chart including matt white finish: white RAL 9016 + 25%. Colour finish and non-stock products delivery: 18 working days.

*1/8" air vent
Width excludes air vent
F = flow
R = return
H = height
W = width
Tube: Horizontal \varnothing 38x10.5
Tube: Vertical \varnothing 38mm
All dimensions in mm



For full **CE** compliant technical specifications, refer to page 140
To make an approximate conversion from T=50K to T=60K multiply outputs by 1.2

Zehnder Ax Spa



The Ax Spa is now available in modern chrome as well as a range of contemporary colours. The electric version offers a flexible bathroom heating solution for the summer months.



eco
DESIGN
TECHNIKE ELECTROHEIZ

Electric Option

Radio frequency remote programmer, see page 139



EN 442 CE

ZAC-120-050 CHROME

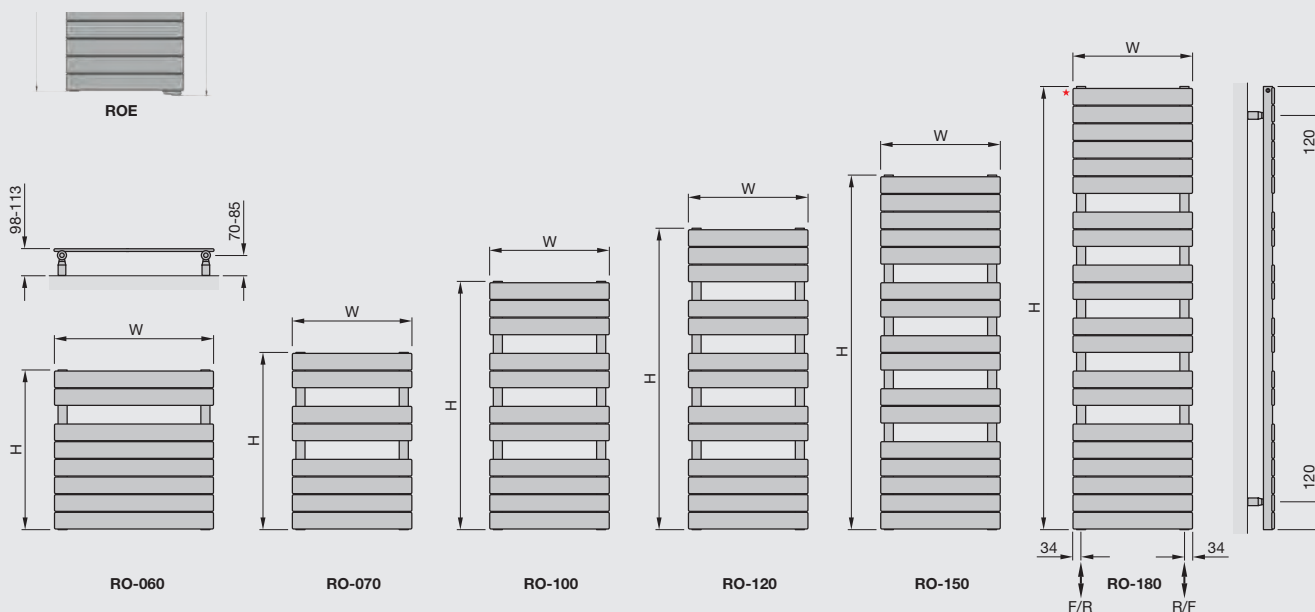
Central Heating Model STOCK listed in black	Height mm	Width mm	Finish	Output $\Delta T=50K$ Watts/btu All outputs certified to EN 442	Electric Immersion Rating Watts	Weight kg	RRP (ex VAT)	RRP (inc 20% VAT)
Zehnder Roda Spa								
RO-060-100	667	1000	white	656/2238	400	14.6	£436	£523.20
RO-070-050	741	500	white	377/1286	200	8.2	£316	£379.20
RO-100-050	1037	500	white	504/1720	300	12.2	£375	£450.00
RO-120-050	1259	500	white	583/1989	400	14.0	£415	£498.00
RO-150-050	1481	500	white	691/2358	500	16.5	£500	£600.00
RO-180-050	1851	500	white	817/2788	500	21.5	£608	£729.60
RO-180-060	1851	600	white	980/3344	600	23.5	£633	£759.60
RO-180-080	1851	800	white	1307/4460	900	31.5	£774	£928.80
RO-070-050-0346	741	500	anthracite	377/1286	200	8.2	£395	£474.00
RO-120-050-0346	1259	500	anthracite	583/1989	400	14.0	£519	£622.80
RO-150-050-0346	1481	500	anthracite	691/2358	500	16.5	£625	£750.00

Dual Energy: Self Fit - Additional cost to Central Heating model prices see page 136 for details

Electric Heating Model	Height mm	Width mm	Finish	Watts Radio frequency remote programmer IPX4 Zone 1 Bath, Zone 2 Shower, Class II	Weight kg	RRP (ex VAT)	RRP (inc 20% VAT)
Zehnder Roda Spa Electric							
ROE-090-050/GF	835	500	white	500	15.1	£534	£640.80
ROE-150-050/GF	1353	500	white	750	22.3	£658	£789.60
ROE-180-050/GF	1649	500	white	1000	27.5	£720	£864.00
ROE-200-060/GF	1871	600	white	1250	34.7	£788	£945.60
ROE-200-080/GF	1871	800	white	1500	44.7	£878	£1,053.60

Colour finish: Standard colours from the Zehnder colour chart including matt white finish: white RAL 9016 + 25%. Colour finish and non-stock products delivery: 17 working days.

*1/8" air vent
Width excludes air vent
F = flow
R = return
H = height
W = width
Tube: Dimensions: 70mm x 11mm
Tube: Vertical \varnothing 38mm
All dimensions in mm



For full **CE** compliant technical specifications, refer to page 140
To make an approximate conversion from T=50K to T=60K multiply outputs by 1.2

Zehnder Roda Spa



High output and practicality in a contemporary design, the Zehnder Roda Spa is particularly suitable for modern bathrooms with angular sanitaryware.



RO-120-050-0346 ANTHRACITE



Valves: see page 132



Electric Option
Radio frequency remote programmer, see page 139

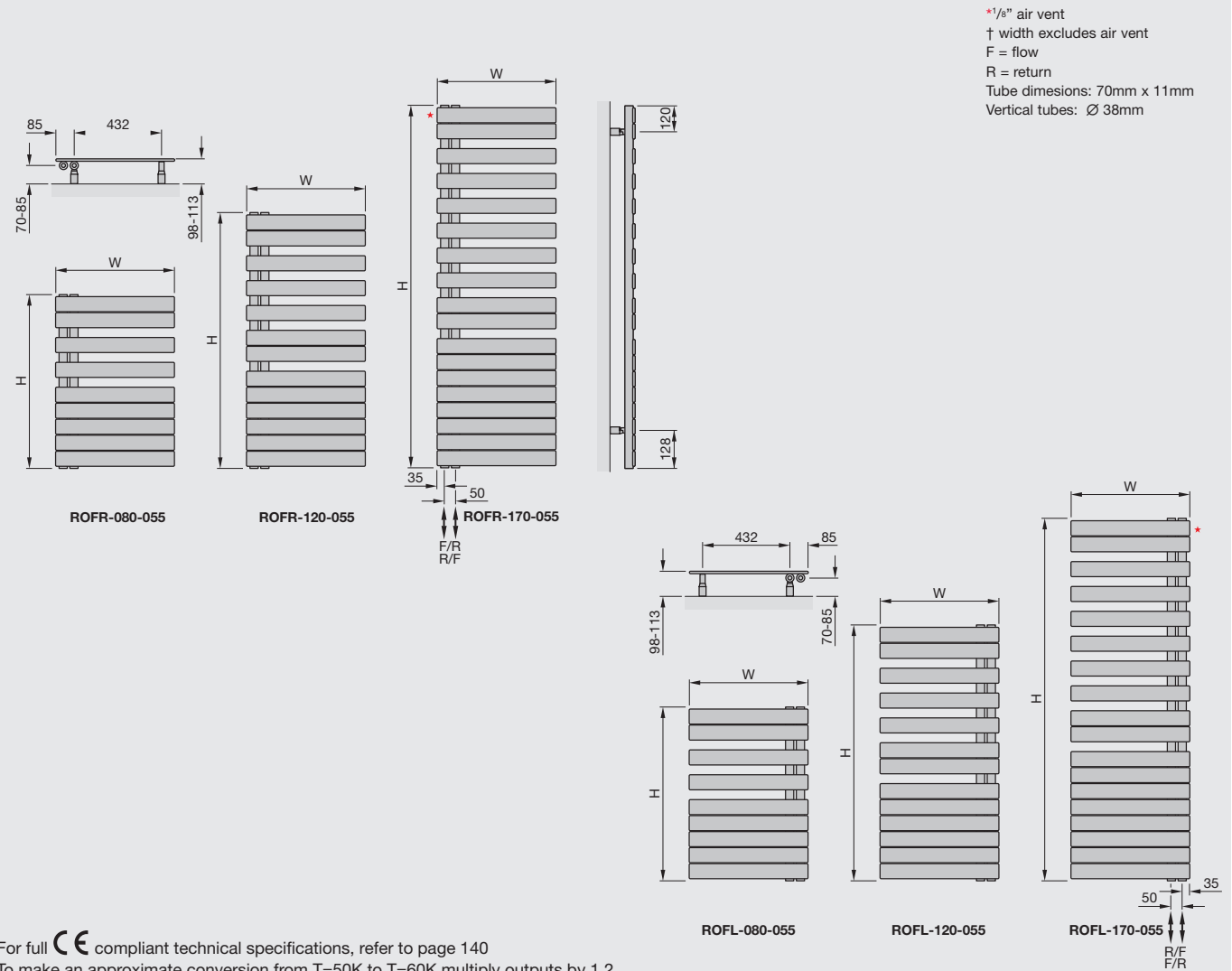


RO-060-100 TRAFFIC WHITE

Central Heating Model STOCK listed in black	Height mm	Width mm	Finish	Output $\Delta T=50K$ Watts/btu All outputs certified to EN 442	Electric Immersion Rating Watts	Weight kg	RRP (ex VAT)	RRP (inc 20% VAT)
Zehnder Roda Spa Asym								
ROFL-080-055	805	550	white	429/1464	300	10	£335	£402.00
ROFL-120-055	1183	550	white	594/2027	400	14	£415	£498.00
ROFL-170-055	1676	550	white	809/2760	500	20	£555	£666.00
ROFR-080-055	805	550	white	429/1464	300	10	£335	£402.00
ROFR-120-055	1183	550	white	594/2027	400	14	£415	£498.00
ROFR-170-055	1676	550	white	809/2760	500	20	£555	£666.00
ROFL-080-055-0336	805	550	volcanic	429/1464	300	10	£419	£502.80
ROFL-120-055-0336	1183	550	volcanic	594/2027	400	14	£519	£622.80
ROFL-170-055-0336	1676	550	volcanic	809/2760	500	20	£694	£832.80
ROFR-080-055-0336	805	550	volcanic	429/1464	300	10	£419	£502.80
ROFR-120-055-0336	1183	550	volcanic	594/2027	400	14	£519	£622.80
ROFR-170-055-0336	1676	550	volcanic	809/2760	500	20	£694	£832.80
ROFL-080-055-0523	805	550	beige quartz	429/1464	300	10	£419	£502.80
ROFL-120-055-0523	1183	550	beige quartz	594/2027	400	14	£519	£622.80
ROFL-170-055-0523	1676	550	beige quartz	809/2760	500	20	£694	£832.80
ROFR-080-055-0523	805	550	beige quartz	429/1464	300	10	£419	£502.80
ROFR-120-055-0523	1183	550	beige quartz	594/2027	400	14	£519	£622.80
ROFR-170-055-0523	1676	550	beige quartz	809/2760	500	20	£694	£832.80
ROFL-080-055-0529	805	550	brown quartz	429/1464	300	10	£419	£502.80
ROFL-120-055-0529	1183	550	brown quartz	594/2027	400	14	£519	£622.80
ROFL-170-055-0529	1676	550	brown quartz	809/2760	500	20	£694	£832.80
ROFR-080-055-0529	805	550	brown quartz	429/1464	300	10	£419	£502.80
ROFR-120-055-0529	1183	550	brown quartz	594/2027	400	14	£519	£622.80
ROFR-170-055-0529	1676	550	brown quartz	809/2760	500	20	£694	£832.80

Dual Energy: Self Fit - Additional cost to Central Heating model prices see page 138 for details

Colour finish: Standard colours from the Zehnder colour chart including matt white finish: white RAL 9016 + 25%. Colour finish and non-stock products delivery: 17 working days.



For full compliant technical specifications, refer to page 140
 To make an approximate conversion from T=50K to T=60K multiply outputs by 1.2

Zehnder Roda Spa Asym



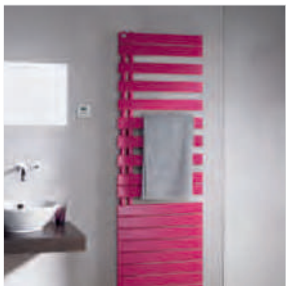
A highly functional and stylish towel rail with a practical asymmetrical design which allows easy access for hanging of towels. The Zehnder Roda Spa Asym central heating model is available with the horizontal tubes facing left or right.



Brown Quartz



Beige Quartz



Strawberry



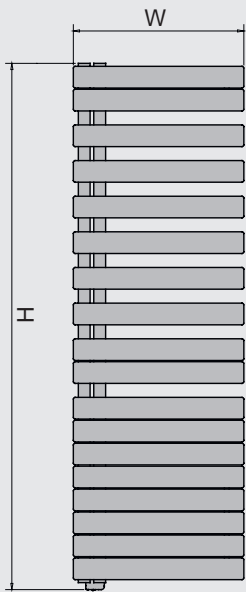
Valves: see page 132



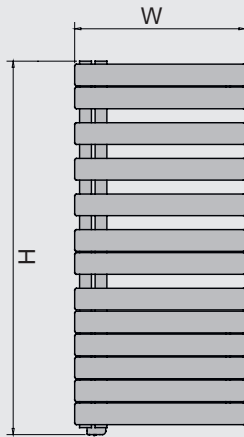
RODA-120-055 TRAFFIC WHITE

Electric Heating Model STOCK listed in black	Height mm	Width mm	Finish	Watts Radio frequency remote programmer IPX4 Zone 1 Bath, Zone 2 Shower, Class II	Weight kg	RRP (ex VAT)	RRP (inc 20% VAT)
⚡ Zehnder Roda Spa Asym Electric							
ROFEL-080-55/GF	826	550	white	500	15	£463	£555.60
ROFEL-120-55/GF	1206	550	white	750	21	£570	£684.00
ROFEL-170-55/GF	1699	550	white	1000	29	£671	£805.20
ROFER-080-55/GF	828	550	white	500	15	£463	£555.60
ROFER-120-55/GF	1206	550	white	750	21	£570	£684.00
ROFER-170-55/GF	1699	550	white	1000	29	£671	£805.20

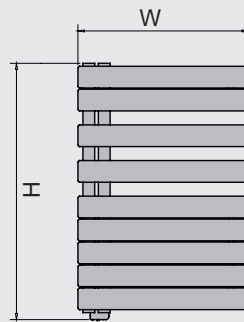
🎨 **Colour finish:** Standard colours from the Zehnder colour chart including matt white finish: white RAL 9016 + 25%. Colour finish and non-stock products delivery: 17 working days.



ROFER-170-055/GF

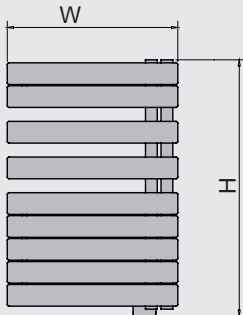


ROFER-120-055/GF

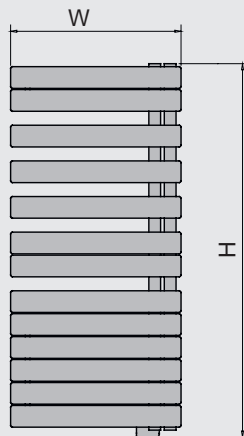


ROFER-080-055/GF

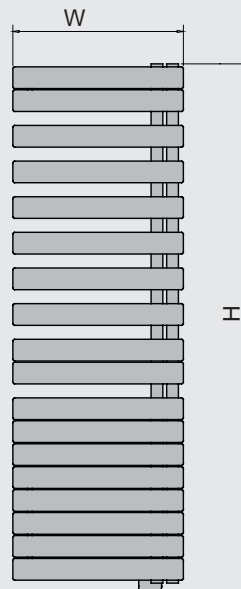
H = height
W = width
Tube: Dimesions: 70mm x 11mm
Tube: Vertical tubes: Ø 38mm
All dimensions in mm



ROFEL-080-055/GF



ROFEL-120-055/GF



ROFEL-170-055/GF

Zehnder Roda Spa Asym



The Roda Spa Asym in its electric form is a firm favourite due to its overall functionality and style.



Electric receiver



Electric Option

Radio frequency remote programmer, see page 139

eco
DESIGN



ROFL-120-055/GF TITANE

CHARLESTON BAR

Central Heating Model STOCK listed in black	Height mm	Width mm	No. of sections	Bar length mm	Finish	Output $\Delta T=50K$ Watts/Btu All outputs certified to EN 442	Centre from wall	Overall projection	Weight kg	RRP (ex VAT)	RRP (inc 20% VAT)
Zehnder Charleston Bar (Cloakroom size - see pages 8/9)											
CPV2075-6	742	302	6	368	white	330/1125	59	134	7.2	£250	£300.00
CPV2090-10	892	486	10	412	white	639/2179	59	134	14.39	£371	£445.20
CPV2120-10	1192	486	10	412	white	827/2820	59	134	18.55	£454	£544.80
CPV2150-10	1492	486	10	412	white	1040/3546	59	134	23.2	£509	£610.80
CPV2150-12	1492	578	12	412	white	1248/4256	59	134	27.7	£581	£697.20
CPV2150-14	1492	670	14	596	white	1456/4965	59	134	32.2	£653	£783.60
CPV2150-16	1492	762	16	596	white	1664/5674	59	134	36.8	£725	£870.00
CPV2180-10	1792	486	10	412	white	1240/4228	59	134	27.4	£546	£655.20
CPV2180-12	1792	578	12	412	white	1488/5074	59	134	32.9	£626	£751.20
CPV2180-14	1792	670	14	596	white	1736/5920	59	134	38.3	£705	£846.00
CPV2180-16	1792	762	16	596	white	1984/6765	59	134	43.6	£785	£942.00

Zehnder Charleston Bar											
CPV3150-10	1500	486	10	412	white	1400/4774	78	172	34.0	£619	£742.80
CPV3150-12	1500	578	12	412	white	1680/5729	78	172	40.7	£713	£855.60
CPV3150-14	1500	670	14	596	white	1960/6684	78	172	47.4	£807	£968.40
CPV3150-16	1500	762	16	596	white	2240/7638	78	172	54.0	£902	£1,082.40
CPV3180-10	1660	486	10	412	white	1660/3956	78	172	40.5	£694	£832.80
CPV3180-12	1800	578	12	412	white	1992/6793	78	172	48.5	£803	£963.60
CPV3180-14	1800	670	14	596	white	2324/7925	78	172	55.9	£912	£1,094.40
CPV3180-16	1800	762	16	596	white	2656/9057	78	172	63.8	£1,021	£1,225.20

1 x chrome towel bar included. Projection including towel bar: 134mm

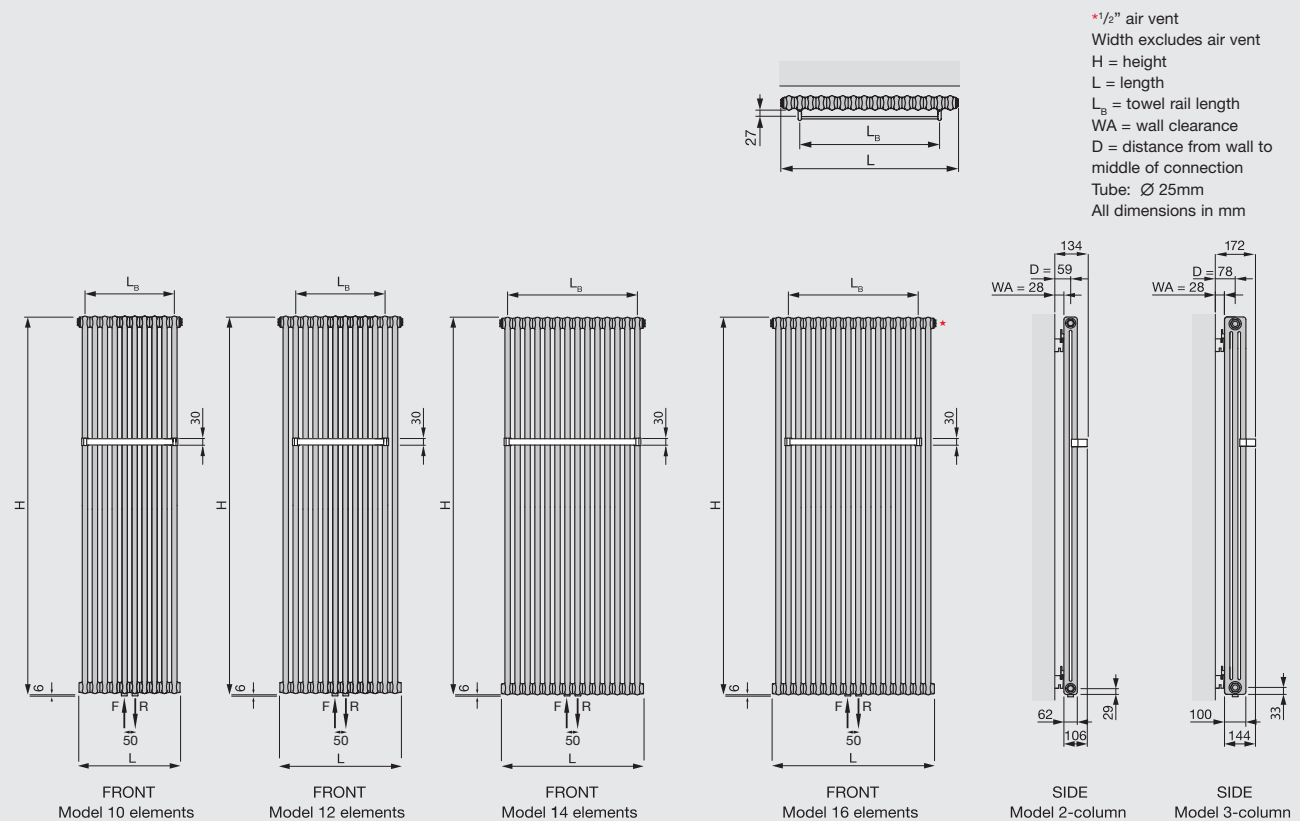
Accessories			
Model		RRP (ex VAT)	RRP (inc 20% VAT)
966018	Charleston chrome towel bar 368mm	£133	£159.60
966028	Charleston chrome towel bar 918mm	£148	£177.60

The additional chrome bars (above) can be cut down to fit if required

CTR-28	Chrome towel rail. Spans across 6 elements	£112	£134.40
CTR-37	Chrome towel rail. Spans across 8 elements	£119	£142.80
CTR-46	Chrome towel rail. Spans across 10 elements	£123	£147.60
CTR-55	Chrome towel rail. Spans across 12 elements	£126	£151.20
CTR-64	Chrome towel rail. Spans across 14 elements	£134	£160.80

Contains full length rail and two brackets.

Colour finish: Standard colours from the Zehnder colour chart including matt white finish: white RAL 9016 + 25%. Colour finish and non-stock products delivery: 15 working days.



For full **CE** compliant technical specifications, refer to page 140
To make an approximate conversion from T=50K to T=60K multiply outputs by 1.2

Zehnder Charleston Bar



The popular multi-column with the chrome towel bar combines warmth and practicality.




Jet Black

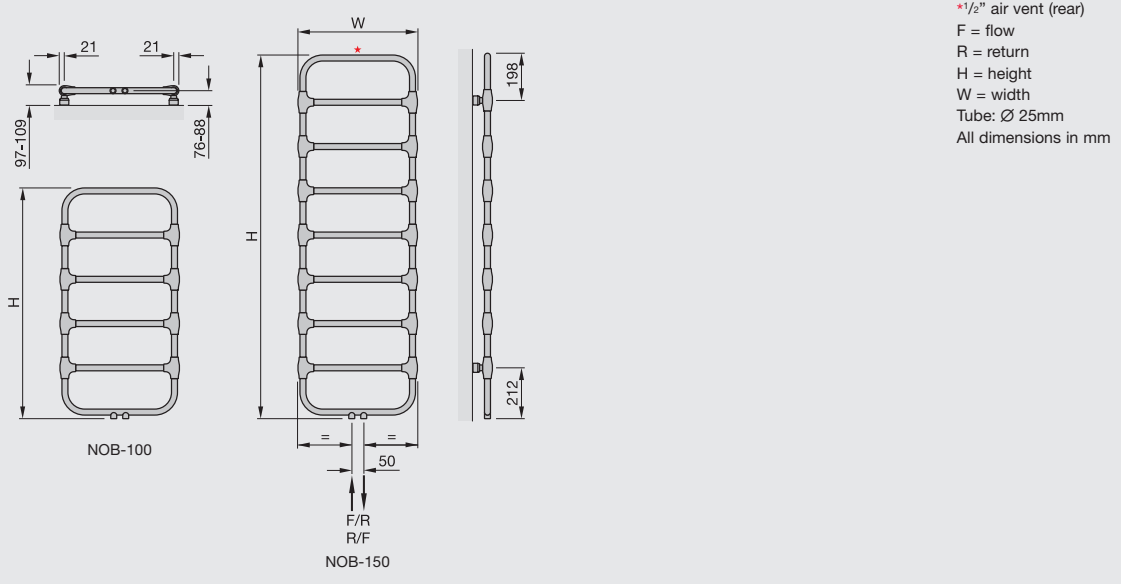



Valves: see page 132



CPV2180-10 TRAFFIC WHITE

Central Heating Model STOCK listed in black	Height mm	Width mm	Finish	Output $\Delta T=50K$ Watts/btu All outputs certified to EN 442	Electric Immersion Rating Watts	Weight kg	RRP (ex VAT)	RRP (inc 20% VAT)
 Zehnder Nobis								
NOB-100-050	965	500	chrome	210/717	n/a	9.0	£855	£1,026.00
NOB-150-050	1520	chrome	325/1109	n/a	14.0	£1,048	£1,257.60	



For full  compliant technical specifications, refer to page 140
 To make an approximate conversion from T=50K to T=60K multiply outputs by 1.2

Zehnder Nobis



Elegant patented chrome towel drying radiator with unique contemporary joints. The Nobis is also suitable for installation on hot water systems.



Valves: see page 132



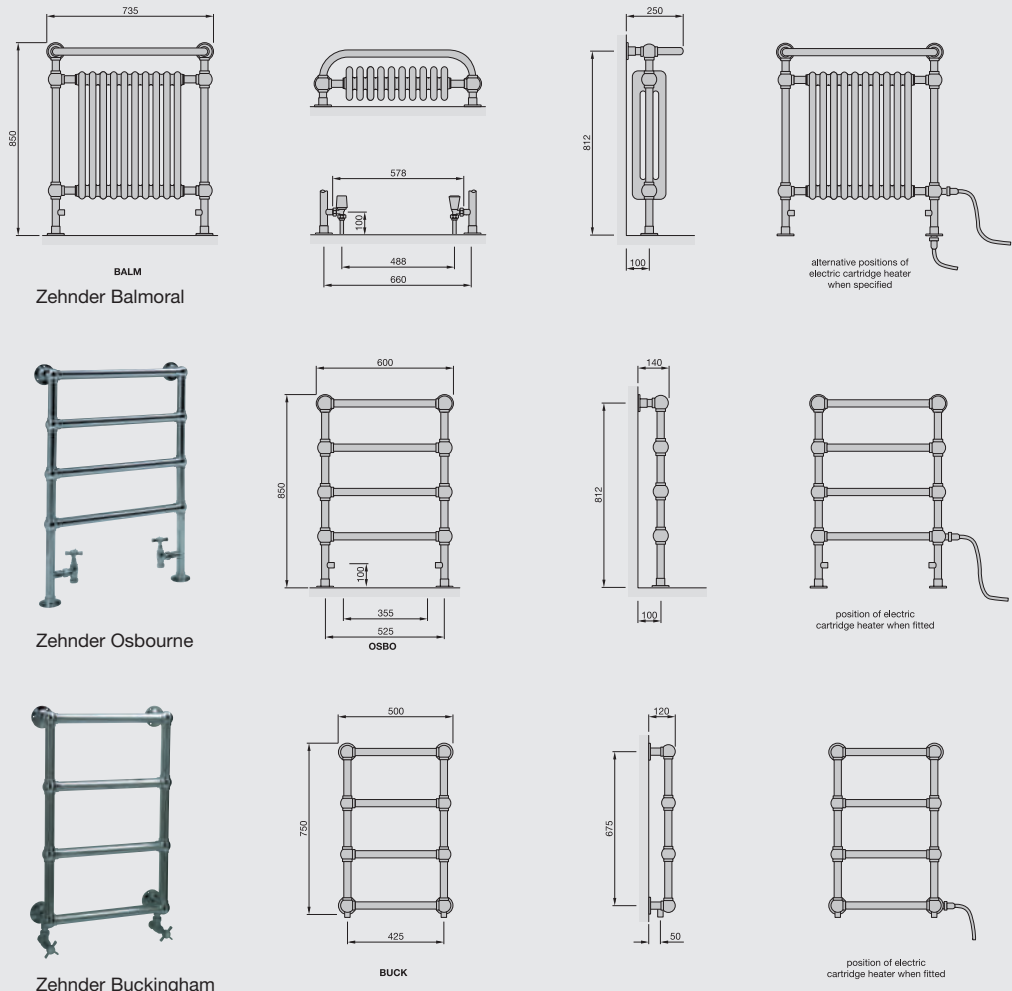
Chrome NOB-150-050

Traditional range Model STOCK listed in black	Code	Height mm	Width mm	Finish	Output $\Delta T=50K$ Watts/BTU All outputs certified to EN 442	Electric Immersion Rating Watts	RRP (ex VAT)	RRP (inc 20% VAT)
Central heating only models (the Zehnder Balmoral is not suitable for domestic hot water systems)								
Zehnder Balmoral NEW	BALM CPHO	850	735	chrome	683/2330	N/A	£1,158	£1,389.60
	BALM BNHO			bright nickel	683/2330		£1,447	£1,736.40
Central heating and domestic hot water models								
Zehnder Osbourne NEW	OSBO CPHO	850	600	chrome	246/839	150	£702	£842.40
	OSBO BNHO			bright nickel	246/839		£878	£1,053.60
Zehnder Buckingham NEW	BUCK CPHO	750	500	chrome	175/597	150	£702	£842.40
	BUCK BNHO			bright nickel	175/597		£878	£1,053.60
Dual energy models (IPX5, Zone 1) with factory fitted immersion								
Zehnder Buckingham NEW	BUCK CPDE	750	500	chrome	175/597	150	£900	£1,080.00
	BUCK BNDE			bright nickel	175/597		£1,124	£1,348.80
Electric only models (IPX5, Zone 1) Immersion heater (no controls) on right-hand side as standard								
Zehnder Balmoral NEW	BALM CPEO	850	735	chrome	n/a	400	£1,548	£1,857.60
	BALM BNEO			bright nickel	n/a		£1,934	£2,320.80
Zehnder Osbourne NEW	OSBO CPEO	850	600	chrome	n/a	150	£999	£1,198.80
	OSBO BNEO			bright nickel	n/a		£1,249	£1,498.80
Zehnder Buckingham NEW	BUCK CPEO	750	500	chrome	n/a	150	£999	£1,198.80
	BUCK BNEO			bright nickel	n/a		£1,249	£1,498.80

Colour finish for Zehnder Balmoral column radiator: Only available in RAL colours: Additional price £225 + VAT

Alternative Finish Options

Colour finish and non-stock products delivery: 30 working days
 List price of chrome + 75% : polished brass, antique brass, antique bronze, antique copper, polished copper and brushed copper.
 List price of chrome + 85% : antique gold, dark gold.



All dimensions in mm

For full compliant technical specifications, refer to page 140
 To make an approximate conversion from T=50K to T=60K multiply outputs by 1.2

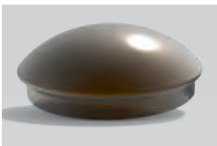
Traditional Range



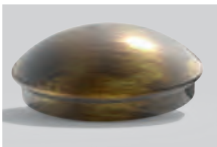
Distinguished luxury available in chrome or antique gold, for central heating, domestic hot water, dual energy or electric only installations.



polished brass



antique brass



antique bronze



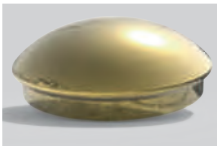
antique copper



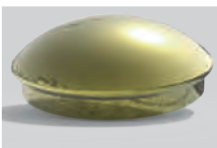
polished copper



brushed copper



antique gold



dark gold

Alternative Finish Options

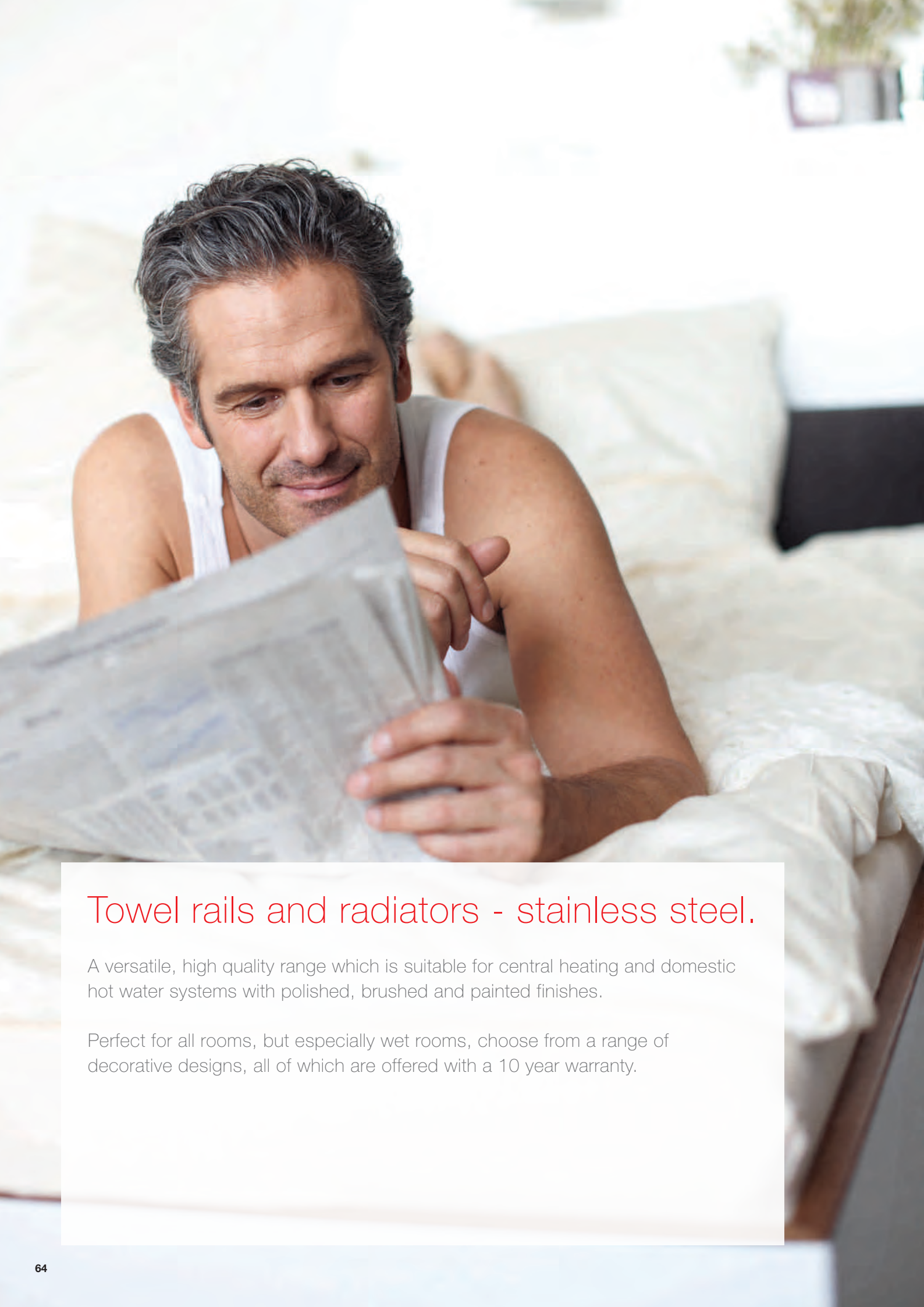
The colours shown are for illustration purposes only and the colour may vary due to printing colour processes



BALM CPHO CHROME WITH TRAFFIC WHITE



OSBO CPDE CHROME



Towel rails and radiators - stainless steel.

A versatile, high quality range which is suitable for central heating and domestic hot water systems with polished, brushed and painted finishes.

Perfect for all rooms, but especially wet rooms, choose from a range of decorative designs, all of which are offered with a 10 year warranty.

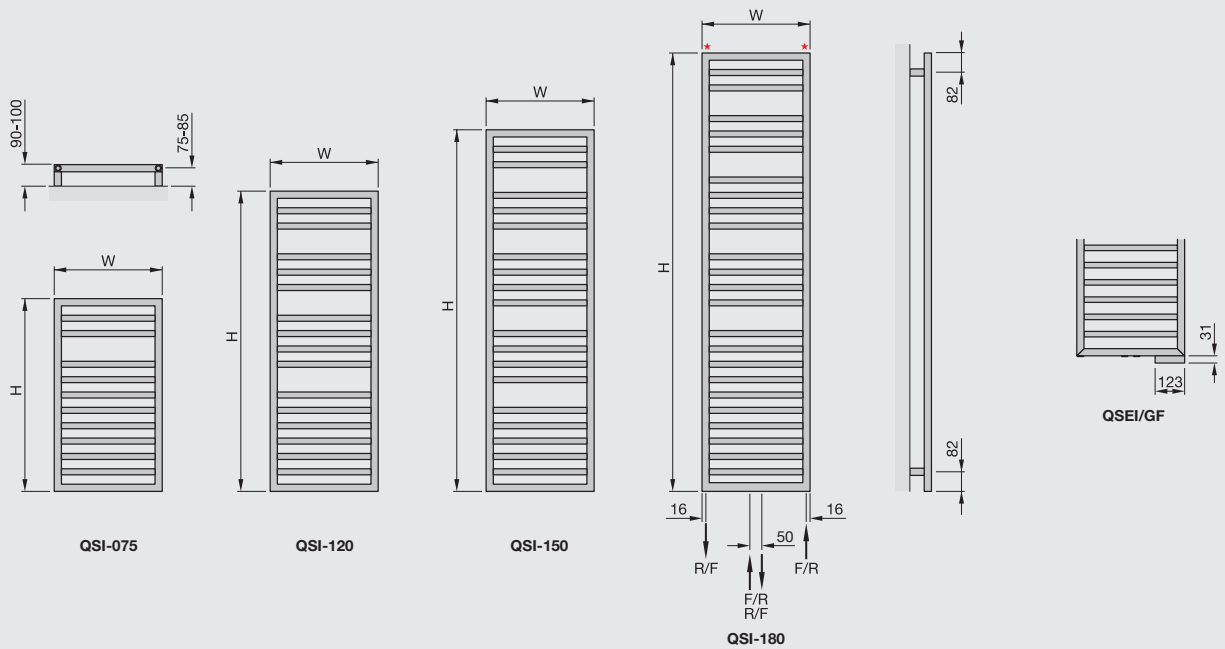


SUBI-150-060 STAINLESS STEEL BRUSHED

Central Heating Model STOCK listed in black	Height mm	Width mm	Finish	Output $\Delta T=50K$ Watts/Btu All outputs certified to EN 442	Electric Immersion Rating Watts	Weight kg	RRP (ex VAT)	RRP (inc 20% VAT)
Zehnder Quaro Spa Stainless Steel (Brushed)								
QSI-075-045	803	450	stainless steel	222 /757	150	7.1	£439	£526.80
QSI-120-045	1251	450	stainless steel	330 /1126	200	9.8	£565	£678.00
QSI-120-055	1251	550	stainless steel	388 /1324	300	11.6	£636	£763.20
QSI-150-045	1507	450	stainless steel	393 /1341	300	11.3	£692	£830.40
QSI-150-055	1507	550	stainless steel	464 /1583	300	13.4	£748	£897.60
QSI-180-055	1827	550	stainless steel	569 /1941	400	16.1	£837	£1,004.40

Electric Heating Model	Height mm	Width mm	Finish	Watts Radio frequency remote programmer IPX4 Zone 1 Bath, Zone 2 Shower, Class II	Weight kg	RRP (ex VAT)	RRP (inc 20% VAT)
Zehnder Quaro Spa Electric Stainless Steel (Brushed)							
QSEI-120-045/GF	1281	450	stainless steel	300	14.9	£852	£1,022.40
QSEI-120-055/GF	1281	550	stainless steel	300	17.4	£924	£1,108.80
QSEI-150-045/GF	1537	450	stainless steel	300	17.3	£980	£1,176.00
QSEI-150-055/GF	1537	550	stainless steel	300	20.2	£1,035	£1,242.00
QSEI-180-055/GF	1857	550	stainless steel	500	24.3	£1,126	£1,351.20

Colour finish: Standard colours from the Zehnder colour chart including matt white finish: RAL 9016 +25%.
Colour finish and non-stock product delivery: 20 working days.



For full **CE** compliant technical specifications, refer to page 140
To make an approximate conversion from T=50K to T=60K multiply outputs by 1.2

Zehnder Quaro Spa



The Zehnder Quaro Spa has an elegant square profile frame and horizontal heating pipes. Beautifully designed with clarity and simplicity, even the right-angled wall brackets look cool! Generously spaced tubes give plenty of room for warming fluffy towels.

Available in both central heating and electric versions, this gorgeous brushed stainless steel towel radiator is the ideal solution for contemporary wet rooms.



Electric option receiver for RF control



Electric Option

Radio frequency remote programmer, see page 139

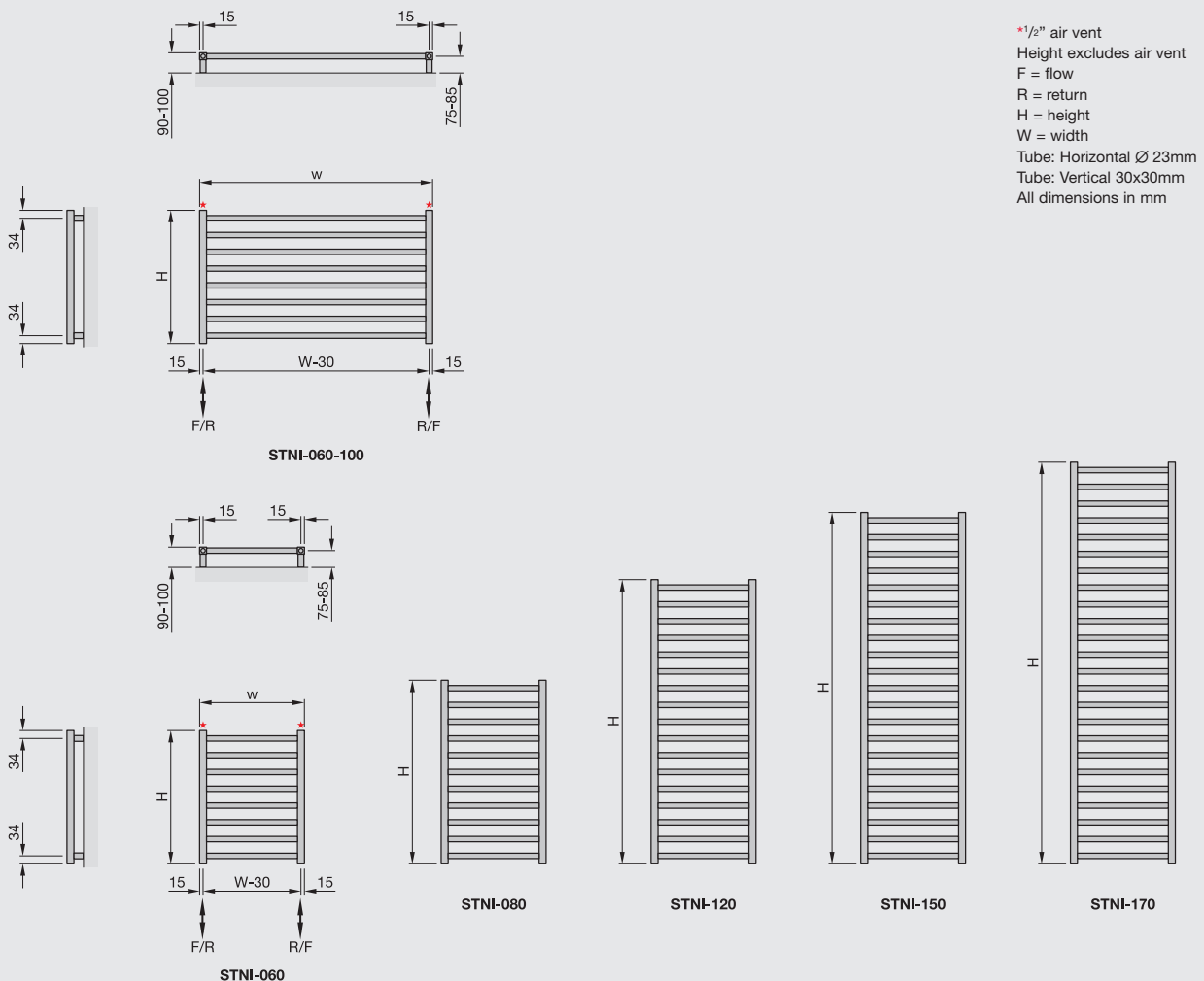


QSI-120-045 BRUSHED STAINLESS STEEL

Stainless Steel STOCK listed in black	Height mm	Width mm	Finish	Output $\Delta T=50K$ Watts/btu All outputs certified to EN 442	Electric Immersion Rating Watts	Weight kg	RRP (ex VAT)	RRP (inc 20% VAT)
Zehnder Stellar Stainless Steel								
STNI-060-045	572	450	s/steel polished	159/541	100	3.3	£235	£282.00
STNI-060-100	572	1000	s/steel polished	284/970	200	5.8	£421	£505.20
STNI-080-030	788	300	s/steel polished	159/541	100	3.6	£236	£283.20
STNI-080-045	788	450	s/steel polished	206/702	150	4.5	£283	£339.60
STNI-080-060	788	600	s/steel polished	253/863	150	5.4	£332	£398.40
STNI-120-030	1220	300	s/steel polished	242/826	150	5.5	£336	£403.20
STNI-120-045	1220	450	s/steel polished	316/1078	150	6.9	£384	£460.80
STNI-120-060	1220	600	s/steel polished	391/1334	200	8.4	£447	£536.40
STNI-150-045	1508	450	s/steel polished	389/1327	300	8.5	£592	£710.40
STNI-150-060	1508	600	s/steel polished	491/1675	300	10.2	£680	£816.00
STNI-170-045	1724	450	s/steel polished	452/1542	300	10.0	£684	£820.80
STNI-170-060	1724	600	s/steel polished	545/1860	400	12.0	£783	£939.60
STNI-060-045-CF	572	450	s/steel painted	233/795	150	3.3	£235	£282.00
STNI-060-100-CF	572	1000	s/steel painted	430/1467	300	5.8	£421	£505.20
STNI-080-030-CF	788	300	s/steel painted	232/792	150	3.6	£236	£283.20
STNI-080-045-CF	788	450	s/steel painted	317/1082	200	4.5	£283	£339.60
STNI-080-060-CF	788	600	s/steel painted	395/1348	300	5.4	£332	£398.40
STNI-120-030-CF	1220	300	s/steel painted	353/1204	200	5.5	£336	£403.20
STNI-120-045-CF	1220	450	s/steel painted	482/1645	300	6.9	£384	£460.80
STNI-120-060-CF	1220	600	s/steel painted	600/2047	400	8.4	£447	£536.40
STNI-150-045-CF	1508	450	s/steel painted	591/2016	400	8.5	£592	£710.40
STNI-150-060-CF	1508	600	s/steel painted	736/2511	500	10.2	£680	£816.00
STNI-170-045-CF	1724	450	s/steel painted	672/2293	500	10.0	£684	£820.80
STNI-170-060-CF	1724	600	s/steel painted	838/2859	600	12.0	£783	£939.60

Dual Energy: Self Fit - Additional cost to Central Heating model prices see page 138 for details

Colour finish: Standard colours from the Zehnder colour chart. No charge for colour option. Delivery of colour finish and non-stock products: 21 working days.



For full compliant technical specifications, refer to page 140
 To make an approximate conversion from T=50K to T=60K multiply outputs by 1.2

Zehnder Stellar



Simple, elegant and contemporary, the stainless steel Stellar is the ideal solution for minimalist bathroom designs.



Bracket detail



STNI-120-045 POLISHED STAINLESS STEEL



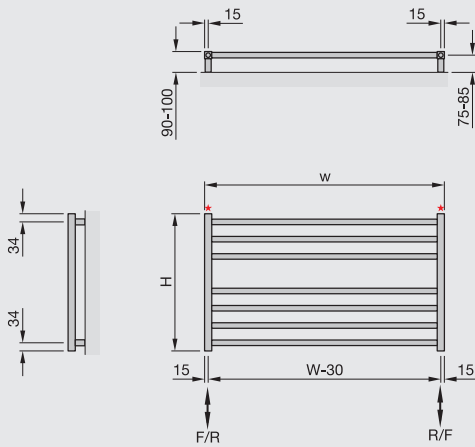
STNI-060-100 POLISHED STAINLESS STEEL



Stainless Steel STOCK listed in black	Height mm	Width mm	Finish	Output $\Delta T=50K$ Watts/btu All outputs certified to EN 442	Electric Immersion Rating Watts	Weight kg	RRP (ex VAT)	RRP (inc 20% VAT)
Zehnder Stellar Spa Stainless Steel								
STGI-060-045	572	450	s/steel polished	161/549	100	3.1	£217	£260.40
STGI-060-100	572	1000	s/steel polished	272/928	150	5.3	£390	£468.00
STGI-080-030	788	300	s/steel polished	171/583	100	3.4	£218	£261.60
STGI-080-045	788	450	s/steel polished	220/751	100	4.2	£262	£314.40
STGI-080-060	788	600	s/steel polished	243/829	150	5.0	£307	£368.40
STGI-120-030	1220	300	s/steel polished	240/819	150	5.2	£311	£373.20
STGI-120-045	1220	450	s/steel polished	309/1054	150	6.5	£356	£427.20
STGI-120-060	1220	600	s/steel polished	379/1293	200	7.7	£414	£496.80
STGI-150-045	1508	450	s/steel polished	361/1232	300	7.8	£548	£657.60
STGI-150-060	1508	600	s/steel polished	448/1529	300	9.3	£630	£756.00
STGI-170-045	1724	450	s/steel polished	434/1481	200	9.4	£633	£759.60
STGI-170-060	1724	600	s/steel polished	517/1764	300	11.2	£725	£870.00
STGI-060-045-CF	572	450	s/steel painted	219/747	150	3.1	£217	£260.40
STGI-060-100-CF	572	1000	s/steel painted	394/1344	300	5.3	£390	£468.00
STGI-080-030-CF	788	300	s/steel painted	218/744	150	3.4	£218	£261.60
STGI-080-045-CF	788	450	s/steel painted	294/1003	200	4.2	£262	£314.40
STGI-080-060-CF	788	600	s/steel painted	363/1239	200	5.0	£307	£368.40
STGI-120-030-CF	1220	300	s/steel painted	332/1133	200	5.2	£311	£373.20
STGI-120-045-CF	1220	450	s/steel painted	448/1529	300	6.5	£356	£427.20
STGI-120-060-CF	1220	600	s/steel painted	554/1890	400	7.7	£414	£496.80
STGI-150-045-CF	1508	450	s/steel painted	556/1897	400	7.8	£548	£657.60
STGI-150-060-CF	1508	600	s/steel painted	687/2344	500	9.3	£630	£756.00
STGI-170-045-CF	1724	450	s/steel painted	640/2184	400	9.4	£633	£759.60
STGI-170-060-CF	1724	600	s/steel painted	791/2699	500	11.2	£725	£870.00

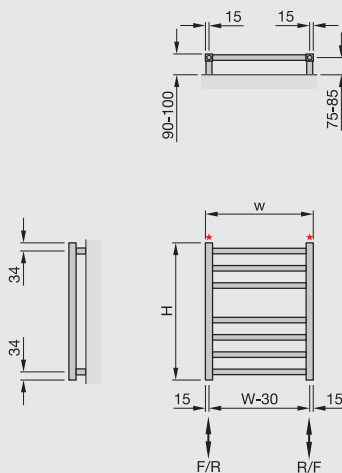
Dual Energy: Self Fit - Additional cost to Central Heating model prices see page 138 for details

Colour finish: Standard colours from the Zehnder colour chart. Delivery of colour finish and non-stock products: 21 working days.

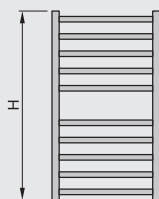


STGI-060-100

*1/2" air vent
Height excludes air vent
F = flow
R = return
H = height
W = width
Tube: Horizontal \varnothing 23mm
Tube: Vertical 30x30mm
All dimensions in mm



STGI-080



STGI-120



STGI-150



STGI-170



STGI-060

For full compliant technical specifications, refer to page 140
To make an approximate conversion from T=50K to T=60K multiply outputs by 1.2

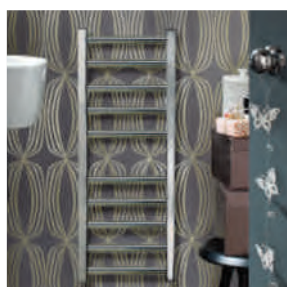
Zehnder Stellar Spa



Contemporary in design in stainless steel to suit the latest lifestyle trends. Suitable for dual energy installation for year-long comfort.



STGI-150-045 POLISHED STAINLESS STEEL



Valves: see page 132



STGI-060-100 POLISHED STAINLESS STEEL



SUBWAY STAINLESS STEEL

Stainless Steel Model STOCK listed in black	Height mm	Width mm	Finish	Output $\Delta T=50K$ Watts/btu All outputs certified to EN 442	Electric Immersion Rating Watts	Weight kg	RRP (ex VAT)	RRP (inc 20% VAT)
Zehnder Subway Stainless Steel (brushed)								
SUBI-060-045	613	450	stainless steel	221/754	150	5.1	£437	£524.40
SUBI-130-045	1261	450	stainless steel	370/1262	200	8.7	£612	£734.40
SUBI-130-060	1261	600	stainless steel	447/1525	300	10.4	£678	£813.60
SUBI-150-045	1549	450	stainless steel	445/1518	300	10.4	£720	£864.00
SUBI-150-060	1549	600	stainless steel	538/1836	300	12.4	£801	£961.20
SUBI-180-060	1837	600	stainless steel	633/2160	400	14.4	£896	£1,075.20

Dual Energy: Self Fit - Additional cost to Central Heating model prices. See page 136 for details

Height mm	Width mm	Finish	Weight kg	Simple electric immersion heater Class II IPX4, Zones 1 bath, Zone 2 shower				Radio Frequency remote programmer Class II IPX4, Zones 1 bath, Zone 2 shower			
				Model	Electric rating	RRP (ex VAT)	RRP (inc 20% VAT)	Model	Electric rating	RRP (ex VAT)	RRP (inc 20% VAT)
Zehnder Subway electric only models (with a choice of either a simple immersion heater (no controls))											
1261	450	s/steel	13.2	SUBEI-130-045/F	300	£709	£850.80	SUBEI-130-045/GF	300	£1,016	£1,219.20
1549	450	s/steel	15.9	SUBEI-150-045/F	300	£831	£997.20	SUBEI-150-045/GF	300	£1,198	£1,437.60
1549	600	s/steel	19.6	SUBEI-150-060/F	500	£919	£1,102.80	SUBEI-150-060/GF	500	£1,346	£1,615.20
1837	600	s/steel	21.8	SUBEI-180-060/F	600	£1,024	£1,228.80	SUBEI-180-060/GF	600	£1,473	£1,767.60

Note: Height does not include the immersion heater. (See diagrams below)

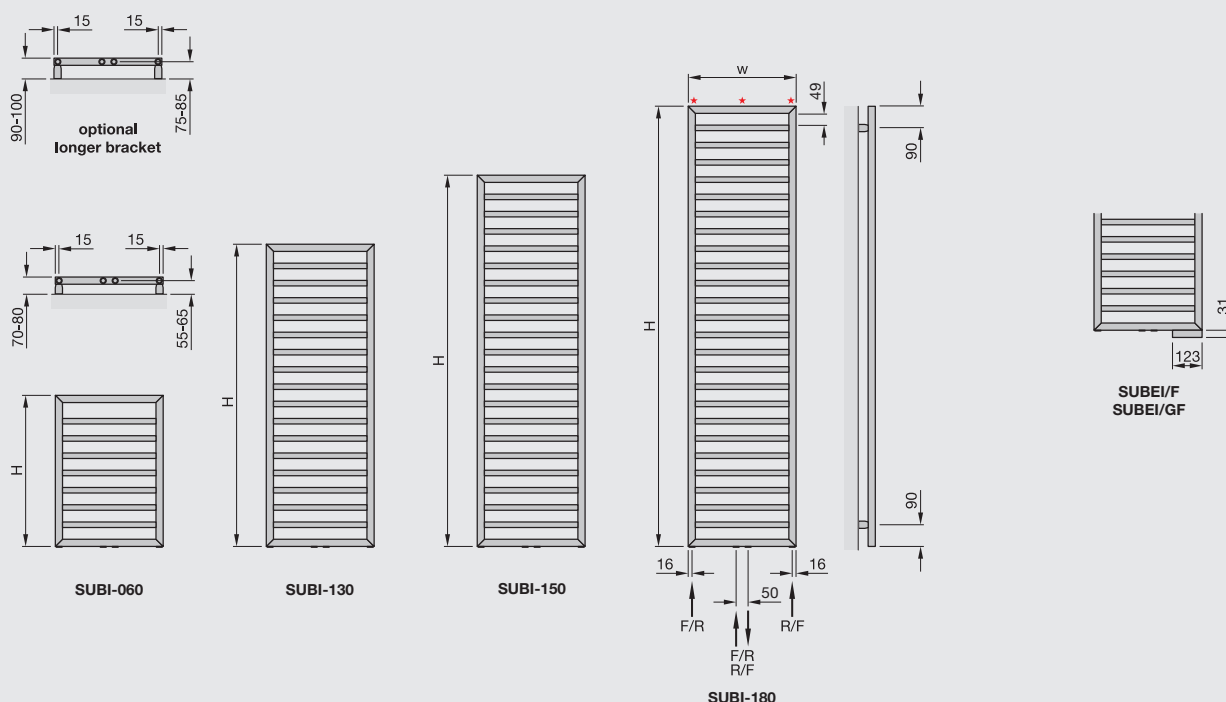
Optional wall brackets: Increases space behind rail by 20mm

Model	RRP (ex VAT)	RRP (inc 20% VAT)
952119 Subway SUB extended bracket kit. Painted finish	£41	£49.20

All brackets for stainless steel radiators are supplied with an Inox painted stainless steel finish.

Delivery of non-stock products: 20 working days.

*1/2" air vent
Height excludes air vent
F = flow
R = return
H = height
W = width
Tube: Horizontal \varnothing 23mm
Tube: Vertical 30x30mm
All dimensions in mm



For full **CE** compliant technical specifications, refer to page 140
To make an approximate conversion from T=50K to T=60K multiply outputs by 1.2

Zehnder Subway



With its classic lines and broad appeal, the stainless steel Zehnder Subway towel rail offers versatility comfort and superb design.



Valves: see page 130





Electric Option

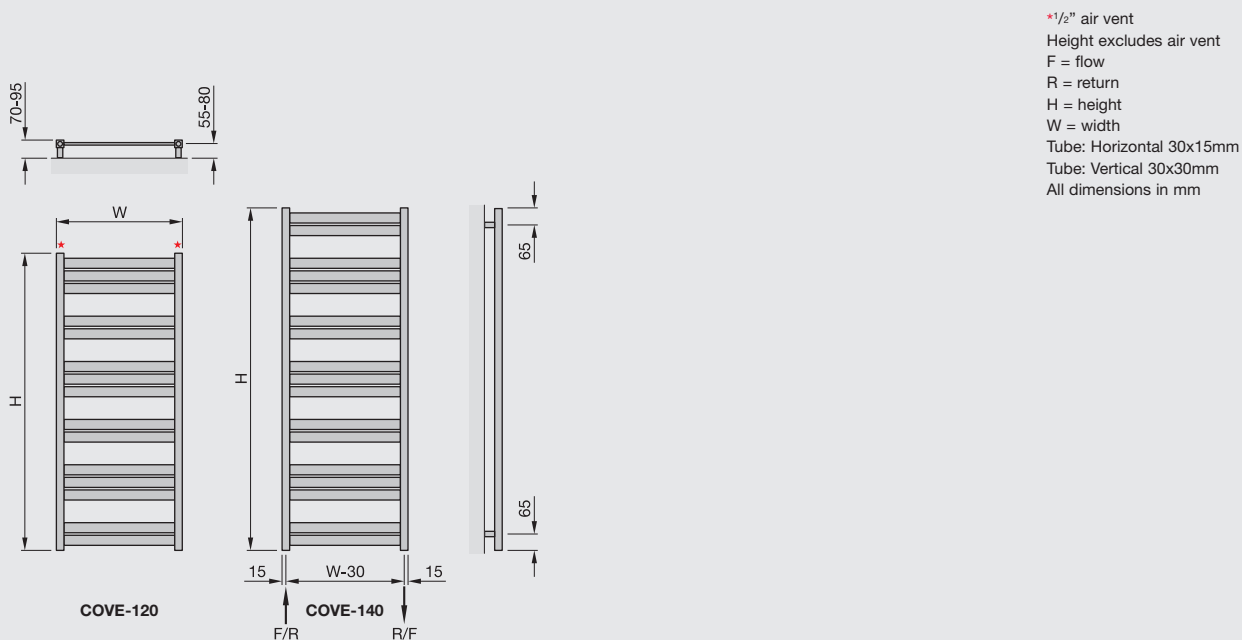
Radio frequency remote programmer, see page 139




SUBI-150-045 BRUSHED STAINLESS STEEL

Stainless Steel STOCK listed in black	Height mm	Width mm	Finish	Output $\Delta T=50K$ Watts/btu All outputs certified to EN 442	Electric Immersion Rating Watts	Weight kg	RRP (ex VAT)	RRP (inc 20% VAT)
 Zehnder Cove Stainless Steel Brushed								
COVE-120-050	1180	500	stainless steel	304/1037	200	10.3	£679	£814.80
COVE-120-060	1180	600	stainless steel	351/1198	200	12.0	£704	£844.80
COVE-140-050	1360	500	stainless steel	345/1177	200	11.6	£951	£1,141.20
COVE-140-060	1360	600	stainless steel	402/1372	200	13.6	£976	£1,171.20

 Dual Energy: Self Fit - Additional cost to Central Heating model prices see page 138 for details



For full  compliant technical specifications, refer to page 140
 To make an approximate conversion from T=50K to T=60K multiply outputs by 1.2

Zehnder Cove




Distinctive elegance combining brushed stainless steel with perfectly proportioned polished steel sections to enhance any bathroom design.




Valves: see page 132

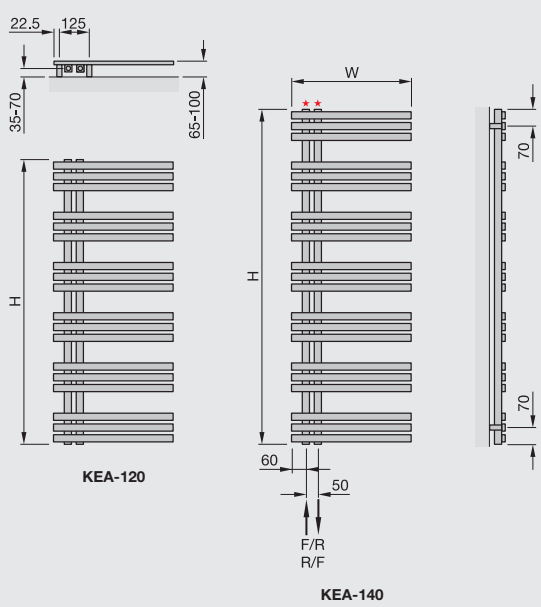


COVE-120-050 BRUSHED STAINLESS STEEL


Stainless Steel STOCK listed in black	Height mm	Width mm	Finish	Output $\Delta T=50K$ Watts/btu All outputs certified to EN 442	Electric Immersion Rating Watts	Weight kg	RRP (ex VAT)	RRP (inc 20% VAT)
 Zehnder Keel Asym stainless steel								
KEA-120-050-9517	1190	500	s/steel brushed	307/1047	200	12.4	£779	£934.80
KEA-140-050-9517	1400	500	s/steel brushed	357/1218	200	14.5	£886	£1,063.20
KEA-120-050-9516	1190	500	s/steel polished	307/1047	200	12.4	£855	£1,026.00
KEA-140-050-9516	1400	500	s/steel polished	357/1218	200	14.5	£973	£1,167.60

 Dual Energy: Self Fit - Additional cost to Central Heating model prices see page 138 for details

*1/2" air vent
 † height excludes air vent
 F = flow
 R = return
 Tube: Horizontal 30x15mm
 Vertical 30x30mm



The Keel Asym can be installed with the horizontal tubes on the left or right hand side.

For full  compliant technical specifications, refer to page 140
 To make an approximate conversion from T=50K to T=60K multiply outputs by 1.2

Zehnder Keel Asym



Now available in both polished and brushed stainless steel, a stylishly practical radiator giving easy access for hanging towels, enhanced with a polished band of steel between the vertical tubes.



Valves: see page 132



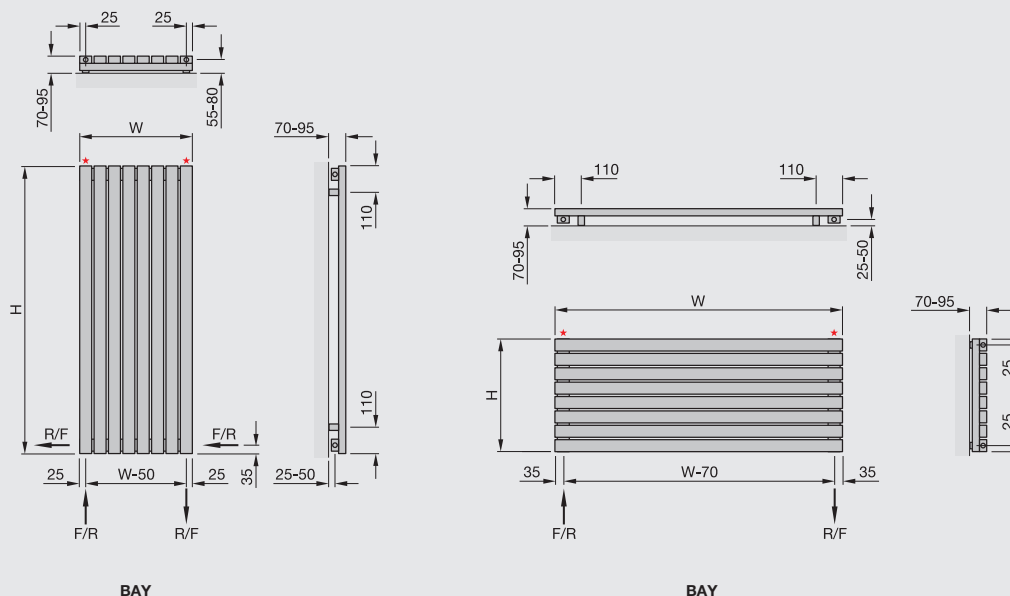
KEA-140-050 BRUSHED STAINLESS STEEL

Stainless Steel STOCK listed in black	Height mm	Width mm	Finish	Number of elements	Output $\Delta T=50K$ Watts/btu All outputs certified to EN 442	Weight kg	RRP (ex VAT)	RRP (inc 20% VAT)
Zehnder Bay Vertical stainless steel (brushed)								
BAY-100-053	1000	530	stainless steel	9	421/1436	15.3	£656	£787.20
BAY-120-047	1200	470	stainless steel	8	458/1563	16.0	£690	£828.00
BAY-120-053	1200	530	stainless steel	9	516/1761	18.0	£766	£919.20
BAY-150-029	1500	290	stainless steel	5	365/1245	12.5	£547	£656.40
BAY-170-029	1700	290	stainless steel	5	412/1406	14.0	£631	£757.20
BAY-170-047	1700	470	stainless steel	8	659/2249	22.4	£987	£1,184.40
BAY-170-053	1700	530	stainless steel	9	742/2532	25.2	£1,092	£1,310.40

Stainless Steel STOCK listed in black	Height mm	Width mm	Finish	Number of elements	Output $\Delta T=50K$ Watts/btu All outputs certified to EN 442	Weight kg	RRP (ex VAT)	RRP (inc 20% VAT)
Zehnder Bay Horizontal stainless steel (brushed)								
BAY-100-053	530	1000	stainless steel	9	421/1436	15.3	£656	£787.20
BAY-120-047	470	1200	stainless steel	8	458/1563	16.0	£690	£828.00
BAY-120-053	530	1200	stainless steel	9	516/1761	18.0	£766	£919.20
BAY-150-029	290	1500	stainless steel	5	365/1245	12.5	£547	£656.40
BAY-170-029	290	1700	stainless steel	5	412/1406	14.0	£631	£728.40
BAY-170-047	470	1700	stainless steel	8	659/2249	22.4	£987	£1,184.20
BAY-170-053	530	1700	stainless steel	9	742/2532	25.2	£1,092	£1,310.40

Accessories			
Model		RRP (ex VAT)	RRP (inc 20% VAT)
TPEG-0008	Bay Peg Chrome finish	£37	£44.40
TBAR-9517	Bay Towel Bar 290mm Brushed stainless steel finish	£77	£92.40
TBAR-9516	Bay Towel Bar 290mm Polished stainless steel finish	£106	£127.20

*1/2" air vent
 Height excludes air vent
 F = flow
 R = return
 H = height
 W = width
 Tube: 30x50mm
 All dimensions in mm



For full compliant technical specifications, refer to page 140
 To make an approximate conversion from T=50K to T=60K multiply outputs by 1.2

Zehnder Bay



Stainless steel radiator with a brushed finish. Attractively proportioned with 8 connection possibilities for total flexibility, to suit any installation requirement.



Accessories: see page 130



Valves: see page 132



Towel bars: see page 131



BAY-170-029 BRUSHED STAINLESS STEEL



BAY-120-053 BRUSHED STAINLESS STEEL





Radiators - for every room.

Style is not just reserved for the bathroom! This range of room radiators offers inspirations for the rest of the house.

Show off your personality and choose between classic and contemporary designs for every room in your home.

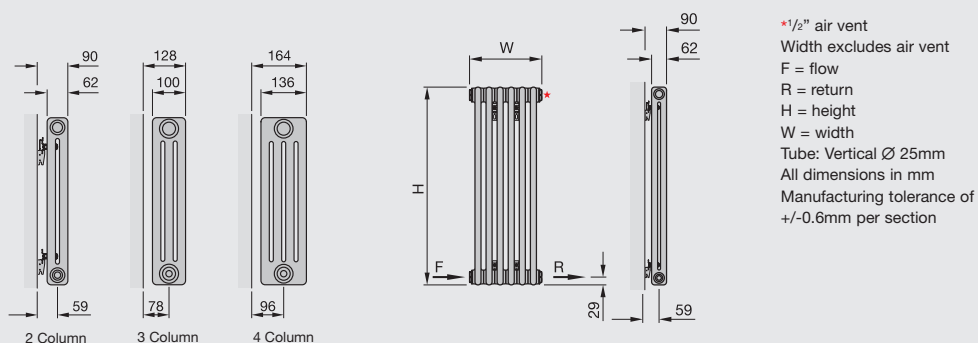


MEH-180-040 VOLCANIC

Central Heating Model STOCK listed in black	Height mm	Width mm	Overall Projection	No. of sections	Output $\Delta T=50K$ Watts/Btu All outputs certified to EN 442	Weight kg	RRP (ex VAT)	RRP (inc 20% VAT)
Zehnder Charleston Horizontal white RAL 9016 - 2 column								
2050-10	492	486	90	10	384/1310	7.9	£162	£194.40
2050-14	492	670	90	14	538/1836	11.0	£226	£271.20
2050-18	492	854	90	18	691/2358	14.2	£291	£349.20
2050-22	492	1038	90	22	845/2883	17.4	£356	£427.20
2050-26	492	1222	90	26	998/3405	20.5	£420	£504.00
2060-10	592	486	90	10	453/1546	9.5	£167	£200.40
2060-14	592	670	90	14	634/2163	13.3	£234	£280.80
2060-18	592	854	90	18	815/2781	17.1	£301	£361.20
2060-22	592	1038	90	22	997/3402	20.9	£368	£441.60
2060-24	592	1130	90	24	1080/3685	22.8	£401	£481.20
2060-28	592	1314	90	28	1260/4284	26.6	£468	£561.60
Zehnder Charleston Horizontal white RAL 9016 - 3 column								
3050-14	500	670	128	14	722/2463	16.6	£269	£322.80
3050-18	500	854	128	18	929/3170	21.4	£345	£414.00
3050-22	500	1038	128	22	1135/3873	26.2	£422	£506.40
3050-26	500	1222	128	26	1342/4579	30.9	£499	£598.80
3050-30	500	1406	128	30	1548/5282	35.7	£575	£690.00
3060-10	600	486	128	10	609/2078	13.9	£203	£243.60
3060-14	600	670	128	14	853/2910	19.4	£284	£340.80
3060-18	600	854	128	18	1096/3740	24.9	£365	£438.00
3060-20	600	946	128	20	1220/4163	27.7	£405	£486.00
3060-24	600	1130	128	24	1464/4995	33.2	£486	£583.20
3060-27	600	1268	128	27	1645/5613	37.3	£547	£656.40
3060-30	600	1406	128	30	1827/6234	41.6	£608	£729.60
3060-34	600	1590	128	34	2071/7066	47.0	£689	£826.80
3075-14	750	670	128	14	1040/3548	24.3	£318	£381.60
3075-22	750	1038	128	22	1635/5579	38.2	£500	£600.00
3075-26	750	1222	128	26	1932/6592	45.1	£590	£708.00
Zehnder Charleston Horizontal white RAL 9016 - 4 column								
4030-20	300	946	164	20	840/2866	21.3	£407	£488.40
4030-30	300	1406	164	30	1260/4299	32.0	£611	£733.20
4060-14	600	670	164	14	1117/3811	27.3	£298	£357.60
4060-18	600	854	164	18	1436/4900	35.1	£384	£460.80
4060-20	600	946	164	20	1592/5459	39.0	£426	£511.20
4060-24	600	1130	164	24	1920/6551	46.8	£512	£614.40
4075-14	750	670	164	14	1364/4654	33.6	£360	£432.00
4075-18	750	854	164	18	1753/5981	43.2	£463	£555.60
4075-22	750	1038	164	22	2143/7312	52.8	£566	£679.20
4075-26	750	1222	164	26	2532/8639	62.5	£668	£801.60
Zehnder Charleston Horizontal anthracite - 3 column								
3060-10-0346	600	486	128	10	609/2078	13.9	£233	£279.60
3060-14-0346	600	670	128	14	853/2910	19.4	£327	£392.40
3060-18-0346	600	854	128	18	1096/3740	24.9	£420	£504.00
3060-20-0346	600	946	128	20	1220/4163	27.7	£466	£559.20
3060-24-0346	600	1130	128	24	1464/4995	33.2	£559	£670.80
3060-27-0346	600	1268	128	27	1645/5613	37.3	£629	£754.80
3060-30-0346	600	1406	128	30	1827/6234	41.6	£699	£838.80
3060-34-0346	600	1590	128	34	2071/7066	47.0	£792	£950.40

Model code breakdown: eg. 3060-34 = 3 (number of columns), 060 (600mm high), 34 (number of sections).

Colour finish: Standard colours from the Zehnder colour chart including matt white finish: white RAL 9016 + 25%. Colour finish and non-stock products delivery: 15 working days.



For further technical drawings please see page 82

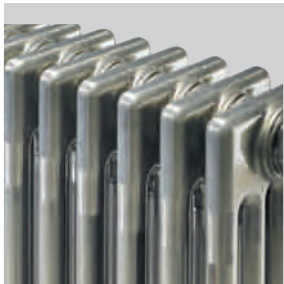
Don't forget to use your Charleston radiator packaging to protect your new radiator whilst decorating - see the cardboard outer for details.

For full **CE** compliant technical specifications, refer to page 140
 To make an approximate conversion from T=50K to T=60K multiply outputs by 1.2

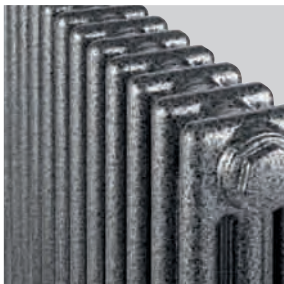
Zehnder Charleston



The Zehnder Charleston multi-column design is equally at home in modern environments, and is available in a wide range of stocked horizontal and vertical models, or made-to-measure, including angled and curved.



Technoline 0325



Black-silver hammered 0422



Adjustable foot



Cast iron foot



2050-18 TRAFFIC WHITE

CHARLESTON VERTICAL

Central Heating Model STOCK listed in black	Height mm	Width mm	Overall Projection	No. of sections	Output $\Delta T=50K$ Watts/Btu All outputs certified to EN 442	Weight kg	RRP (ex VAT)	RRP (inc 20% VAT)
Zehnder Charleston Vertical white RAL 9016 - 2 column								
2180-6	1792	306	90	6	744/2539	16.4	£239	£286.80
2180-8	1792	398	90	8	992/3385	21.9	£319	£382.80
2180-10	1792	490	90	10	1240/4231	27.3	£399	£478.80
2180-12	1792	582	90	12	1488/5077	32.8	£478	£573.60
Zehnder Charleston Vertical anthracite - 2 column								
2180-8-0346	1792	398	90	8	995/3393	21.9	£367	£440.40
2180-10-0346	1792	490	90	10	1244/4242	27.3	£459	£550.80
2180-12-0346	1792	582	90	12	1493/5091	32.8	£550	£660.00
Zehnder Charleston Vertical white RAL 9016 - 3 column								
3180-6	1800	306	128	6	996/3398	24.6	£328	£393.60
3180-8	1800	398	128	8	1328/4531	32.8	£437	£524.40
3180-10	1800	490	128	10	1660/5664	41.0	£546	£655.20

Model code breakdown: eg. 3180-6 = 3 (number of columns), 180 (1800mm high), 6 (number of sections).

Colour finish: Standard colours from the Zehnder colour chart including matt white finish: white RAL 9016 + 25%. Colour finish and non-stock products delivery: 15 working days.

Accessories

Model		RRP (ex VAT)	RRP (inc 20% VAT)
966018	Charleston chrome towel bar 368mm	£133	£159.60
966028	Charleston chrome towel bar 918mm	£148	£177.60

The additional chrome bars (above) can be cut down to fit if required

CTR-28	Chrome towel rail. Spans across 6 elements	£112	£134.40
CTR-37	Chrome towel rail. Spans across 8 elements	£119	£142.80
CTR-46	Chrome towel rail. Spans across 10 elements	£123	£147.60
CTR-55	Chrome towel rail. Spans across 12 elements	£126	£151.20
CTR-64	Chrome towel rail. Spans across 14 elements	£134	£160.80

Contains full length rail and two brackets.



*1/2" air vent
Width excludes air vent
F = flow
R = return
H = height
W = width
Tube: Vertical \varnothing 25mm
All dimensions in mm
Manufacturing tolerance of ± 0.6 mm per section

For further technical drawings please see next page

For full **CE** compliant technical specifications, refer to page 140
To make an approximate conversion from T=50K to T=60K multiply outputs by 1.2

Zehnder Charleston



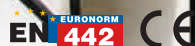
The Zehnder Charleston multi-column design is equally at home in modern environments, and is available in a wide range of stocked horizontal and vertical models, or made-to-measure, including angled and curved.



Valves: see page 132



CTR towel bar



3180-10 SAND QUARTZ

Nominal Height mm	Model code	Output 50ΔT Watts/BTU	RRP white (ex VAT)	RRP colour (ex VAT)	Model code	Output 50ΔT Watts/BTU	RRP white (ex VAT)	RRP colour (ex VAT)	Model code	Output 50ΔT Watts/BTU	RRP white (ex VAT)	RRP colour (ex VAT)
2 column					3 column				4 column			
300	2030	24/81	£16.02	£20.03	3030	32/109	£18.96	£23.70	4030	42/143	£20.35	£25.44
400	2040	31/106	£16.07	£20.09	3040	42/143	£19.06	£23.83	4040	55/187	£21.10	£26.38
450	2045	35/119	£16.12	£20.15	3045	47/160	£19.13	£23.91	4045	61/209	£21.15	£26.44
500	2050	38/131	£16.17	£20.21	3050	52/176	£19.18	£23.98	4050	68/232	£21.21	£26.51
550	2055	42/143	£16.66	£20.83	3055	56/192	£20.20	£25.25	4055	74/251	£21.27	£26.59
600	2060	45/155	£16.71	£20.89	3060	61/208	£20.25	£25.31	4060	80/272	£21.32	£26.65
750	2075	55/188	£19.39	£24.24	3075	74/254	£22.71	£28.39	4075	97/332	£25.71	£32.14
900	2090	64/218	£22.39	£27.99	3090	87/297	£26.78	£33.48	4090	114/389	£31.06	£38.83
1000	2100	70/239	£24.64	£30.80	3100	95/324	£28.92	£36.15	4100	125/427	£34.28	£42.85
1200	2120	83/282	£30.64	£38.30	3120	115/392	£38.56	£48.20	4120	147/502	£48.20	£60.25
1500	2150	104/355	£36.10	£45.13	3150	140/478	£47.13	£58.91	4150	180/614	£61.06	£76.33
1800	2180	124/423	£39.85	£49.81	3180	166/566	£54.63	£68.29	4180	213/727	£68.56	£85.70
2000	2200	138/471	£43.92	£54.90	3200	183/624	£62.13	£77.66	4200	234/798	£76.06	£95.08

Nominal Height mm	Model code	Output 50ΔT Watts/BTU	RRP white (ex VAT)	RRP colour (ex VAT)
5 column				
300	5030	52/177	£26.78	£33.48
400	5040	68/232	£27.85	£34.81
450	5045	76/259	£28.92	£36.15
500	5050	84/285	£29.46	£36.83
550	5055	91/310	£30.64	£38.30
600	5060	99/336	£31.71	£39.64
750	5075	120/409	£32.78	£40.98
900	5090	141/481	£37.17	£46.46
1000	5100	154/525	£42.63	£53.29
1200	5120	179/611	£55.70	£69.63
1500	5150	219/747	£74.34	£92.93

Model code	Output 50ΔT Watts/BTU	RRP white (ex VAT)	RRP colour (ex VAT)
6 column			
6030	61/209	£31.31	£41.64
6040	81/275	£34.92	£43.65
6045	90/306	£35.78	£44.73
6050	99/338	£36.64	£45.80
6055	108/369	£37.71	£47.14
6060	117/399	£38.78	£48.48
6075	143/488	£40.38	£50.48
6090	167/570	£47.03	£58.79
6100	183/624	£53.56	£66.95
6120	210/717	£69.95	£87.44
6150	256/873	£87.41	£109.26

All data and prices per 46mm section

Dimensions:

Nominal overall radiator length = (No. of sections x 46mm) + 26mm (Manufacturing tolerance of +/- 1.5% in length, +/- 2mm in height, +/- 5mm in depth).

Selection example:

Output required: approximately 1000 watts

Dimensions required:

approximately 600mm H x 900mm L

Formula: (No. of sections x 46mm) + 26mm

Calculation of sections:

900mm - 26mm divided by 46 = 19 sections

1000w divided by 19 section =

approximately 52 watts/section required

Radiator selection: 3050 = 52 watts/section

52w x 19 section = 988 watts (50ΔT)

Price calculation:

19 sections x £18.44 = £350.36 plus vat

Colour finish: Standard colours from the Zehnder colour chart including matt white finish: white RAL 9016 + 25%. Colour finish and non-stock products delivery: 15 working days.

Optional Foot Supports

Model	No of Feet	RRP white (ex VAT)	RRP colour (ex VAT)
Welded-on fixed - 150mm (WF150) or adjustable fixed - 120-170mm (WF120) feet with cover plate			
Price per radiator			

	8 - 20 sections	2	£63.00	£78.75
	21 - 40 sections	3	£94.50	£118.13
	41 - 60 sections	4	£126.00	£157.50


Welded-on traditional - 100mm (WF100) or 150mm (WFTF150) feet

Price per radiator

	2 - 20 sections	2 pairs	£86.00	£107.50
	21 - 40 sections	3 pairs	£129.00	£161.25
	41 - 60 sections	4 pairs	£172.00	£215.00

Adjustable foot (100-150mm).

Price per foot

	976131 white	1	£31.00	
	976139 colour	1		£39.00

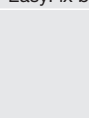
Must always be used with wall brackets

Cast iron foot (100mm high)


Price per foot

	ZPGG-9016	1	£21.00	
	White			

EasyFix brackets

	SMB-2PC		£32.00	£39.00
	SMB-3PC		£48.00	£58.00
	SMB-4PC		£64.00	£64.00
	SMB-5PC		£80.00	£83.00

Prices for Easyfix Brackets are given as a guide – please contact us to determine which brackets you require depending on the size of your radiator

For full  compliant technical specifications, refer to page 140

To make an approximate conversion from T=50K to T=60K multiply outputs by 1.2

Technical Information

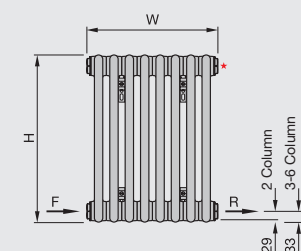
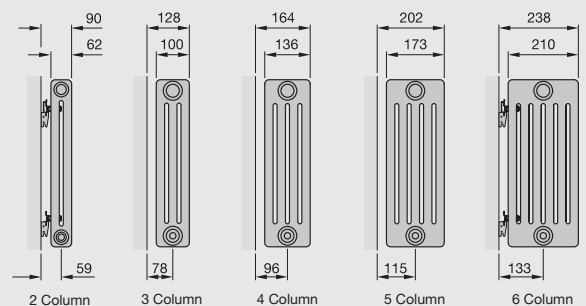
Please note: We only supply complete radiators.

Additional sections cannot be joined to our stock range of radiators.

Prices for curved or angled radiators on application.

The number of sections/length is virtually unlimited. Practicality regarding weights, handling and accessibility should be taken into consideration.

Large radiators may be supplied in modules to be assembled on site.

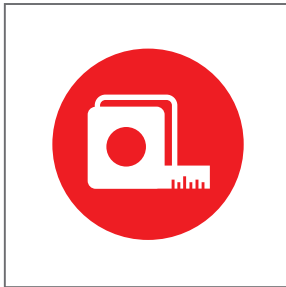


*1/2" air vent
Width excludes air vent
F = flow
R = return
H = height
W = width
Tube: Vertical Ø 25mm
All dimensions in mm

Zehnder Charleston



The Zehnder Charleston multi-column is available made-to-measure as vertical and horizontal models including angled and curved.



Made-to-measure



Standard CVD brackets supplied with Charleston radiators - colour to match the radiator



EasyFix bracket for radiators 300mm to 1000mm in height



EasyFix bracket for radiators below 260mm and above 1100mm in height



TRAFFIC WHITE



BARE METAL LACQUER



CHARLESTON MIRROR & CHARLESTON RELAX

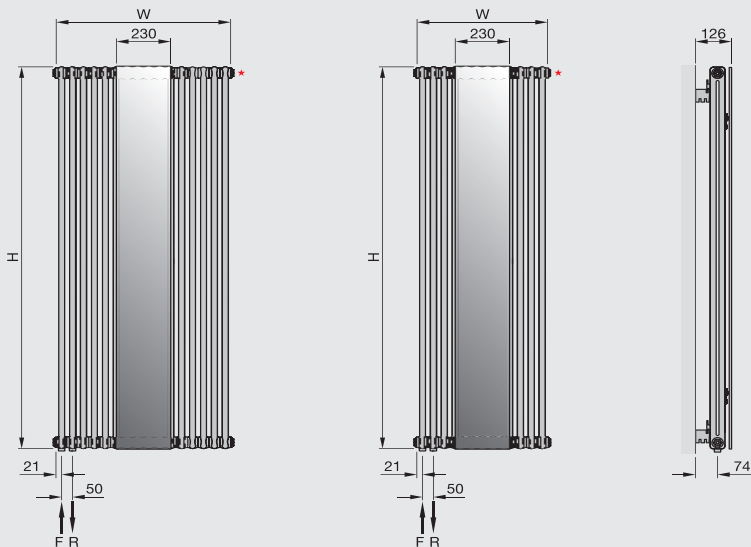
Central Heating Model STOCK listed in black	Height mm	Width mm	Finish	Depth mm	Output $\Delta T=50K$ Watts/btu All outputs certified to EN 442	Centre from wall	Overall projection	Weight kg	RRP (ex VAT)	RRP (inc 20% VAT)
Zehnder Charleston Mirror										
CM2180-12	1792	578	white	83	1401/4780	74	126	33.6	£575	£690.00
CM2180-16	1792	762	white	83	1792/6114	74	126	44.8	£674	£808.80

Colour finish: Standard colours from the Zehnder colour chart including matt white finish: white RAL 9016 + 25%. Colour finish and non-stock products delivery: 15 working days.

Accessories

Model		RRP (ex VAT)	RRP (inc 20% VAT)
601020	Lambswool cleaning brush	£54	£68.80
Adjustable feet (height 100 to 150mm)			
976131	white	£31	£37.20
976139 + colour	colour	£39	£46.80
Cast iron foot (height 100mm)			
ZPGG-9016	white	£21	£25.20

*1/2" air vent
 F = flow
 R = return
 H = height
 W = width
 Tube: \varnothing 25mm
 All dimensions in mm



Central Heating Model STOCK listed in black	Height mm	Width mm	Finish	Depth mm	Output $\Delta T=50K$ Watts/btu All outputs certified to EN 442	Centre from wall	Overall projection	Weight kg	RRP (ex VAT)	RRP (inc 20% VAT)
Zehnder Charleston Relax										
CR5026-13	455	800	white	250	543/1852	195	320	18.6	£655	£786.00
CR5026-18	455	1000	white	250	747/2549	195	320	25.1	£727	£872.40

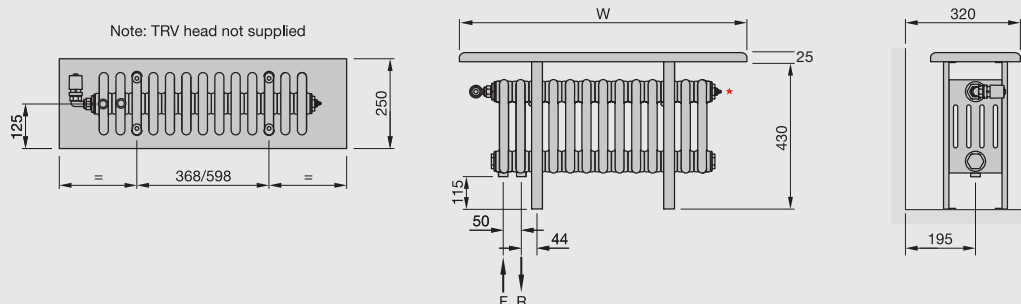
Bench seat: multiplex wood with beech finish

Colour finish: Standard colours from the Zehnder colour chart including matt white finish: white RAL 9016 + 25%. Colour finish and non-stock products delivery: 15 working days.

Accessories

Model		RRP (ex VAT)	RRP (inc 20% VAT)
819088	Chrome TRV Head (M30 x 1.5) note: TRV Head not supplied with the radiator	£22	£26.40
601020	Lambswool cleaning brush	£54	£64.80

*1/2" air vent
 F = flow
 R = return
 H = height
 W = width
 Tube: \varnothing 25mm
 All dimensions in mm



For full **CE** compliant technical specifications, refer to page 140
 To make an approximate conversion from T=50K to T=60K multiply outputs by 1.2

Zehnder Charleston Mirror



Warmth and comfort with a full-length mirror to enhance its elegance.



Valves: see page 132



CM2180-16 TRAFFIC WHITE

Zehnder Charleston Relax



Practical and clever for modern life styles, especially ideal for hallways and conservatories.





Valves: see page 132



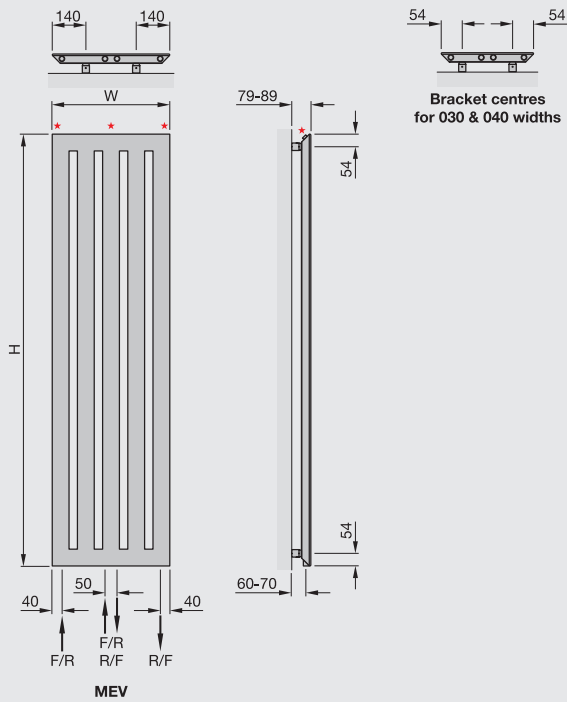
CR5026-18 TRAFFIC WHITE


METROPOLITAN VERTICAL

Central Heating Model STOCK listed in black	Height mm	Width mm	No. of sections	Finish	Output $\Delta T=50K$ Watts/btu All outputs certified to EN 442	Weight kg	RRP (ex VAT)	RRP (inc 20%) VAT
 Zehnder Metropolitan vertical tubes								
MEV-180-030	1800	280	3	white	490/1672	11.3	£379	£454.80
MEV-180-040	1800	385	4	white	643/2194	14.6	£437	£524.40
MEV-180-050	1800	490	5	white	791/2699	17.9	£501	£601.20
MEV-180-060	1800	595	6	white	934/3187	21.3	£570	£684.00
MEV-200-040	2000	385	4	white	714/2436	16.1	£479	£574.80
MEV-200-050	2000	490	5	white	878/2996	19.8	£555	£666.00
MEV-200-060	2000	595	6	white	1037/3538	23.5	£632	£758.40
MEV-180-030-0336	1800	280	3	volcanic	490/1672	11.3	£474	£568.80
MEV-180-040-0336	1800	385	4	volcanic	643/2194	14.6	£546	£655.20
MEV-180-050-0336	1800	490	5	volcanic	791/2699	17.9	£626	£751.20

 **Colour finish:** Standard colours from the Zehnder colour chart including matt white finish: white RAL 9016 + 25%. Colour finish and non-stock products delivery: 20 working days.

*1/2" air vent
 Frame: 70mm x 39mm triangular tubes
 Flat tubes: 70mm x 8mm
 F = flow
 R = return
 H = height
 W = width
 All dimensions in mm



For full  compliant technical specifications, refer to page 140
 To make an approximate conversion from T=50K to T=60K multiply outputs by 1.2

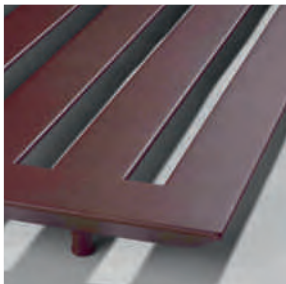
Zehnder Metropolitan



The Zehnder Metropolitan has a contemporary, minimalist appearance. Designed in Italy by the award-winning King and Miranda, the Metropolitan has beautiful clean cut lines to give a geometric shape with stylish sloping edges.



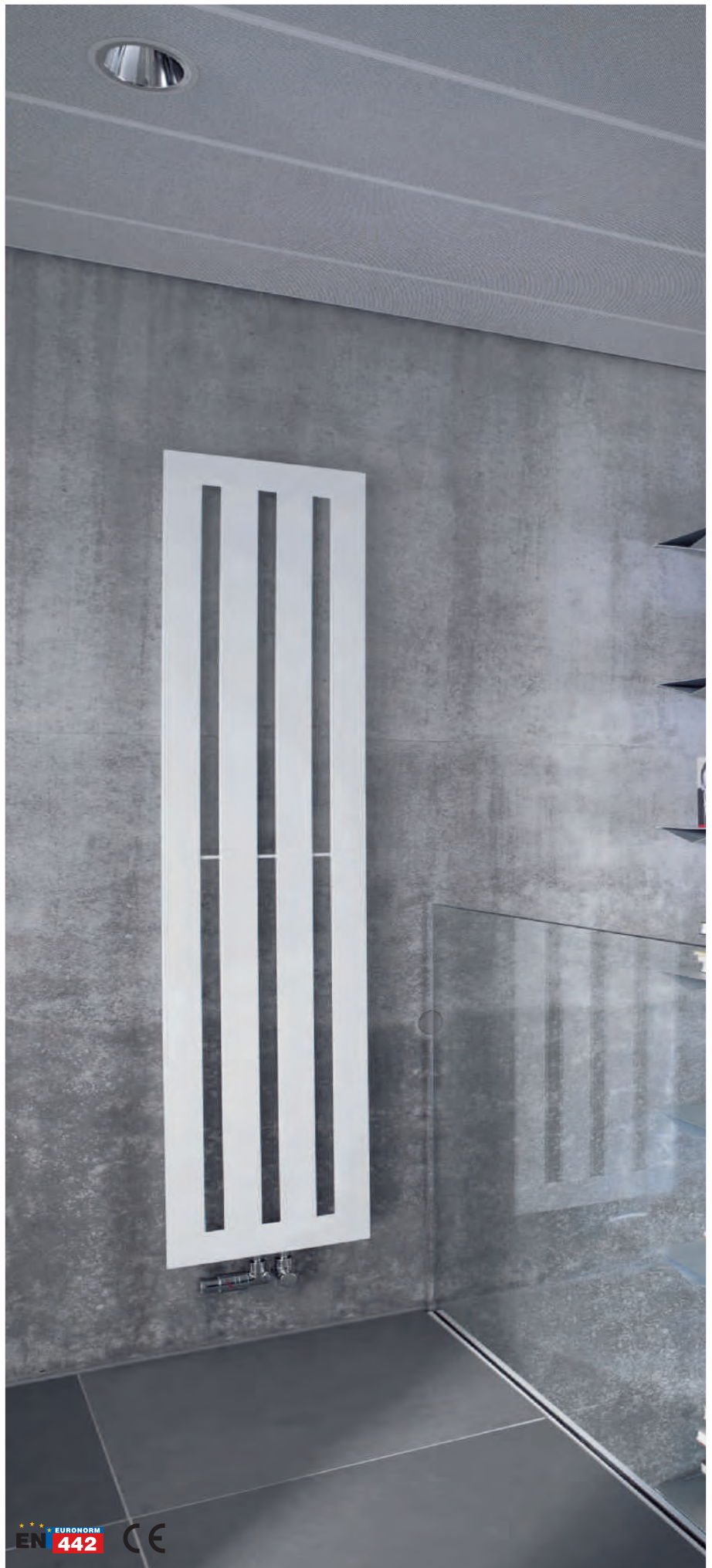
White Aluminium



Amethyst Quartz



Valves: see page 132



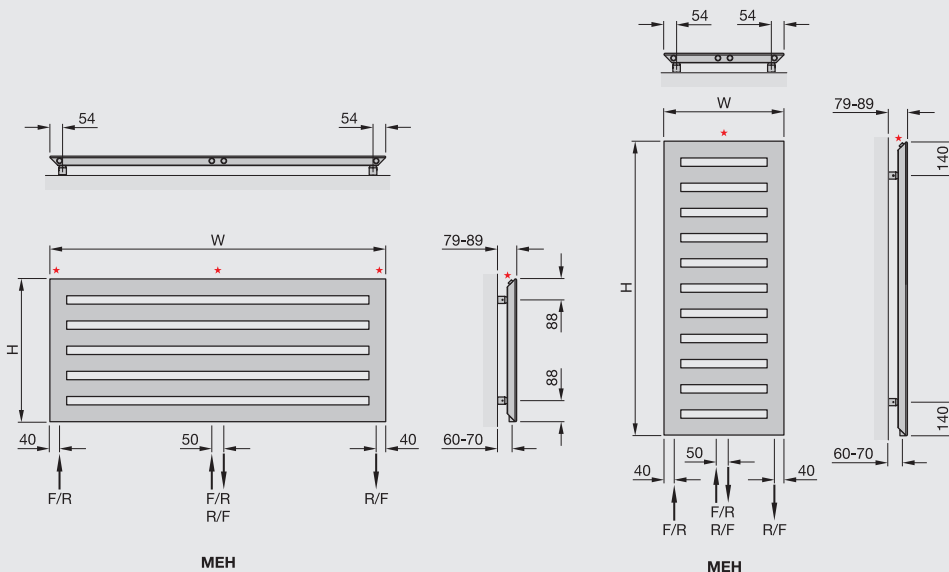
Central Heating Model STOCK listed in black	Height mm	Width mm	No. of sections	Finish	Output $\Delta T=50K$ Watts/btu All outputs certified to EN 442	Weight kg	RRP (ex VAT)	RRP (inc 20%) VAT
Zehnder Metropolitan horizontal tubes								
MEH-030-140	280	1400	3	white	376/1283	8.31	£383	£459.60
MEH-040-140	385	1400	4	white	474/1617	10.3	£437	£524.40
MEH-040-160	385	1600	4	white	542/1849	11.7	£452	£542.40
MEH-050-140	490	1400	5	white	585/1996	12.8	£476	£571.20
MEH-050-160	490	1600	5	white	669/2283	14.6	£493	£591.60
MEH-050-180	490	1800	5	white	753/2569	16.3	£514	£616.80
MEH-060-090	595	900	6	white	447/1525	10.1	£476	£571.20
MEH-060-140	595	1400	6	white	695/2371	15.3	£524	£628.80
MEH-060-160	595	1600	6	white	794/2709	17.4	£545	£654.00
MEH-060-180	595	1800	6	white	894/3050	19.5	£566	£679.20
MEH-060-200	595	2000	6	white	993/3388	21.6	£590	£708.00
MEH-080-050	805	500	8	white	387/1320	8.2	£431	£517.20
MEH-080-060	805	600	8	white	449/1532	9.7	£444	£532.80
MEH-120-040	1225	400	12	white	469/1600	10.3	£470	£564.00
MEH-120-050	1225	500	12	white	563/1921	12.4	£478	£573.60
MEH-120-060	1225	600	12	white	653/2228	14.5	£497	£596.40
MEH-150-040	1540	400	15	white	582/1986	12.0	£555	£666.00
MEH-150-050	1540	500	15	white	730/2491	14.4	£565	£678.00
MEH-150-060	1540	600	15	white	871/2972	16.8	£583	£699.60
MEH-180-040	1750	400	17	white	663/2262	14.4	£620	£744.00
MEH-180-050	1750	500	18	white	795/2713	17.4	£631	£757.20

Colour finish: Standard colours from the Zehnder colour chart including matt white finish: white RAL 9016 + 25%. Colour finish and non-stock products delivery: 20 working days.

MEH accessories

Model		RRP (ex VAT)	RRP (inc 20% VAT)
468038	Towel-bar for 400 mm width radiator, chrome plated	£98	£117.60
468048	Towel-bar for 500 mm width radiator, chrome plated	£100	£120.00
468058	Towel-bar 600 mm width radiator, two fixing points, chrome plated	£103	£123.60
480438	Set of hooks (2 pcs.), to clip on, chrome plated	£44	£52.80

*1/2" air vent
 Frame: 70mm x 39mm triangular tubes
 Flat tubes: 70mm x 8mm
 F = flow
 R = return
 H = height
 W = width
 All dimensions in mm



For full compliant technical specifications, refer to page 140
 To make an approximate conversion from T=50K to T=60K multiply outputs by 1.2

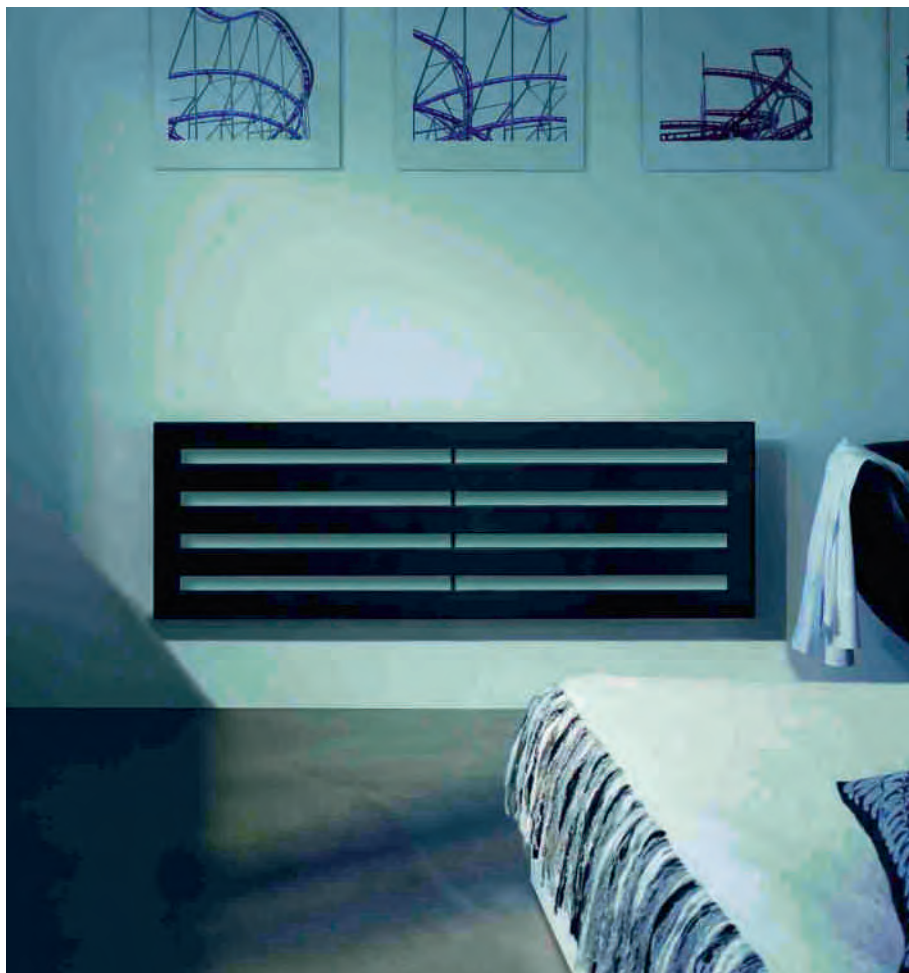
Zehnder Metropolitan



The Zehnder Metropolitan has clean lines and a contemporary, modern appeal. The Metropolitan is available in both landscape and portrait formats, with an optional bar as a useful yet attractive accessory.



Metropolitan Hook Chrome



MEH-050-160 VOLCANIC



MEH-150-050 GOLD LOOK



Central Heating Model STOCK listed in black	Height mm	Width mm	Overall projection	Finish	Number of tubes	Output $\Delta T=50K$ Watts/btu All outputs certified to EN 442	Weight kg	RRP (ex VAT)	RRP (inc 20% VAT)
Zehnder Roda Vertical Single panel									
ROV-180-029	1800	296	70	white	4	568/1940	12.0	£268	£321.60
ROV-180-037	1800	370	70	white	5	710/2425	15.0	£335	£402.00
ROV-180-044	1800	444	70	white	6	852/2910	18.0	£402	£482.40
ROV-180-051	1800	518	70	white	7	994/3395	21.0	£469	£562.80
ROV-180-059	1800	592	70	white	8	1136/3880	24.0	£536	£643.20
ROV-180-066	1800	666	70	white	9	1278/4365	27.0	£603	£723.60

Zehnder Roda Vertical Double panel									
ROVD-180-029	1800	296	93	white	4	824/2812	22.4	£492	£590.40
ROVD-180-037	1800	370	93	white	5	1030/3515	28.0	£615	£738.00
ROVD-180-044	1800	444	93	white	6	1236/4218	33.6	£738	£885.60
ROVD-180-051	1800	518	93	white	7	1442/4921	39.2	£861	£1,033.20
ROVD-180-059	1800	592	93	white	8	1648/5624	44.8	£984	£1,180.80
ROVD-180-066	1800	666	93	white	9	1854/6327	50.4	£1,107	£1,328.40

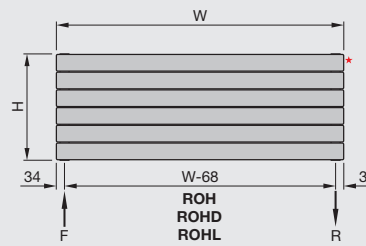
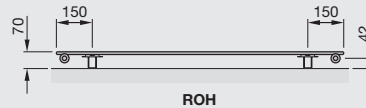
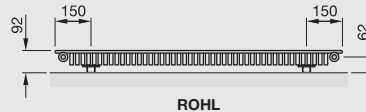
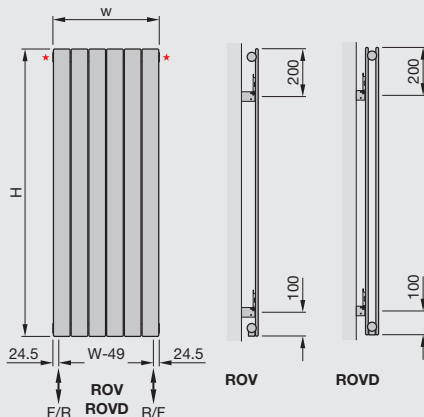
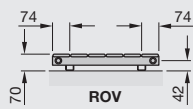
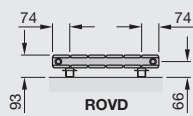
ROV & ROVD can be installed horizontally with TBSE connections either side.

Central Heating Model STOCK listed in black	Height mm	Width mm	Overall projection	Finish	Number of tubes	Output $\Delta T=50K$ Watts/btu All outputs certified to EN 442	Weight kg	RRP (ex VAT)	RRP (inc 20% VAT)
Zehnder Roda Horizontal Single panel									
ROH-052-100	518	1000	70	white	7	586/1999	13.4	£330	£396.00
ROH-052-120	518	1200	70	white	7	703/2399	16.1	£396	£475.20
ROH-059-100	592	1000	70	white	8	665/2269	14.1	£358	£429.60
ROH-059-120	592	1200	70	white	8	798/2723	18.1	£430	£515.52
ROH-059-140	592	1400	70	white	8	931/3177	19.7	£501	£601.44

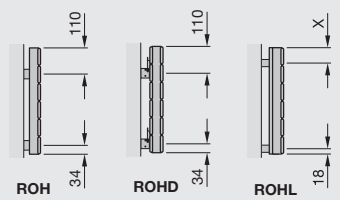
Zehnder Roda Horizontal Single panel with single convector fin									
ROHL-059-060	592	600	92	white	8	636/2170	13.2	£311	£373.68
ROHL-059-080	592	800	92	white	8	848/2894	17.6	£415	£498.24
ROHL-059-100	592	1000	92	white	8	1060/3617	22.0	£519	£622.80
ROHL-059-120	592	1200	92	white	8	1272/4340	26.4	£623	£747.36

Zehnder Roda Horizontal Double panel									
ROHD-059-060	592	600	93	white	8	641/2187	16.5	£386	£463.20
ROHD-059-080	592	800	93	white	8	855/2916	22.0	£515	£618.00
ROHD-059-100	592	1000	93	white	8	1069/3645	27.4	£644	£772.80
ROHD-059-120	592	1200	93	white	8	1283/4374	32.9	£773	£927.60

Colour finish: Standard colours from the Zehnder colour chart including matt white finish: white RAL 9016 + 25%. Colour finish and non-stock products delivery: 17 working days.



*1/8" air vent
Width excludes air vent
F = flow
R = return
H = height
W = width
Tube dimensions 70mm x 11mm
Vertical tubes: \varnothing 38mm
All dimensions in mm



ROHL: Refer to page 89

flow & return can be manufactured reversed on request

For full CE compliant technical specifications, refer to page 140
To make an approximate conversion from T=50K to T=60K multiply outputs by 1.2

Zehnder Roda



A simple, effective and efficient design radiator, the Zehnder Roda radiator is perfect for all living areas, and is also available made-to-measure.



Accessories: see page 130



Valves: see page 132



ROVD-180-029 TRAFFIC WHITE



ROH-052-100 TRAFFIC WHITE



Zehnder Roda (ROV) vertical, single panel white										
Width		Height (mm)								
(mm)	No of tubes	ROV-060 600	ROV-080 800	ROV-100 1000	ROV-120 1200	ROV-140 1400	ROV-160 1600	ROV-180 1800	ROV-200 2000	ROV-220 2200
444	6	£282	£312	£330	£342	£360	£372	£402	£450	£522
518	7	£329	£364	£385	£399	£420	£434	£469	£525	£609
592	8	£376	£416	£440	£456	£480	£496	£536	£600	£696
666	9	£423	£468	£495	£513	£540	£558	£603	£675	£783
740	10	£470	£520	£550	£570	£600	£620	£670	£750	£870
814	11	£517	£572	£605	£627	£660	£682	£737	£825	£957
888	12	£564	£624	£660	£684	£720	£744	£804	£900	£1,044
Technical data per tube	Weight (kg)	1.3	1.6	1.9	2.1	2.4	2.7	3.0	3.3	3.6
	Output 50ΔT Watts/BTU	52/177	68/232	83/283	98/334	113/386	127/433	142/485	155/529	169/577

Output calculation example 50Δt (watts): 1800H x 592W: 142 x 8 = 1136w

Zehnder Roda (ROVD) vertical, double panel white										
Width		Height (mm)								
(mm)	No of tubes	ROVD-060 600	ROVD-080 800	ROVD-100 1000	ROVD-120 1200	ROVD-140 1400	ROVD-160 1600	ROVD-180 1800	ROVD-200 2000	ROVD-220 2200
444	6	£510	£564	£606	£618	£648	£672	£738	£846	£942
518	7	£595	£658	£707	£721	£756	£784	£861	£987	£1,099
592	8	£680	£752	£808	£824	£864	£896	£984	£1,128	£1,256
666	9	£765	£846	£909	£927	£972	£1,008	£1,107	£1,269	£1,413
740	10	£850	£940	£1,010	£1,030	£1,080	£1,120	£1,230	£1,410	£1,570
814	11	£935	£1,034	£1,111	£1,133	£1,188	£1,232	£1,353	£1,551	£1,727
888	12	£1,020	£1,128	£1,212	£1,236	£1,296	£1,344	£1,476	£1,692	£1,884
Technical data per tube	Weight (kg)	2.1	2.7	3.3	3.9	4.4	5.0	5.6	6.2	6.7
	Output 50ΔT (Watts/BTU)	77/263	100/341	122/416	144/491	165/563	186/635	206/703	225/768	244/833

Output calculation example 50Δt (watts): 1800H x 592W: 206 x 8 = 1648w

Zehnder Roda (ROH) horizontal, single panel white													
Model Code	Height		Technical data per metre		Width (mm)								
	(mm)	No of tubes	Weight (kg)	Output 50ΔT Watts/BTU	600	800	1000	1200	1400	1600	1800	2000	2200
ROH-030	296	4	7.2	344/1174	£149	£198	£248	£298	£347	£397	£446	£496	£546
ROH-037	370	5	9.0	425/1450	£165	£220	£275	£330	£385	£440	£495	£550	£605
ROH-044	444	6	10.7	506/1726	£182	£242	£303	£364	£424	£485	£545	£606	£667
ROH-052	518	7	12.4	586/1999	£198	£264	£330	£396	£462	£528	£594	£660	£726
ROH-060	592	8	14.1	665/2269	£215	£286	£358	£430	£501	£573	£644	£716	£788
ROH-067	666	9	16.0	744/2537	£231	£308	£385	£462	£539	£616	£693	£770	£847
ROH-074	740	10	17.8	823/2806	£248	£330	£413	£496	£578	£661	£743	£826	£909

Output calculation example 50Δt (watts): 518H x 1200L: 586 x 1.2 = 667w

Zehnder Roda (ROHL) horizontal, single panel, single fin white													
Model Code	Height		Technical data per metre		Width (mm)								
	(mm)	No of tubes	Weight (kg)	Output 50ΔT Watts/BTU	600	800	1000	1200	1400	1600	1800	2000	2200
ROHL-014	148	2	7.0	350/1194	£167	£222	£278	£334	£389	£445	£500	£556	£612
ROHL-022	222	3	10.7	511/1744	£191	£254	£318	£382	£445	£509	£572	£636	£700
ROHL-030	296	4	14.3	637/2173	£215	£287	£359	£431	£503	£574	£646	£718	£790
ROHL-037	370	5	16.1	719/2453	£239	£319	£399	£479	£559	£638	£718	£798	£878
ROHL-044	444	6	18.7	845/2883	£263	£350	£438	£526	£613	£701	£788	£876	£964
ROHL-052	518	7	19.5	927/3163	£287	£382	£478	£574	£669	£765	£860	£956	£1,052
ROHL-060	592	8	23.6	1060/3617	£311	£415	£519	£623	£727	£830	£934	£1,038	£1,142
ROHL-067	666	9	24.7	1157/3945	£336	£448	£560	£672	£784	£896	£1,008	£1,120	£1,232
ROHL-074	740	10	26.5	1237/4218	£359	£478	£598	£718	£837	£957	£1,076	£1,196	£1,316

Output calculation example 50Δt (watts): 518H x 1200L: 927 x 1.2 = 1112w

Details on intermediate sizes are available on request (1-20 tubes)

Colour finish: Standard colours from the Zehnder colour chart including matt white finish: white RAL 9016 + 25%. Colour finish and non-stock products delivery: 17 working days.

All prices exclude VAT

For full **CE** compliant technical specifications, refer to page 140
 To make an approximate conversion from T=50K to T=60K multiply outputs by 1.2

Zehnder Roda



Made-to-measure Zehnder Roda radiators are easy and quick to order. They are simple, effective and efficient decorative radiators, available as horizontal or vertical, and are perfect for all living areas.




Made-to-measure



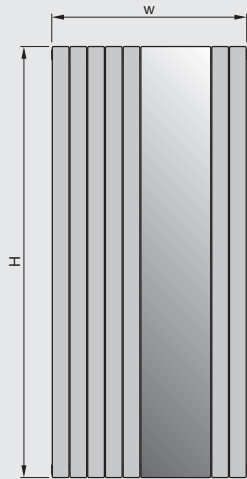
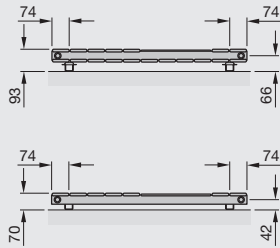
Valves: see page 132



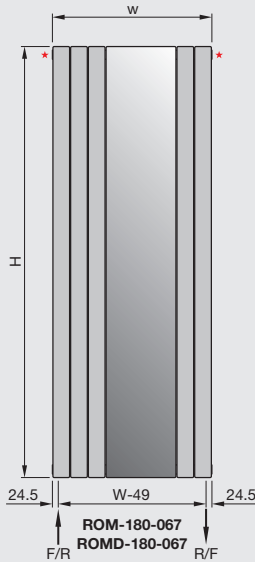
ROV-120/6 PERGAMON

Central Heating Model STOCK listed in black	Height mm	Width mm	Finish	Number of elements	Output $\Delta T=50K$ Watts/btu All outputs certified to EN 442	Weight kg	RRP (ex VAT)	RRP (inc 20% VAT)
 Zehnder Roda Mirror								
ROM-180-067	1800	666	white	3+2	680/2320	24.6	£643	£771.60
ROM-180-081	1800	814	white	5+2	952/3248	31.0	£737	£884.40
ROMD-180-067	1800	666	white	6+4	1355/4623	51.6	£1,158	£1,389.60
ROMD-180-081	1800	814	white	10+4	1527/5210	64.0	£1,327	£1,592.40

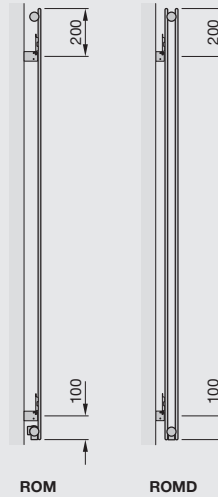
 **Colour finish:** Standard colours from the Zehnder colour chart including matt white finish: white RAL 9016 + 25%. Colour finish and non-stock products delivery: 17 working days.



ROM-180-081
ROMD-180-081




ROM-180-067
ROMD-180-067



ROM **ROMD**

*1/8" air vent
Width excludes air vent
F = flow
R = return
H = height
W = width
Tube: Dimensions 70mm x 11mm
Tube: Horizontal tubes: \varnothing 38mm
All dimensions in mm

For full  compliant technical specifications, refer to page 140
To make an approximate conversion from T=50K to T=60K multiply outputs by 1.2

Zehnder Roda Mirror



Warmth and comfort with a full length mirror to enhance its elegance, the Zehnder Roda Mirror is an asset to any home.



Traffic Whites



Accessories: see page 130



Valves: see page 132



ROM-180-067 RUBY RED

Zehnder Ax (ZAV) vertical single panel										
Width		Model Code / Height (mm)								
(mm)	No of tubes	ZAV-060 600	ZAV-080 800	ZAV-100 1000	ZAV-120 1200	ZAV-140 1400	ZAV-160 1600	ZAV-180 1800	ZAV-200 2000	ZAV-220 2200
264	6	£174	£186	£198	£210	£222	£240	£252	£270	£282
352	8	£232	£248	£264	£280	£296	£320	£336	£360	£376
440	10	£290	£310	£330	£350	£370	£400	£420	£450	£470
528	12	£348	£372	£396	£420	£444	£480	£504	£540	£564
616	14	£406	£434	£462	£490	£518	£560	£588	£630	£658
704	16	£464	£496	£528	£560	£592	£640	£672	£720	£752
792	18	£522	£558	£594	£630	£666	£720	£756	£810	£846
880	20	£580	£620	£660	£700	£740	£800	£840	£900	£940
968	22	£638	£682	£726	£770	£814	£880	£924	£990	£1,034
Technical data per tube	Weight (kg)	0.6	0.8	1.0	1.1	1.3	1.5	1.2	1.8	2.0
	Output 50ΔT Watts/BTU	33/113	42/144	51/175	60/206	70/237	79/269	88/300	98/333	107/365

Output calculation example 50Δt (watts): 1800H x 528L: 12 x 88 = 1056w

Zehnder Ax (ZAVD) vertical double panel										
Width		Model Code / Height (mm)								
(mm)	No of tubes	ZAVD-060 600	ZAVD-080 800	ZAVD-100 1000	ZAVD-120 1200	ZAVD-140 1400	ZAVD-160 1600	ZAVD-180 1800	ZAVD-200 2000	ZAVD-220 2200
264	6	£288	£306	£342	£372	£402	£432	£438	£474	£498
352	8	£384	£408	£456	£496	£536	£576	£584	£632	£664
440	10	£480	£510	£570	£620	£670	£720	£730	£790	£830
528	12	£576	£612	£684	£744	£804	£864	£876	£948	£996
616	14	£672	£714	£798	£868	£938	£1,008	£1,022	£1,106	£1,162
704	16	£768	£816	£912	£992	£1,072	£1,152	£1,168	£1,264	£1,328
792	18	£864	£918	£1,026	£1,116	£1,206	£1,296	£1,314	£1,422	£1,494
880	20	£960	£1,020	£1,140	£1,240	£1,340	£1,440	£1,460	£1,580	£1,660
968	22	£1,056	£1,122	£1,254	£1,364	£1,474	£1,584	£1,606	£1,738	£1,826
Technical data per tube	Weight (kg)	1.1	1.5	1.8	2.1	2.4	2.8	3.1	3.4	3.8
	Output 50ΔT Watts/BTU	51/174	66/223	80/272	94/320	108/368	122/416	136/464	150/512	164/560


Output calculation example 50Δt (watts): 1800H x 528L: 12 x 136 = 1632w

Zehnder Ax (ZAH) horizontal single panel													
Model Code	Height		Technical data per metre		Width (mm)								
	(mm)	No of tubes	Weight (kg)	Output 50ΔT Watts/BTU	600	800	1000	1200	1400	1600	1800	2000	2200
ZAH-026	264	6	6.1	308/1051	£181	£241	£301	£361	£421	£482	£542	£602	£662
ZAH-035	352	8	8.0	414/1413	£194	£258	£323	£388	£452	£517	£581	£646	£711
ZAH-044	440	10	10.0	520/1774	£215	£287	£359	£431	£503	£574	£646	£718	£790
ZAH-053	528	12	11.9	625/2133	£240	£320	£400	£480	£560	£640	£720	£800	£880
ZAH-062	616	14	13.8	730/2491	£253	£337	£421	£505	£589	£674	£758	£842	£926

Output calculation example 50Δt (watts): 616H x 1400L: 1.4 x 730 = 1022w

Zehnder Ax (ZAHd) horizontal double panel													
Model Code	Height		Technical data per metre		Width (mm)								
	(mm)	No of tubes	Weight (kg)	Output 50ΔT Watts/BTU	600	800	1000	1200	1400	1600	1800	2000	2200
ZAHd-026	264	6	11.0	529/1805	£224	£298	£373	£448	£522	£597	£671	£746	£821
ZAHd-035	352	8	14.6	680/2320	£251	£334	£418	£502	£585	£669	£752	£836	£920
ZAHd-044	440	10	18.1	825/2815	£300	£400	£500	£600	£700	£800	£900	£1,000	£1,100
ZAHd-053	528	12	21.7	966/3296	£340	£453	£566	£679	£792	£906	£1,019	£1,132	£1,245
ZAHd-062	616	14	25.3	1105/3770	£365	£486	£608	£730	£851	£973	£1,094	£1,216	£1,338

Output calculation example 50Δt (watts): 616H x 1400L: 1.4 x 1105 = 1547w

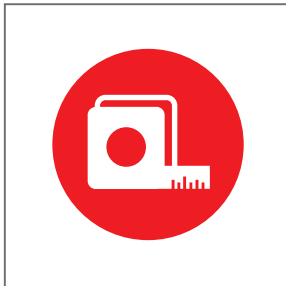
 **Colour finish:** Standard colours from the Zehnder colour chart including matt white finish: white RAL 9016 + 25%. Colour finish and non-stock products delivery: 18 working days.

All prices exclude VAT
 For full  compliant technical specifications, refer to page 140
 To make an approximate conversion from T=50K to T=60K multiply outputs by 1.2

Zehnder Ax



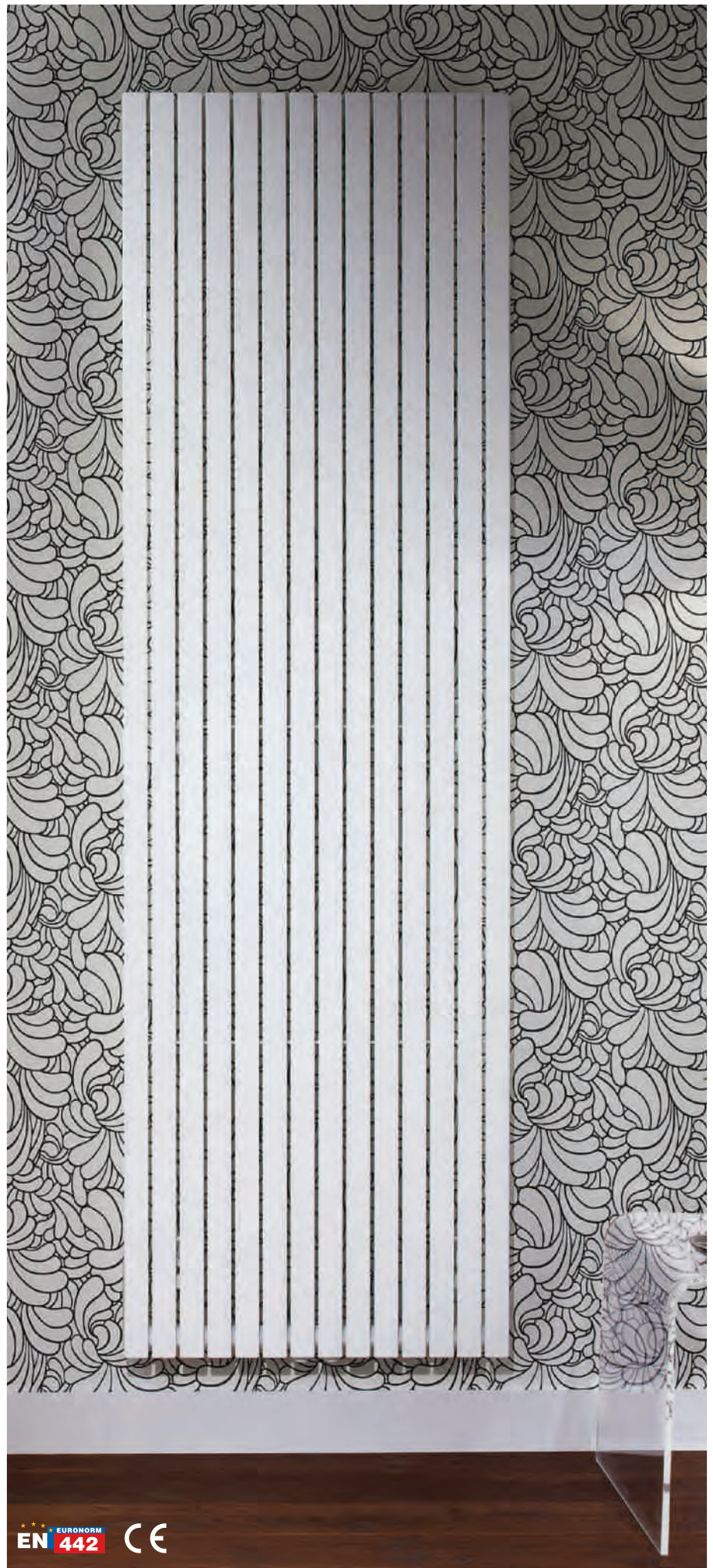
The made-to-measure Zehnder Ax, with its unique slim-line single or double tubes, can meet any central heating requirement.



Made-to-measure




Valves: see page 132



ZAV-180 TRAFFIC WHITE

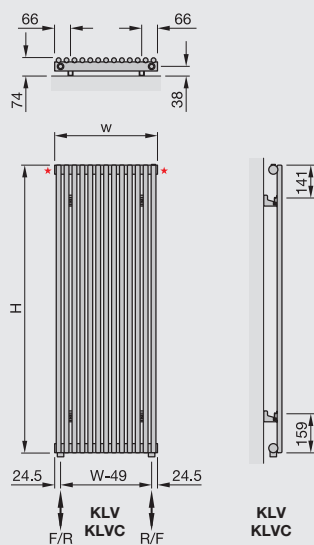
KLEO VERTICAL


Central Heating Model STOCK listed in black	Height mm	Width mm	Number of tubes	Finish	Output $\Delta T=50K$ Watts/btu All outputs certified to EN 442	Pipe centres	Weight kg	RRP (ex VAT)	RRP (inc 20% VAT)
 Zehnder Kleo vertical single panel									
KLV-180-030	1800	299	9	white	632/2156	248	10.3	£210	£252.00
KLV-180-040	1800	398	12	white	842/2874	347	13.7	£257	£308.40
KLV-180-050	1800	497	15	white	1053/3593	446	17.0	£304	£364.80
KLV-180-060	1800	596	18	white	1260/4320	545	21.6	£351	£421.20
KLVC-180-030	1800	299	9	chrome	448/1529	248	10.3	£391	£469.20
KLVC-180-040	1800	398	12	chrome	597/2040	347	13.7	£477	£572.40
KLVC-180-050	1800	497	15	chrome	747/2549	446	17.0	£565	£678.00
KLVC-180-060	1800	596	18	chrome	896/3057	545	21.6	£652	£782.40

The KLV can also be installed horizontally with TBSE connections on either side.

 **Colour finish:** Standard colours from the Zehnder colour chart including matt white finish: white RAL 9016 + 25%. Colour finish and non-stock products delivery: 20 working days.

*1/8" air vent
Width excludes air vent
F = flow
R = return
H = height
W = width
Tube: Horizontal \varnothing 38mm
Tube: Vertical \varnothing 20mm
All dimensions in mm



For full  compliant technical specifications, refer to page 140
To make an approximate conversion from T=50K to T=60K multiply outputs by 1.2

Zehnder Kleo



Elegant single tubed vertical radiators stocked in white and chrome and available in made-to-measure options. See page 106.



Anthracite



Valves: see page 132



KLVC-180-040 CHROME

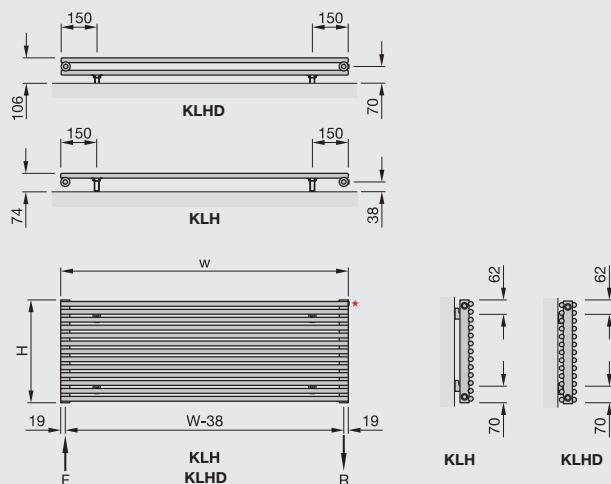
KLEO HORIZONTAL

Central Heating Model STOCK listed in black	Height mm	Width mm	Number of tubes	Finish	Output $\Delta T=50K$ Watts/btu All outputs certified to EN 442	Pipe centres	Weight kg	RRP (ex VAT)	RRP (inc 20% VAT)
🔥 Zehnder Kleo horizontal single panel									
KLH-058-100	596	1000	18	white	782/2668	962	12.4	£262	£314.40
KLH-058-120	596	1200	18	white	938/3201	1162	14.9	£287	£344.40
KLH-058-140	596	1400	18	white	1094/3735	1362	17.4	£311	£373.20
🔥 Zehnder Kleo horizontal double panel									
KLHD-058-100	596	1000	18	white	1211/4134	962	22.6	£459	£550.80
KLHD-058-120	596	1200	18	white	1453/4961	1162	27.1	£502	£602.40
KLHD-058-140	596	1400	18	white	1695/5787	1362	31.6	£545	£654.00

Made to measure sizes available (excluding chrome KLHD models)

🔴 **Colour finish:** Standard colours from the Zehnder colour chart including matt white finish: white RAL 9016 + 25%. Colour finish and non-stock products delivery: 20 working days.

*1/8" air vent
Width excludes air vent
F = flow
R = return
H = height
W = width
Tube: Horizontal \varnothing 38mm
Tube: Vertical \varnothing 20mm
All dimensions in mm



For full **CE** compliant technical specifications, refer to page 140
To make an approximate conversion from T=50K to T=60K multiply outputs by 1.2

Zehnder Kleo



Elegant, single or double tubed horizontal radiators with made-to-measure options. See page 106.



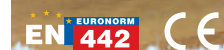
Double Horizontal Panel



Valves: see page 132



KLH-058-100 VOLCANIC



Jasmin KLHD-058-100

Zehnder Kleo (KLV) vertical										
Width		Model Code / Height (mm)								
(mm)	No of tubes	KLV-060 600	KLV-080 800	KLV-100 1000	KLV-120 1200	KLV-140 1400	KLV-160 1600	KLV-180 1800	KLV-200 2000	KLV-220 2200
264	8	£126	£134	£150	£158	£182	£190	£198	£206	£214
330	10	£140	£150	£170	£180	£210	£220	£230	£240	£250
396	12	£154	£166	£190	£202	£238	£250	£262	£274	£286
462	14	£168	£182	£210	£224	£266	£280	£294	£308	£322
528	16	£182	£198	£230	£246	£294	£310	£326	£342	£358
594	18	£196	£214	£250	£268	£322	£340	£358	£376	£394
660	20	£210	£230	£270	£290	£350	£370	£390	£410	£430
726	22	£224	£246	£290	£312	£378	£400	£422	£444	£466
792	24	£238	£262	£310	£334	£406	£430	£454	£478	£502
858	26	£252	£278	£330	£356	£434	£460	£486	£512	£538
924	28	£266	£294	£350	£378	£462	£490	£518	£546	£574
990	30	£280	£310	£370	£400	£490	£520	£550	£580	£610
1056	32	£294	£326	£390	£422	£518	£550	£582	£614	£646
1122	34	£308	£342	£410	£444	£546	£580	£614	£648	£682
1188	36	£322	£358	£430	£466	£574	£610	£646	£682	£718
1254	38	£336	£374	£450	£488	£602	£640	£678	£716	£754
1320	40	£350	£390	£470	£510	£630	£670	£710	£750	£790
Technical data per tube	Weight (kg)	0.5	0.6	0.7	0.8	0.9	1.0	1.2	1.3	1.4
	Output 50ΔT Watts/BTU	26/89	34/116	41/140	49/167	56/191	63/215	70/239	78/266	85/290

Output calculation example 50Δt (watts): 10 tubes x 1800 high: 10 x 70 = 700w

Zehnder Kleo (KLH) horizontal													
Model Code	Height		Technical data per metre		Width (mm)								
	(mm)	No of tubes	Weight (kg)	Output 50ΔT Watts/BTU	600	800	1000	1200	1400	1600	1800	2000	2200
KLH-038	383	12	8.2	515/1757	£167	£184	£200	£216	£233	£249	£266	£282	£298
KLH-045	449	14	9.4	611/2085	£183	£202	£221	£240	£259	£279	£298	£317	£336
KLH-052	515	16	11.1	697/2378	£197	£218	£240	£262	£283	£305	£326	£348	£370
KLH-058	581	18	12.4	782/2668	£213	£237	£262	£287	£311	£336	£360	£385	£410
KLH-065	647	20	13.7	867/2958	£229	£256	£283	£310	£337	£365	£392	£419	£446
KLH-071	713	22	15.0	951/3245	£245	£275	£305	£335	£365	£395	£425	£455	£485
KLH-078	779	24	17.4	1034/3528	£260	£292	£325	£358	£390	£423	£455	£488	£521
KLH-085	845	26	18.8	1117/3811	£276	£312	£347	£382	£418	£453	£489	£524	£559
KLH-091	911	28	20.1	1200/4094	£291	£329	£367	£405	£443	£481	£519	£557	£595
KLH-098	977	30	21.4	1282/4374	£305	£346	£387	£428	£469	£509	£550	£591	£632
KLH-104	1043	32	22.8	1364/4654	£322	£366	£409	£452	£496	£539	£583	£626	£669
KLH-111	1109	34	24.1	1445/4930	£338	£384	£430	£476	£522	£569	£615	£661	£707
KLH-118	1175	36	25.4	1526/5207	£352	£401	£450	£499	£548	£596	£645	£694	£743

Output calculation example 50Δt (watts): 20 tubes x 1400 long: 1.4 x 867 = 1214w

Prices for single panel Kleo in Chrome finish. Multiply the prices above for the relevant sizes by 1.86

Prices for Kleo double tubed. Multiply the prices above for the relevant sizes by 1.75

Double panels not available in Chrome finish

Room divider kit for vertical single panel (KLV). Height adjustable 100-150mm: £71

Not available in Chrome finish

Details on intermediate sizes are available on request. Available from 7 - 90 tubes

Please refer to page 102 for vertical and page 104 for horizontal model technical diagrams

Colour finish: Standard colours from the Zehnder colour chart including matt white finish: white RAL 9016 + 25%. Colour finish and non-stock products delivery: 20 working days.

All prices exclude VAT

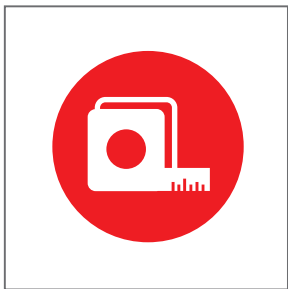
For full **CE** compliant technical specifications, refer to page 140

To make an approximate conversion from T=50K to T=60K multiply outputs by 1.2

Zehnder Kleo



Made-to-measure options with single or double tubes are available for both the horizontal or vertical Zehnder Kleo.



Made-to-measure

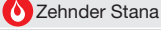



Traffic White



Valves: see page 132



Central Heating Model STOCK listed in black	Height mm	Width mm	Finish	Heat Emission $\Delta T=50$		Weight	RRP (ex VAT)	RRP (inc 20% VAT)
				Watts	BTU			
 Zehnder Stana								
STN-015-014-100	250	1000	white	625	2133	11.7	£296	£355.20
STN-015-014-120	250	1200	white	750	2559	14.6	£334	£400.80
STN-015-014-140	250	1400	white	875	2986	16.9	£369	£442.80
STN-015-014-150	250	1500	white	875	3199	17.9	£388	£465.60
STN-015-014-160	250	1600	white	1000	3412	18.9	£404	£484.80
STN-015-014-200	250	2000	white	1250	4265	23.4	£476	£571.20
STN-015-020-100	250	1000	white	993	3388	14.2	£424	£508.80
STN-015-020-120	250	1200	white	1192	4066	17.6	£472	£566.40
STN-015-020-140	250	1400	white	1390	4743	20.3	£521	£625.20
STN-015-020-150	250	1500	white	1490	5082	21.6	£547	£656.40
STN-015-020-160	250	1600	white	1589	5421	22.7	£573	£687.60
STN-015-020-200	250	2000	white	1986	6776	28.2	£674	£808.80

 **Colour finish:** Standard colours from the Zehnder colour chart including matt white finish: white RAL 9016 + 25%. Colour finish and non-stock products delivery: 31 working days.

Accessories

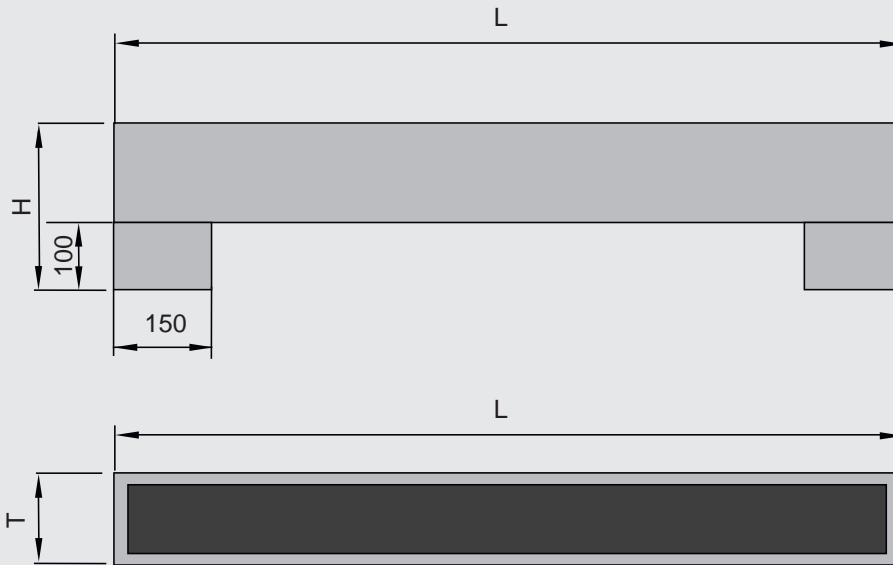
Model

819088 Chrome TRV Head (M30 x 1.5)

Note: TRV Head not supplied with radiator


H = Overall height
L = Length
T = Width

Dimensions in mm



STN

Note: comes with integral valve

For full  compliant technical specifications, refer to page 140
To make an approximate conversion from T=50K to T=60K multiply outputs by 1.2

Zehnder Stana




On the floor in front of a window or in an alcove. Zehnder Stana enables ideal distribution of heated air throughout the room. Understated design and a variety of models ensure that Zehnder Stana fits perfectly into any setting.



EN 442 CE

STN-015-014-100 ANTHRACITE

Central Heating STOCK listed in black	Height mm	Width mm	Number of sections	Finnish	Overall Projection mm	Output $\Delta T=50K$ Watts/btu All outputs certified to EN 442	Weight kg	RRP (ex VAT)	RRP (inc 20% VAT)
 Zehnder Lyta-S horizontal									
LYSV-Z-040-048	395	480	6	white	130	546/1863	6.6	£156	£187.20
LYSV-Z-040-064	395	640	8	white	130	728/2484	8.8	£208	£249.60
LYSV-Z-040-080	395	800	10	white	130	910/3105	11.0	£260	£312.00
LYSV-Z-040-096	395	960	12	white	130	1092/3726	13.2	£312	£374.40
LYSV-Z-040-112	395	1120	14	white	130	1274/4347	15.4	£364	£436.80
LYSV-Z-055-048	545	480	6	white	130	737/2516	8.4	£162	£194.40
LYSV-Z-055-064	545	640	8	white	130	983/3354	11.2	£216	£259.20
LYSV-Z-055-080	545	800	10	white	130	1229/4193	14.0	£270	£324.00
LYSV-Z-055-096	545	960	12	white	130	1475/5032	16.8	£324	£388.80
LYSV-Z-055-112	545	1120	14	white	130	1721/5871	19.6	£378	£453.60
LYSV-Z-065-048	645	480	6	white	130	848/2895	9.6	£168	£201.60
LYSV-Z-065-064	645	640	8	white	130	1131/3860	12.8	£224	£268.80
LYSV-Z-065-080	645	800	10	white	130	1414/4824	16.0	£280	£336.00
LYSV-Z-065-096	645	960	12	white	130	1697/5789	19.2	£336	£403.20
LYSV-Z-065-112	645	1120	14	white	130	1980/6754	22.4	£392	£470.40

Powder coated RAL9010 white. Colour finishes are not available.
Width excludes air vent and bushes (Additional 24mm)

The Lyta-S is a high output, low water content, die-cast aluminium radiator, sectional in manufacture, supplied with a bracket pack comprising wall fixing brackets, plugs, bushes and an air vent.

Where an intermediate sized radiator is required, additional sections can be purchased and added or removed as necessary by the installer. Joining nipples, gaskets and an assembly tool must be purchased separately.

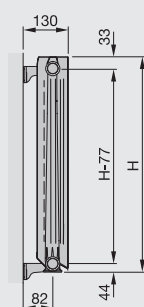
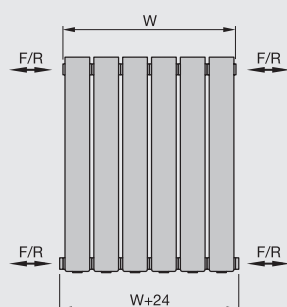
Lyta-S horizontal

Technical data per section

Model	Height mm	Length mm	Output 50 ΔT Watts/BTU	Weight Kg	RRP (ex VAT)	RRP (inc 20% VAT)
LYSV-040-008	395	80	93/317	1.1	£26	£31.20
LYSV-055-008	545	80	124/423	1.4	£27	£32.40
LYSV-065-008	645	80	143/488	1.6	£28	£33.60


Accessories

Model		RRP (ex VAT)	RRP (inc 20% VAT)
A36/6	Towel rail for 6 section Lyta-S. White RAL9010 (see hhh 106)	£69	£82.80
905110	Aluminium assembly tool 300	£49	£58.80
905120	Aluminium assembly tool 600	£49	£58.80
905130	Aluminium assembly tool 900	£49	£58.80
905140	Aluminium assembly tool 1200	£49	£58.80
A2/1	1 inch steel joining nipple -for use with Lyta-S	£2.50	£3.00
A10/1	Joining nipple gasket for joining the Lyta-S. White RAL 9010	£0.55	£0.66
A11/1	Gasket for end plugs for Lyta-S - Green	£1.25	£1.50
A81	Installation bush and bracket pack for Lyta-S	£23	£27.60
A80	Service assembly kit for the the Lyta-S radiator	£22	£26.40



*1/2" air vent
Width excludes air vent
F = flow
R = return
H = height
W = width
All dimensions in mm

Connections: 4 x 1/2", suitable for bottom opposite ends (BOE), top bottom opposite ends (TBOE) or top bottom same end (TBSE).

For full  compliant technical specifications, refer to page 154
To make an approximate conversion from T=50K to T=60K multiply outputs by 1.2

Zehnder Lyta-S




Aluminium radiators give a fast response and comfortable heat with high thermal efficiency. Energy saving and easy to handle, resistant to corrosion and with the ability to add or remove sections according to requirements, the Lyta-S is a modern radiator in every sense.



Valves: see page 130



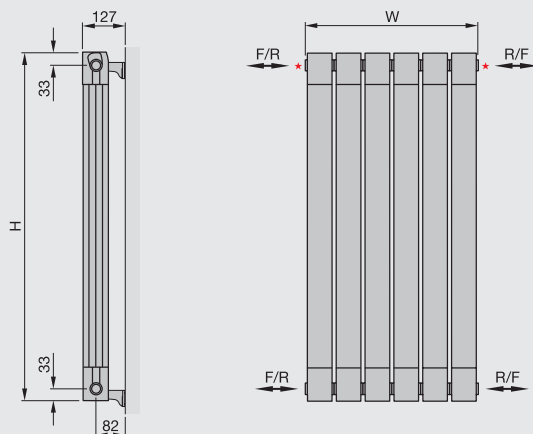
LYSV-Z-055-064 PURE WHITE

Central Heating STOCK listed in black	Height mm	Width mm	Number of sections	Finish	Overall Projection mm	Output $\Delta T=50K$ Watts/btu All outputs certified to EN 442	Weight kg	RRP (ex VAT)	RRP (inc 20% VAT)
 Zehnder Lyta-T vertical									
LYTV-Z-097-032	966	320	4	white	127	728/2484	7.8	£224	£268.80
LYTV-Z-097-048	966	480	6	white	127	1092/3726	11.8	£336	£403.20
LYTV-Z-147-032	1466	320	4	white	127	1000/3412	11.2	£316	£379.20
LYTV-Z-147-048	1466	480	6	white	127	1500/5118	16.8	£474	£568.80
LYTV-Z-187-024	1866	240	3	white	127	900/3071	10.2	£279	£334.80
LYTV-Z-187-032	1866	320	4	white	127	1200/4094	13.6	£372	£446.40
LYTV-Z-187-040	1866	400	5	white	127	1500/5118	17.0	£465	£558.00
LYTV-Z-187-048	1866	480	6	white	127	1800/6142	20.4	£558	£669.60


Powder coated RAL9010 white finish. Colour finishes are not available.
Width excludes air vent and bushes (Additional 24mm).

The Lyta-T is a high output, low water content, extruded aluminium radiator, sectional in manufacture, supplied with a bracket pack comprised of wall fixing brackets, plugs, bushes and an air vent.
Where an intermediate sized radiator is required, additional sections can be purchased and added or removed as necessary by the installer. Joining nipples, gaskets and an assembly tool must be purchased separately.

Accessories			
Model		RRP (ex VAT)	RRP (inc 20% VAT)
905110	Aluminium assembly tool 300	£49	£58.80
905120	Aluminium assembly tool 600	£49	£58.80
905130	Aluminium assembly tool 900	£49	£58.80
905140	Aluminium assembly tool 1200	£49	£58.80
A32/1	Gasket for nipples, plugs and adaptors for Lyta-T - Black	£1.25	£1.50
A33/1	1 inch steel joining nipple for Lyta-T	£2.70	£3.24
A82	Installation bush and bracket pack for Lyta-T	£23	£27.60
A36/4	Towel rail for 4 section Lyta-T. White (RAL9010)	£55	£66.00
A36/5	Towel rail for 5 section Lyta-T. White (RAL9010)	£63	£75.60
A36/6	Towel rail for 6 section Lyta-S and Lyta-T. White (RAL9010)	£69	£82.80



*1/2" air vent
Width excludes air vent
F = flow
R = return
H = height
W = width
All dimensions in mm

For full  compliant technical specifications, refer to page 140
To make an approximate conversion from T=50K to T=60K multiply outputs by 1.2

Zehnder Lyta-T



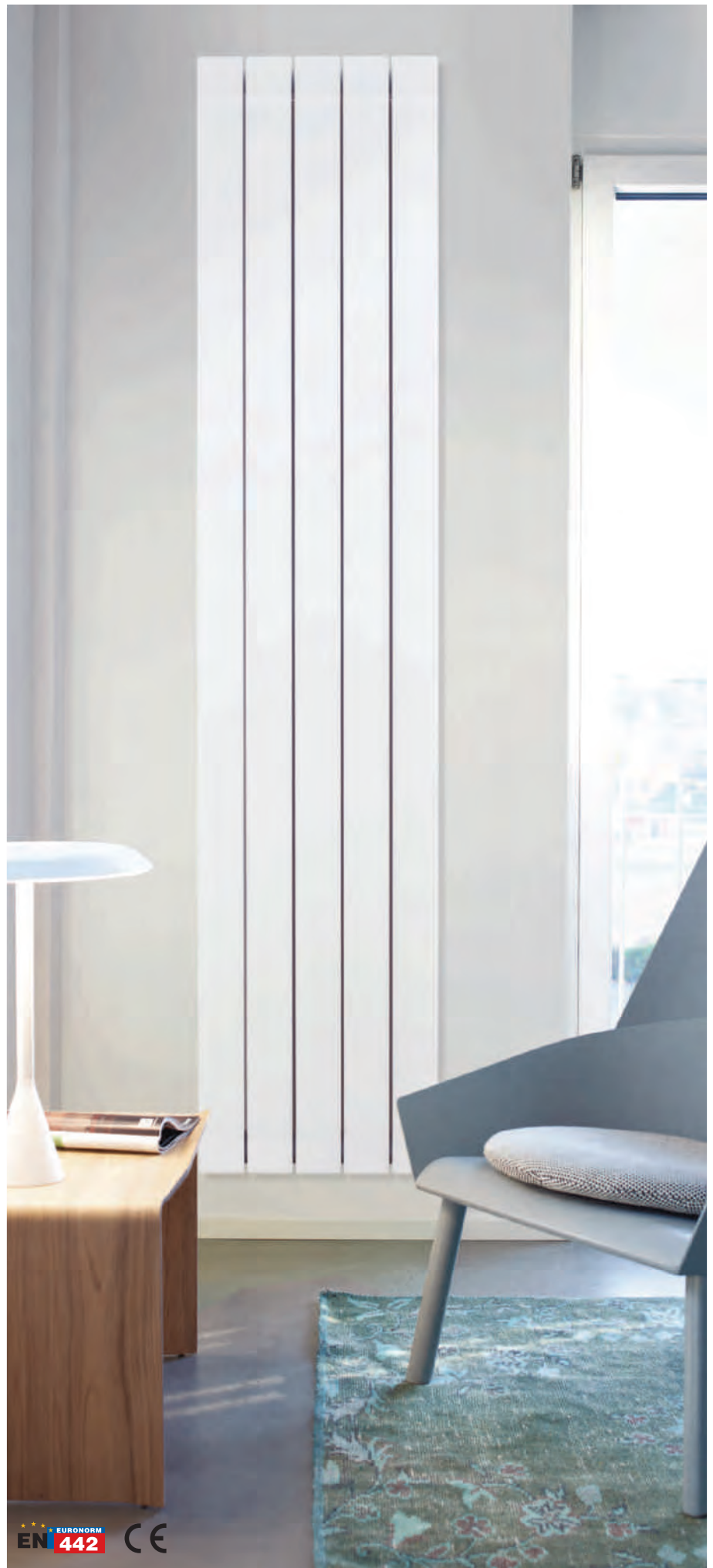
The space-saving, fast response, economical and efficient vertical Lyta-T aluminium radiator is energy saving and easy to handle. Resistant to corrosion, sections can be added or removed to suit installation requirements. The Lyta-T has the practical option of a towel bar.



Lyta-T towel bar



Valves: see page 132



LYTV-Z-187-040 PURE WHITE

Zehnder Excelsior vertical single fin with 30mm spacing white

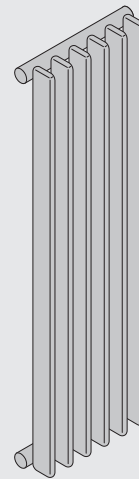
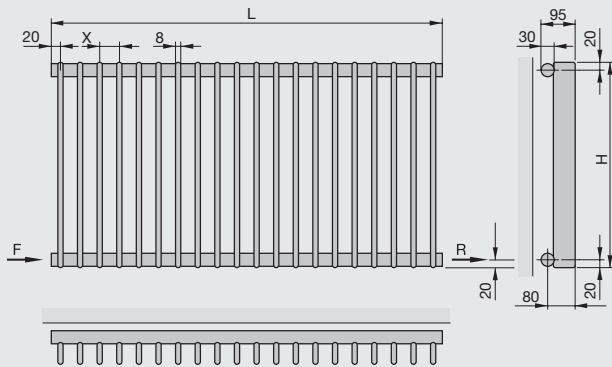
Model Code	Height	Technical data per element		Width (mm)								
	(mm)	Weight (kg)	Output 50ΔT Watts/BTU	460	580	700	820	940	1060	1180	1300	1420
E1040/30	400	0.76	27/92	£354	£392	£431	£469	£508	£546	£584	£623	£661
E1050/30	500	0.93	32/109	£362	£402	£442	£483	£523	£564	£604	£644	£685
E1060/30	600	1.10	37/126	£369	£411	£454	£496	£539	£581	£623	£666	£708
Number of tubes				15	19	23	27	31	35	39	43	47

Zehnder Excelsior vertical single fin with 40mm spacing white

Model Code	Height	Technical data per element		Width (mm)								
	(mm)	Weight (kg)	Output 50ΔT Watts/BTU	480	600	720	840	960	1080	1200	1320	1440
E1040/40	400	0.78	29/99	£334	£365	£395	£426	£457	£488	£519	£550	£581
E1050/40	500	0.95	34/116	£338	£371	£403	£435	£467	£499	£531	£563	£595
E1060/40	600	1.12	40/136	£346	£380	£413	£447	£481	£515	£549	£583	£617
Number of tubes				12	15	18	21	24	27	30	33	36

Under-side connections available on request

Colour finish: Standard colours from the Zehnder colour chart including matt white finish: white RAL 9016 + 25%. Colour finish and non-stock products delivery: 15 working days.



30mm or 40mm spacings

*1/2" air vent
 Width excludes air vent
 F = flow
 R = return
 H = height
 W = width
 X = section spacing
 All dimensions in mm
 Manufacturing tolerance of +/-0.6mm per section

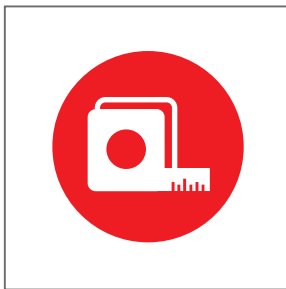
For full **CE** compliant technical specifications, refer to page 140

To make an approximate conversion from T=50K to T=60K multiply outputs by 1.2 All prices excluding VAT

Zehnder Excelsior



The contemporary Zehnder Excelsior has narrow, horizontal, flattened oval steel tubes which are lightweight and give a high heat output. Low water content means that the Excelsior has a fast reaction time to heat up your home quickly. The Excelsior range is made to order to fit your requirements.



Made-to-measure



Flame Red



EN 442 CE

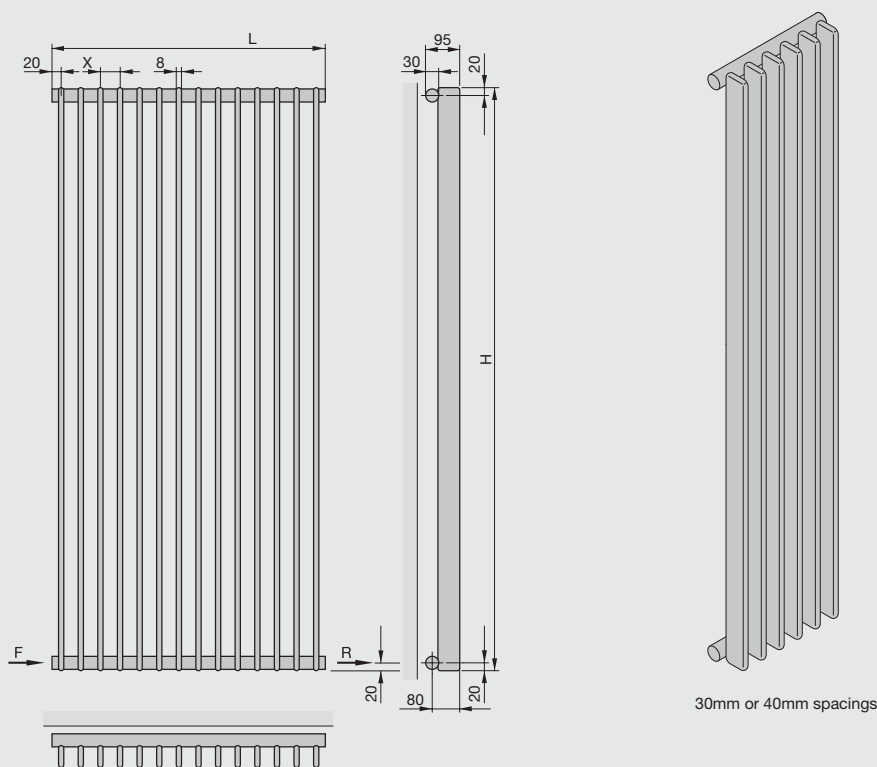
E1060/40 FLAME RED

Zehnder Excelsior vertical single fin with 30mm spacing white												
Model Code	Height	Technical data per element		Width (mm)								
	(mm)	Weight (kg)	Output 50ΔT Watts/BTU	250	280	310	340	370	400	430	460	490
E1120/30	1200	2.14	67/229	£331	£346	£361	£376	£391	£406	£421	£437	£452
E1150/30	1500	2.67	83/284	£355	£373	£391	£409	£427	£445	£463	£482	£500
E1180/30	1800	3.19	100/341	£400	£422	£444	£466	£488	£509	£531	£553	£575
E1200/30	2000	3.53	111/379	£426	£451	£476	£501	£526	£551	£576	£601	£626
Number of tubes				8	9	10	11	12	13	14	15	16

Zehnder Excelsior vertical single fin with 40mm spacing white												
Model Code	Height	Technical data per element		Width (mm)								
	(mm)	Weight (kg)	Output 50ΔT Watts/BTU	240	280	320	360	400	440	480	520	560
E1120/40	1200	2.16	72/246	£305	£321	£336	£352	£368	£384	£400	£415	£431
E1150/40	1500	2.68	90/308	£322	£341	£360	£378	£397	£416	£434	£453	£472
E1180/40	1800	3.21	109/372	£362	£384	£407	£429	£452	£475	£497	£520	£542
E1200/40	2000	3.55	122/416	£380	£405	£431	£456	£482	£508	£533	£559	£584
Number of tubes				6	7	8	9	10	11	12	13	14

Under-side connections available on request

Colour finish: Standard colours from the Zehnder colour chart including matt white finish: white RAL 9016 + 25%. Colour finish and non-stock products delivery: 15 working days.



*1/2" air vent
 Width excludes air vent
 F = flow
 R = return
 H = height
 W = width
 X = section spacing
 All dimensions in mm
 Manufacturing tolerance of +/-0.6mm per section

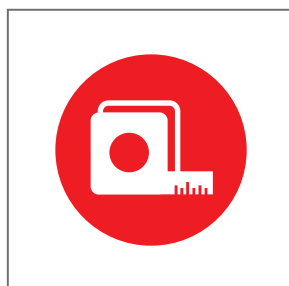
30mm or 40mm spacings

For full CE compliant technical specifications, refer to page 140
 To make an approximate conversion from T=50K to T=60K multiply outputs by 1.2 All prices excluding VAT

Zehnder Excelsior



The contemporary Zehnder Excelsior has narrow, vertical, flattened oval steel tubes which are lightweight and give a high heat output. Low water content means that the Excelsior has a fast reaction time to heat up your home quickly. The Excelsior range is made to order to fit your requirements.



Made-to-measure



Anthracite



EN 442 CE

E1200/40 FLAME RED



Radiators - electric.

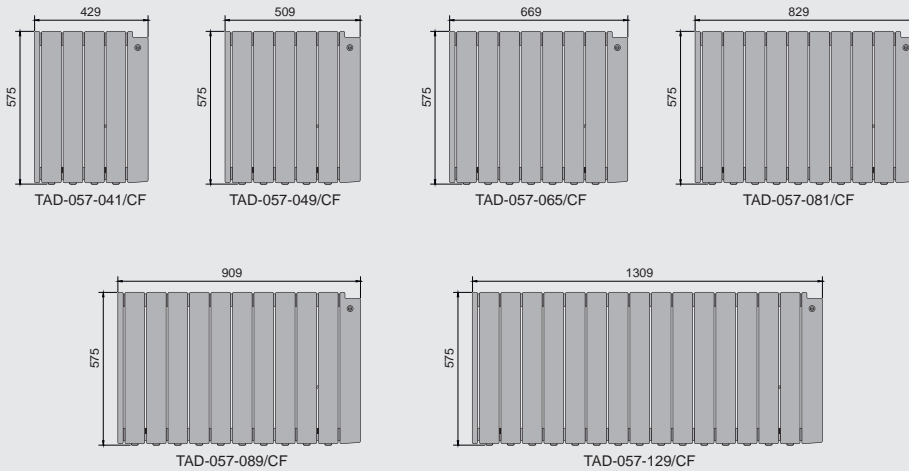
Compact and efficient radiators for the home, with just as much style!

The range includes towel rails for bathrooms and room radiators for living areas including controls with multiple temperature settings to customise and maximise comfort for you in your home.



Electric Heating Model STOCK listed in bold	Height mm	Width mm	Finish	No. of sections	Digital tactile screen	Weight kg	RRP (ex VAT)	RRP (inc 20% VAT)
Zehnder Fare Tech Electric								
TAD-057-041/CF	575	429	white*	4	500	9	£332	£398.40
TAD-057-048/CF	575	509	white*	5	750	11	£350	£420.00
TAD-057-064/CF	575	669	white*	7	1000	14	£379	£454.80
TAD-057-080/CF	575	829	white*	9	1250	17	£425	£510.00
TAD-057-088/CF	575	909	white*	10	1500	18	£462	£554.40
TAD-057-128/CF	575	1309	white*	15	2000	26	£558	£669.60

Colour finish: Standard colours from the Zehnder colour chart including matt white finish: white RAL 9010 + 25%. Colour finish and non-stock products delivery: 16 working days.



Open Window detection

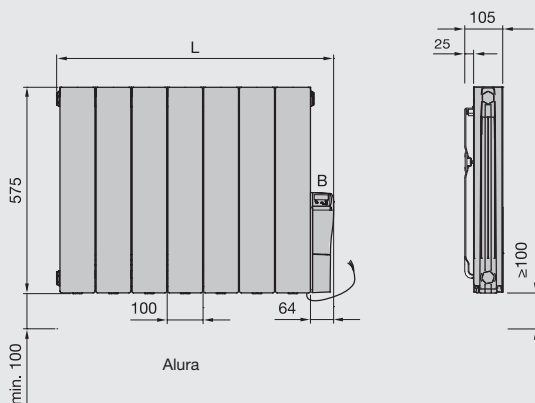
The Integral control unit recognises if a window has been opened for an extended period and switches the radiator off. Once the window is closed, the radiator returns to normal operation.

- External temperature sensor recognises temperature changes.
- Integral thermostat reacts to sensor information
- Radiator automatically switches off if a window is open for an extended period.
- Intelligent heating that saves energy and costs.

Electric Heating Model STOCK listed in bold	Height mm	Width mm	Finish	No. of sections	With factory fitted controls, Class II IPX4 Electric Rating (Watts)	Weight kg	RRP (ex VAT)	RRP (inc 20% VAT)
Zehnder Alura Electric								
ALE-050-036/F	575	372	white*	3	500	7	£271	£325.20
ALE-075-046/F	575	472	white*	4	750	9	£296	£355.20
ALE-100-056/F	575	572	white*	5	1000	11	£334	£400.80
ALE-125-076/F	575	772	white*	7	1250	15	£391	£469.20
ALE-150-086/F	575	872	white*	8	1500	17	£434	£520.80
ALE-200-116/F	575	1172	white*	11	2000	23	£532	£638.40

*white (RAL 9010)

Temperature controller: Backlit LCD digital display screen gives complete control. Temperature can be adjusted in 0.5°C increments. 3 pre-set programmes and 5 mode settings. Open window detection system and parental lock.



Open Window detection

The Integral control unit recognises if a window has been opened for an extended period and switches the radiator off. Once the window is closed, the radiator returns to normal operation.

- External temperature sensor recognises temperature changes.
- Integral thermostat reacts to sensor information
- Radiator automatically switches off if a window is open for an extended period.
- Intelligent heating that saves energy and costs.

H = height
W = width
All dimensions in mm

Zehnder Fare Tech



The Zehnder Fare Tech electric radiator combines beauty and brains. Manufactured from aluminium, its unique, elegantly curved shape allows comfortable radiant heat to disperse optimally throughout the room, whilst the unit's smart integrated control panel allows the room temperature to be easily set and energy consumption controlled.



TAD-057-088/CF VOLCANIC

Zehnder Alura



This fast response electric aluminium radiator has a high output in relation to its size. Its weight and size makes this radiator easy to install, and the straightforward digital controls make it easy and economical to use. H shaped mounting bracket with removable spirit level and locking system included.



ALE-100-056/F PURE WHITE

Zehnder Charleston & Charleston Plinth



The Zehnder Charleston is an electric, oil-filled multi-column radiator available in 6 sizes ideal for installation in loft conversions. The complementary Zehnder Charleston Plinth low level model is perfectly suited to conservatories and in front of low-level windows.



NZ-030-100/GF TRAFFIC WHITE

Zehnder Roda



Electric Zehnder Roda radiators are efficient decorative radiators, available as horizontal or vertical, perfect for all living areas.



Volcanic



ROEV-180-045/GF OYSTER WHITE



Ventilation - extractor fans.

Did you know that a shower can create up to 2 pints of moisture? Add this to boiling the kettle, cooking, drying clothes and breathing and there is a lot of moisture in your home, not to mention other airborne particles such as dust and VOC's!

Ventilation is crucial to every home, and especially in bathrooms and kitchens.

This range of fans offer high performance extraction, decorative or discreet style and low noise options - all that you need from your bathroom fan.

Zehnder Low Energy Continuous Fan Ø100mm




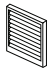

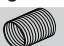

Continuous ventilation ensures a continually fresh environment with a constant low level trickle and then boost linked to room usage - and often high moisture levels!

This low energy design costs as little as £1.50 to run for the entire year and is quiet running so operates in the background discretely ensuring issues such as mould and condensation are kept at bay. With SMART humidity and timer controls, nuisance noise and running are completely eliminated leaving you to relax in the surroundings of your bathroom.



Model STOCK listed in black	Control Operation	W	H	D (Spigot)	IP Rating	Speed	Airflow l/s in FREE AIR (BS848 Pt 1)		Sound pressure level dB(A)	Energy Consumption (W)		RRP (ex VAT)
							5	8		Min	Max	
ZCV2	Continuous trickle speed with boost activated by lightswitch or smart humidity sensing. Optional SMART overrun timer. Easy set on touch pad located on the fan fascia. Quiet running, low energy design	199	129.5	68	IPX4 Ceiling	Trickle	5	8	10.1-23.5	1.1	5.4	£100
					IPX5 Wall	Boost	8	13				
						Maximum	23	23				

Accessories for all bathroom fans

Accessories		RRP (ex VAT)	
Wall fan accessories			
	ZED1A	Plastic wall inner with integral screw-fixing channels	£8
	ZEG1WA	Fixed blade louvered external wall vent in white	£5
	ZEG1BA	Fixed blade louvered external wall vent in brown	£5
	ZFF100W ZFF100B	Fast fix wall duct system with external grill available in white (W) or brown (B)	£12
Ceiling fan accessories			
	ZGFP4.3A	Flexiduct 3m x Ø100mm (required for ceiling fitting)	£10
	ZGG42WA	100mm External grille with spigot in white	£6
	ZGG42BA	100mm External grille with spigot in brown	£6



Zehnder Adaptive fan with "smart" timer technology and pull cord option.

The length of time of the fan over-run is based on occupancy duration, up to a maximum run-time of 15 minutes, reducing heat loss and energy usage.



Zehnder Adaptive fan with "smart" humidistat and timer technology and pull cord option.

The fan knows the normal humidity level and only activates when spikes occur, providing the right amount of ventilation when required, unlike fans with a generic point that respond to high ambient humidity on a summer's day and particularly in the middle of the night.

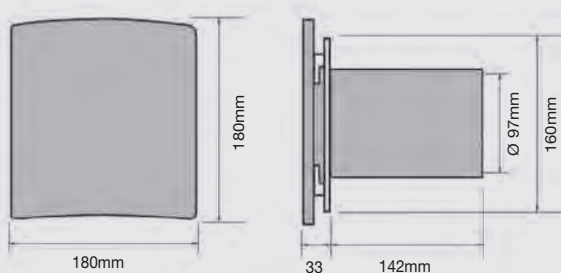
All fans suitable for wall or ceiling mounting with discharge through an external wall or soffit, but not the roof. Please see page 128 for diagrams.

Not for use with more than 3m of ducting.

SILENT AND ADAPTIVE WALL FANS

Model STOCK listed in black	Description	Controls	Airflow l/s in FREE AIR (BS848 Pt 1)		Sound pressure level @ 3m dB(A)	Energy Consumption (W)		IP Rating	RRP (ex VAT)
ZSR100B10A	Silent fan - Basic	Single speed. Operation by light/remote switch	26		26.7	13		IPX4 Zones 1 & 2	£64
ZSR100TR11A	Silent fan - Timer	Single speed. Operation by light/remote switch. Adjustable overrun timer (2-30 mins & set at 15 mins)	26		26.7	16		IPX4 Zones 1 & 2	£77
ZSR100HTR12A	Silent fan - Humidistat	Single speed. Automatic operation by humidity control with option for manual override switch. Adjustable humidity (70-90% & set at 70%). Adjustable overrun timer to prevent hunting	26		26.7	16		IPX4 Zones 1 & 2	£131

All fans suitable for wall or ceiling mounting with discharge through an external wall or soffit, but not the roof. Not for use with more than 3m of ducting.



ZSR100 wall fans

Zehnder Silent Fan - Front Fascia Options



Model STOCK listed in black	Description	Controls	Airflow l/s in FREE AIR (BS848 Pt 1)		Sound pressure level @ 3m dB(A)		Energy Consumption (W)		IP Rating	RRP (ex VAT)
ZLE100TA	Low Energy Adaptive Fan with SMART Timer	Single speed operation by light/remote switch or via integral pull cord. Adaptable speeds (1-6) to ensure installed performance between 1-6. SMART overrun timer	13.6	31	25	45	1.6	8.9	IPX4 Zones 1 & 2	£84
ZLE100HTA	Low Energy Adaptive Fan with SMART humidistat and timer	Single speed operation via light/remote switch or via integral pull cord. Adaptable speeds (1-6) to ensure installed performance. SMART humidity and overrun timer	13.6	31	25	45	1.6	8.9	IPX4 Zones 1 & 2	£135

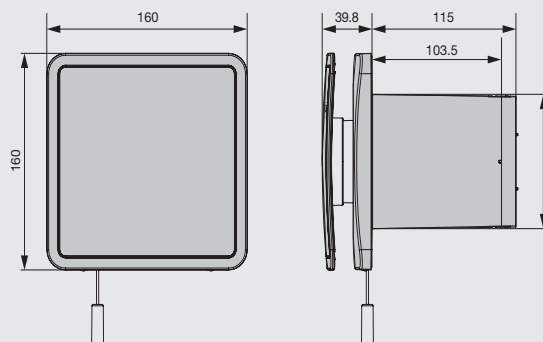
All fans suitable for wall or ceiling mounting with discharge through an external wall or soffit, but not the roof. Refer to speeds for maximum ducting lengths

100mm fan suitable for through wall and ducted ceiling/wall installation.



Speed	Room	Installation
1	WC	Through Wall + <3m Ducting
2	Bathroom	<1.5m Ducting
3	WC	Window Kit
4	Bathroom	Through Wall
5	Bathroom	Window Kit
6	Bathroom	<3m Ducting

The speed of the fan is set by the installer according to the size and use of the room, thus avoiding over or under ventilation.



ZLE100 wall fans

Zehnder Silent Wall & Ceiling Fans Ø100mm



The range of Zehnder Silent fans offer “whisper-quiet” operation – typically a minimum of 70% less noise than standard fans. This range has been developed in response to customers who want high performance ventilation without nuisance noise. 3 year warranty



Zehnder Adaptive Wall & Ceiling Fans Ø100mm



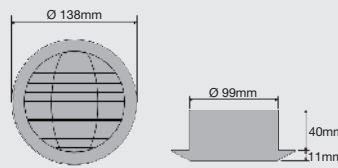
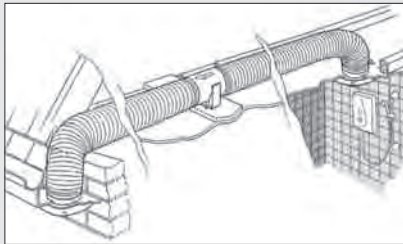
The economical low-energy, quiet Zehnder Adaptive fan offers the latest in extractor fan technology - adaptive extraction - offering 6 pre-set speeds for different installation applications to ensure the fan is doing the job it's supposed to and eliminating issues with mould and condensation 3 year warranty.



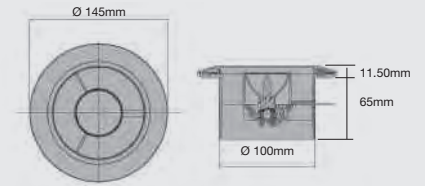
FAN SHOWER KITS

Model STOCK listed in black	Description	Controls	Airflow I/s in FREE AIR (BS848 Pt 1)	Sound pressure level @ 3m dB(A)	Energy Consumption (W)	IP Rating	RRP (ex VAT)
ZSR100TСКА	Silent Timer Shower Kit	Single speed, 230V. Operation by light/remote switch Adjustable timer. Kit includes induct fan, 900 end, 3 metres of Fflexiduct, 4 fixing clips, ceiling grills and fixing screws	31	20	16	IPX4 Zones 1 & 2	£140
ZSR100ETСКА	Silent Timer Shower Kit & Light	Single speed, 230V. Operation by light/remote switch. Adjustable timer. Kit includes induct fan, 12V light unit, light transformer, 90o bend, 3 metres of flexiduct, 4 fixing clips, ceiling grille and fixing screws. Provided with white & chrome bezels.	31	20	Fan 16W, 12V lamp rated at 6W	IPX4 Zones 1 & 2	£154

Length of ductwork should not exceed the length of the ducting supplied Recommended for discharge through an external wall or soffit, but not the roof.

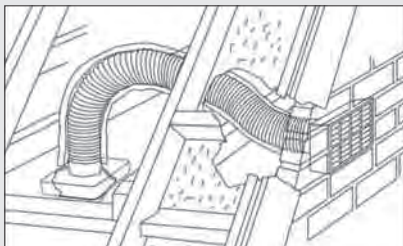


ZSR100TСКА

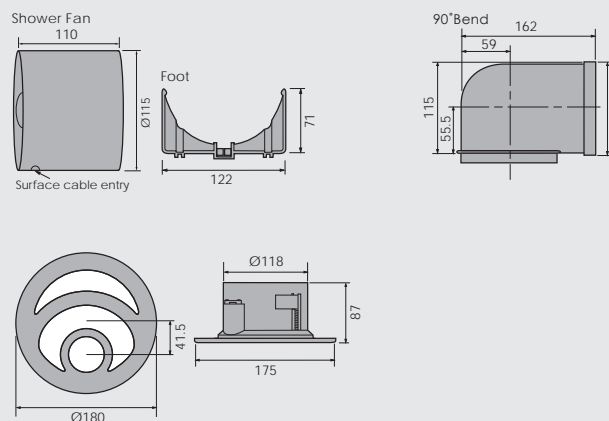


ZSR100ETСКА

Zehnder Silent 100mm Induct Fans



Model STOCK listed in black	Description	Controls	Airflow I/s in FREE AIR (BS848 Pt 1)	Sound pressure level @ 3m dB(A)	Energy Consumption (W)	IP Rating	RRP (ex VAT)
ZHC115ETСКА	125mm Halo timer ceiling fan shower kit and LED light	Single speed, 230V. Operation by light/remote switch Adjustable timer (2-30mins and factory set at 15 mins). Kit includes 125mm induct fan, internal grille with low voltage 12V light and transformer, 90o bend, 3 metres of flexiduct, 4 fixing clips, ceiling grill and fixing screws. White & Chrome bezels provided	56	31	Fan 20W, 12V lamp rated at 6W	IPX4 Zones 1 & 2	£112



Zehnder Silent Shower Fan Kit

Silent fans are 70% quieter than standard axial fans when operating. Supplied as shower kits with or without a LED light in “warm white” (2700K) and with a 3 year warranty.



Zehnder Halo Designer Shower Fan & LED Light Kit Ø125mm

Today's luxurious showers and bathrooms call for high performance and high design. The Zehnder Halo is a ceiling extractor fan supplied as a kit with an integrated LED light in “warm white” (2700K). 3 year warranty





Accessories, valves and more.


Get the total package and enhance your radiator or towel rail with a set of stylish, matching valves.

If you want to guarantee luxurious warm towels throughout the year then choose dual energy options and find what you need in this section.


Zehnder accessories

Model	Overall length mm	Centres mm	Depth mm	Suitable for	Min. n° vertical tubes required	Fixing	RRP ex VAT	RRP inc VAT
-------	-------------------	------------	----------	--------------	---------------------------------	--------	------------	-------------


Zehnder Taurus towel bar - Chrome

	471008	399	297	67	Kleo, Klaro, Sfera, Yucca	Kleo: 11	Non magnetic	£94	£112.80
	471018	432	330			Kleo: 12		£106	£127.20
	471028	531	429			Kleo: 15		£119	£142.80
	471108	399	297		Roda Spa, Roda, Ax Spa	Roda: 6	Magnetic	£163	£195.60
	471118	432	330			Roda: 7		£175	£210.00
	471128	531	429			Roda: 8		£186	£223.20



Zehnder Taurus double hook - Chrome

	470318	100	n/a	67	Kleo, Klaro, Sfera, Yucca	n/a	Non magnetic	£55	£66.00
	470328							Roda Spa, Roda, Ax Spa	Magnetic


Bay towel bar

	Brushed st steel TBAR-9517	290	n/a	60	Bay	5	Non magnetic	£77	£92.40
	Polished st steel TBAR-9516							£106	£127.20


Charleston towel bar

	966018	368	n/a	45	Charleston Bar can be cut to length	9 max	Non magnetic	£133	£159.60
	966028	918				18 max		£148	£177.60
	CTR-28	Spans 6 elements		79	Charleston Chrome towel rail. Contains full length rail and two brackets.	n/a	Non magnetic	£112	£134.40
	CTR-37	Spans 8 elements						£119	£142.80
	CTR-46	Spans 10 elements						£123	£147.60
	CTR-55	Spans 12 elements						£126	£151.20
	CTR-64	Spans 14 elements						£134	£160.80

Metropolitan towel bar (not suitable for MEV models)

	468038	400	n/a	40	Metropolitan	n/a	Non magnetic	£98	£117.60
	468048	500						£100	£120.00
	468058	600						£103	£123.60


Metropolitan hook - chrome x 2 (not suitable for MEV models)

	480438	35	n/a	35	Metropolitan	n/a	Non magnetic	£44	£52.80
-------------------------------------------------------------------------------------	--------	----	-----	----	--------------	-----	--------------	-----	--------


Lambswool brush

	601020	n/a	n/a	n/a	Charleston Range	n/a	n/a	£54	£64.80
-------------------------------------------------------------------------------------	--------	-----	-----	-----	------------------	-----	-----	-----	--------

Pipe and base plate accessory kit x 2 300mm Ø15mm pipe plus 2 cover plates, suitable for most models except those with 50mm pipe centres

	PIPEKIT-9016	white						£25	£30.00
	PIPEKIT-CR	chrome							
	PIPEKIT-BS	brushed steel							
	PIPEKIT-AG	antique gold							

Optional Simple immersion heater cover

	SHECZ-CR	chrome finish						£49	£58.80
-------------------------------------------------------------------------------------	----------	---------------	--	--	--	--	--	-----	--------

Pipework from the wall	Manual Valve sets									Thermostatic Valve sets		
	VAL-SET-1-CR £42	VAL-SET-2-CR £59	VAL-SET-5-BS £213	VAL-SET-5-CR £205	VAL-SET-6-BS £218	VAL-SET-6-CR £210	VAL-SET-8-CR £107	VAL-SET-27-VO £105	VAL-SET-28-VO £130	VAL-SET-9-CR £134	VAL-SET-10-CR £183	VAL-SET-11-CR £183
Ax	✓	✓	x	x	x	x	✓	✓	✓	✓	✓	✓
Ax Spa	✓	✓	x	✓	x	✓	✓	✓	✓	✓	✓	✓
Balmoral	✓	✓	x	x	x	x	✓	✓	✓	✓	✓	✓
Bay	✓	✓	✓	✓	✓	✓	x	✓	✓	✓	✓	✓
Buckingham	✓	✓	x	x	x	x	✓	✓	✓	✓	✓	✓
Charleston	✓	✓	x	x	x	x	✓	✓	✓	✓	✓	✓
Charleston Bar	✓	✓	x	x	x	x	✓	✓	✓	✓	✓	✓
Cove	✓	✓	✓	✓	✓	✓	x	✓	✓	✓	✓	✓
Keel	✓	✓	✓	✓	✓	✓	x	✓	✓	✓	✓	✓
Klaro	✓	✓	x	x	x	x	✓	✓	✓	✓	✓	✓
Kleo	✓	✓	x	x	x	x	x	✓	✓	✓	✓*	✓*
Lyta-S (horizontal)	✓	✓	x	x	x	x	✓	✓	✓	✓	✓	✓
Lyta-T (vertical)	✓	✓	x	x	x	x	✓	✓	✓	✓	✓	✓
Metropolitan	✓	✓	✓	✓	✓	✓	x	✓	✓	✓	✓	✓
Metropolitan Spa	✓	✓	✓	✓	✓	✓	x	✓	✓	✓	✓	✓
Nobis	✓	✓	x	x	x	x	x	✓	✓	✓	✓	✓
Osbourne	✓	✓	x	x	x	x	✓	✓	✓	✓	✓	✓
Quaro Spa	✓	✓	✓	✓	✓	✓	✓	✓	✓	✓	✓	✓
Roda	✓	✓	x	x	x	x	✓	✓	✓	✓	✓*	✓*
Roda Mirror	✓	✓	x	x	x	x	✓	✓	✓	✓	✓	✓
Roda Spa	✓	✓	x	x	x	x	✓	✓	✓	✓	✓	✓
Roda Spa Asym	✓	✓	x	x	x	x	✓	✓	✓	✓	✓	✓
Sfera Bow	✓	✓	x	x	x	x	✓	✓	✓	✓	✓	✓
Stellar	✓	✓	✓	✓	✓	✓	✓	✓	✓	✓	✓	✓
Stellar Spa	✓	✓	✓	✓	✓	✓	✓	✓	✓	✓	✓	✓
Stratos	✓	✓	✓	✓	✓	✓	x	✓	✓	✓	✓	✓
Subway	✓	✓	✓	✓	✓	✓	✓	✓	✓	✓	✓	✓
Vitalo Bar	✓	✓	✓	✓	✓	✓	x	✓	✓	✓	✓	✓
Yucca range	✓	✓	x	x	x	x	x	✓	✓	✓	✓	✓

*Not suitable for single panel models.

The thermostatic valves are not bi-directional and must be installed on the flow connection position.

Please note:

All valves are ex-stock

ALL prices shown here EXCLUDE VAT

Manual Valves

VAL-SET-1-CR £42

Modern angled radiator valve set chrome plated.

Centre of valve to point of connection: 38mm



VAL-SET-2-CR £59

Contemporary double angled radiator valve set chrome plated.

Centre of valve to point of connection: 37mm



VAL-SET-5-BS £213

Square head angled valve set brushed steel.

VAL-SET-5-CR £205

Square head angled valve set chrome plated.
Centre of valve to point of connection: 48mm



VAL-SET-6-BS £218

Square head double angled valve set brushed steel.

VAL-SET-6-CR £210

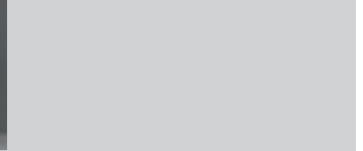
Square head double angled valve set chrome plated.
Centre of valve to point of connection: 48mm



VAL-SET-8-CR £107

Traditional valve set chrome plated.

Centre of valve to point of connection: 37mm

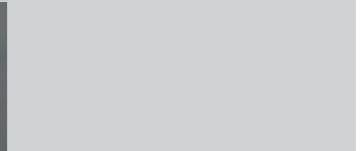


VAL-SET-27-VO £105

Modern angled radiator valve set.
Volcanic finish

Centre of valve to point of connection:
Also available in Matt Black

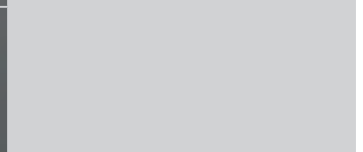
VAL-SET-27-MB £105



VAL-SET-28-VO £130

Contemporary double angled radiator valve set.
Volcanic finish

Centre of valve to point of connection:



Thermostatic Valves

VAL-SET-9-CR £134

Thermostatic angled valve set chrome plated.

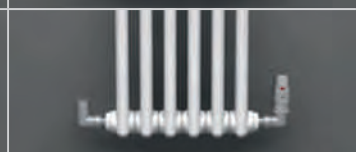
Centre of valve to point of connection: 40mm



VAL-SET-10-CR £183

Thermostatic double angled valve set chrome plated.

Centre of valve to point of connection: 44mm



VAL-SET-11-CR £183

Thermostatic double angled valve set chrome plated.

Centre of valve to point of connection: 44mm



Speciality Valves pipe work from the wall

These valves are suitable for the Yucca radiator on both central heating and dual energy installations.

A TRV head, nut and olive set are also required.

DE Pack also needs to be ordered separately.

All prices shown are ex vat

TRV Head	
white	chrome
819080	819088
£20	£22
nut and olive. Set of 2.	
1016863	
£11	

Central heating & DE



with short cover plate (adds 182mm to height of radiator)		
white	chrome	colour
976031	976038	976039
£191	£266	£219

Pipework from the floor	Manual Valve sets							Thermostatic Valve sets				
	VAL-SET-1-CR £42	VAL-SET-3-CR £59	VAL-SET-5-BS £213	VAL-SET-5-CR £205	VAL-SET-8-CR £218	VAL-SET-26-VO £210	VAL-SET-27-VO £107	VAL-SET-9-CR £105	VAL-SET-12-CR £130	VAL-SET-16-CR £134	VAL-SET-17-BR £183	VAL-SET-17-VO £183
Ax	x	✓	x	x	x	✓	x	x	✓	x	x	x
Ax Spa	x	✓	x	x	x	✓	x	x	✓	x	x	x
Balmoral	✓	x	x	x	✓	x	✓	✓	x	✓	✓	✓
Bay	✓	✓	✓	✓	x	✓	✓	✓	✓	x	✓	✓
Buckingham	x	✓	x	x	x	✓	x	x	x	x	x	x
Charleston	✓	x	x	x	✓	x	✓	✓	x	✓	✓	✓
Charleston Bar	x	✓	x	x	x	✓	x	x	✓	x	x	x
Cove	x	✓	x	x	x	✓	x	x	✓	x	x	x
Excelsior	x	✓	x	x	x	✓	x	x	✓	x	x	x
Keel	x	✓	x	x	x	✓	x	x	✓	x	x	x
Klaro	x	✓	x	x	x	✓	x	x	✓	x	x	x
Kleo	x	✓	x	x	x	✓	x	x	✓	x	x	x
Lyta-S (horizontal)	✓	x	x	x	x	x	✓	✓	x	✓	x	x
Lyta-T (vertical)	✓	x	x	x	x	x	✓	✓	x	✓	x	x
Metropolitan	x	✓	x	x	x	✓	x	x	✓	x	x	x
Metropolitan Spa	x	✓	x	x	x	✓	x	x	✓	x	x	x
Nobis	x	✓	x	x	x	✓	x	x	✓	x	x	x
Osbourne	✓	x	x	x	✓	x	✓	x	x	✓	x	x
Quaro Spa	x	✓	x	x	x	✓	x	x	✓	x	x	x
Roda	x	✓	x	x	x	✓	x	x	✓	x	x	x
Roda Mirror	x	✓	x	x	x	✓	x	x	✓	x	x	x
Roda Spa Asym ROFR	x	✓	x	x	x	✓	x	x	✓	x	x	x
Roda Spa Asym ROFL	x	✓	x	x	x	✓	x	x	✓	x	x	x
Sfera Bow	x	✓	x	x	x	✓	x	x	✓	x	x	x
Stellar	x	✓	x	x	x	✓	x	x	✓	x	x	x
Stellar Spa	x	✓	x	x	x	✓	x	x	✓	x	x	x
Stratos	✓	x	✓	✓	x	x	✓	✓	x	✓	✓	✓
Subway	x	✓	x	x	x	✓	x	x	✓	x	x	x
Vitalo Bar	x	✓	x	x	x	✓	x	x	✓	x	x	x
Yucca range	x	✓	x	x	x	✓	x	x	✓	x	x	x

The thermostatic valves are not bi-directional and must be installed on the flow connection position.

Please note:

All valves are ex-stock

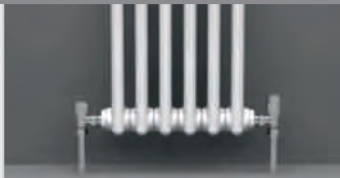
ALL prices shown here EXCLUDE VAT

Valves

VAL-SET-1-CR £42

Modern angled radiator valve set chrome plated.

Centre of valve to point of connection: 38mm



VAL-SET-3-CR £42

Stylish straight radiator valve set chrome plated.



VAL-SET-5-BS £213

Square head angled valve set brushed steel.



VAL-SET-5-CR £205

Square head angled valve set chrome plated.

Centre of valve to point of connection: 48mm



VAL-SET-8-CR £107

Traditional valve set chrome plated.

Centre of valve to point of connection: 37mm



VAL-SET-26-VO £105

Stylish straight radiator valve set.

Volcanic finish



VAL-SET-27-VO £105

Modern angled radiator valve set.

Volcanic finish

Also available in Matt Black

VAL-SET-27-MB £105



Thermostatic Valves

VAL-SET-9-CR £134

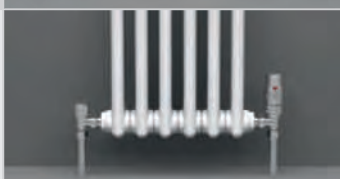
Thermostatic angled valve set chrome plated.

Centre of valve to point of connection: 40mm



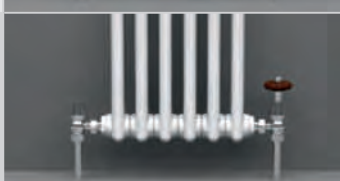
VAL-SET-12-CR £134

Thermostatic straight valve set chrome plated.



VAL-SET-16-CR £192

Aston angled thermostatic valve set chrome plated.



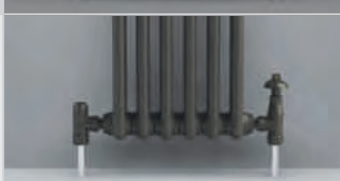
VAL-SET-17-BR £156

Antique design angled thermostatic valve set brass finish.

VAL-SET-17-VO £144

Antique design angled thermostatic valve set volcanic finish.

Centre of valve to point of connection: 44mm



Dual energy installations The electrical element must always be fitted to the return side of the radiator Prices EXCLUDE VAT	Pipe work from the floor					Pipe work from the wall													
	Manual Valve sets			Thermostatic Valve sets		Manual Valve sets							Thermostatic Valve sets						
	VAL-SET-3-CR £42	VAL-SET-4-CR £42	VAL-SET-26-VO £105	VAL-SET-12-CR £134	VAL-SET-13-CR £134	VAL-SET-1-CR £42	VAL-SET-2-CR £99	VAL-SET-5-BS £213	VAL-SET-5-CR £205	VAL-SET-18-CR £129	VAL-SET-19-CR £129	VAL-SET-27-VO £105	VAL-SET-28-VO £130	VAL-SET-10-CR £183	VAL-SET-11-CR £183	VAL-SET-14-CR £150	VAL-SET-15-CR £150	VAL-SET-20-CR £178	VAL-SET-21-CR £178
Ax Spa	x	✓	x	x	✓	✓	x	x	x	✓	x	✓	x	x	x	x	✓	✓	x
Cove	x	✓	x	x	✓	✓	x	✓	✓	✓	✓	✓	x	x	x	✓	✓	✓	✓
Keel range	x	✓	x	x	✓	✓	x	✓	✓	✓	✓	✓	x	x	x	✓	✓	✓	✓
Klaro	x	✓	x	x	✓	✓	x	x	x	✓	✓	✓	x	x	x	✓	✓	✓	✓
Metropolitan Spa (METM)	✓	x	✓	✓	x	✓	✓	x	✓	✓	✓	✓	✓	✓	✓	x	x	✓	✓
Quaro Spa	✓	x	✓	✓	x	✓	✓	x	✓	✓	✓	✓	✓	✓	✓	x	x	✓	✓
Roda	x	✓	x	x	✓	✓	x	x	x	✓	✓	✓	x	x	x	✓	✓	✓	✓
Roda Spa	x	✓	x	x	✓	✓	x	x	x	✓	✓	✓	x	x	x	✓	✓	✓	✓
Roda Spa Asym ROFR	x	✓	x	x	✓	✓	x	x	x	✓	✓	✓	x	x	x	✓	x	✓	✓
Roda Spa Asym ROFL	x	✓	x	x	✓	✓	x	x	x	✓	✓	✓	x	x	x	x	✓	✓	✓
Sfera Bow	x	✓	x	x	✓	✓	x	x	x	✓	x	✓	x	x	x	✓	x	✓	x
Stellar	x	✓	x	x	✓	✓	x	x	✓	✓	✓	✓	x	x	x	✓	✓	✓	✓
Stellar Spa	x	✓	x	x	✓	✓	x	x	✓	✓	✓	✓	x	x	x	✓	✓	✓	✓
Subway	✓	x	✓	✓	x	✓	✓	x	✓	✓	✓	✓	✓	✓	✓	x	x	✓	✓
Yucca range	x	✓	x	x	✓	✓	x	x	x	✓	✓	✓	x	x	x	✓	✓	✓	✓

Manual Valves pipe work from the floor

<p>VAL-SET-3-CR £42 Stylish straight radiator valve set chrome plated.</p>			
<p>VAL-SET-4-CR £42 Mixed dual energy radiator valve set chrome plated.</p>			
<p>VAL-SET-26-VO £105 Stylish straight radiator valve set. Volcanic finish.</p>			

Thermostatic Valves pipe work from the floor

<p>VAL-SET-12-CR £134 Thermostatic straight valve set chrome plated.</p>			
<p>VAL-SET-13-CR £134 Thermostatic mixed valve set chrome plated.</p>			

Optional Simple immersion heater cover

<p>SHECZ-CR chrome finish £49.00 plus vat</p>			
--------------------------------------------------------------	-------------------------------------------------------------------------------------	--------------------------------------------------------------------------------------	---------------------------------------------------------------------------------------

Manual valves pipework from the wall

VAL-SET-1-CR £42

Modern angled radiator valve set chrome plated.



VAL-SET-2-CR £59

Contemporary double angled radiator valve set chrome plated.



VAL-SET-5-BS £213

Square head angled valve set brushed steel.



VAL-SET-5-CR £205

Square head angled valve set chrome plated.



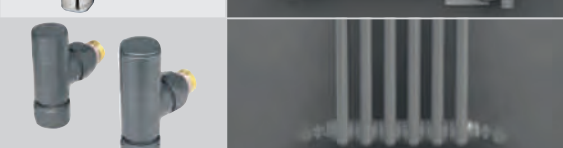
VAL-SET-18-CR £129

Dual fuel right hand flow valve set chrome plated.



VAL-SET-19-CR £129

Dual fuel left hand flow valve set chrome plated.

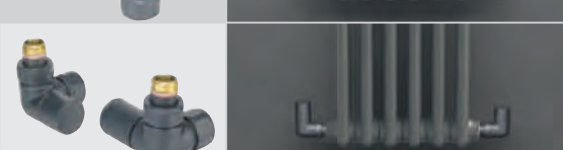


VAL-SET-27-VO £105

Modern angled radiator valve set.
Volcanic finish

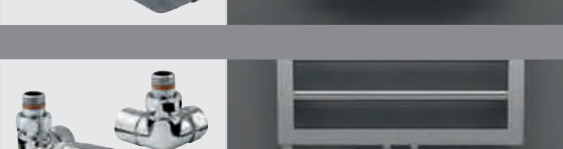
Also available in Matt Black

VAL-SET-27-MB £105



VAL-SET-28-VO £130

Contemporary double angled radiator valve set.
Volcanic finish



Thermostatic Valves

VAL-SET-10-CR £183

Thermostatic double angled valve set chrome plated.



VAL-SET-11-CR £183

Thermostatic double angled valve set chrome plated.



VAL-SET-14-CR £150

Thermostatic double angled mixed valve set chrome plated.



VAL-SET-15-CR £150

Thermostatic double angled mixed valve set chrome plated.



VAL-SET-20-CR £178

Thermostatic dual fuel right hand flow valve set chrome plated.



VAL-SET-21-CR £178

Thermostatic dual fuel left hand flow valve set chrome plated.



Zehnder dual energy and electric elements

Zehnder's range of electric radiators, with their factory-fitted electric elements, give economical and efficient heating wherever required.

Dual energy towel drying radiators continue to offer warmth and comfort throughout the home during summer months when the central heating system is not in use.

To switch heating operations:

For summer use:

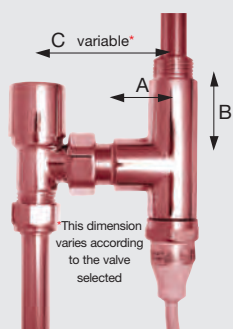
- Switch off the central heating
- Vent the radiator to ensure there isn't any air present
- Close the flow valve (only)
- Activate the immersion heater as required

For winter use:

- De-activate the immersion heater
- Open the flow valve

The immersion heater should be fitted on the return side of the radiator

Simultaneous use of the electrical element and the central heating should be avoided as this will shorten the life of the element and invalidate the warranty.



Dimensions (mm)		
A	B	C
DBM short t-piece with Chromax valve		
22	17	65
DE-Pack short t-piece with Chromax valve		
22	17	65

We recommend that all electrical work be undertaken in accordance with current I.E.E wiring regulations. If in doubt of zoning requirements, we recommend that a 30mA R.C.D is installed.

Zehnder dual energy heating options			
Model	DE pack	DBM	Safir
Ax Spa	✓	✓	
Cove	✓	✓	
Keel Range	✓		
Klaro	✓	✓	
Metropolitan Spa			✓
Roda Spa	✓	✓	
Roda Spa Asymmetrical	✓	✓	
Sfera Bow	✓	✓	
Stellar	✓	✓	
Stellar Spa	✓	✓	
Subway	✓	✓	
Yucca Range	✓	✓*	

✓ Self fit
 ✓ Factory fitted dual energy immersion heater - see page 33 for details
 * DBM not suitable for use with the Yucca Valve

Model	Watts	Length (mm)	RRP (ex VAT)	RRP (inc VAT)
DE Pack (Class I IPX5 - Zone 1 and 2) Electrical element and chromium plated t-piece for element and radiator valve connection (no controls).				
DE Pack 100	100	304	£134	£160.80
DE Pack 150	150	304		
DE Pack 200	200	339		
DE Pack 300	300	377		
DE Pack 400	400	416		
DE Pack 500	500	496		
DE Pack 600	600	581		
DE Pack 700	700	753		
DE Pack 900	900	900		

Model	Watts	Finish	RRP (ex VAT)	RRP (inc VAT)
DBM Pack (Class II IPX4 - Zone 1 and 2) Manual and programmable operations, 2 temperature settings, 2 hour programmable timer. Equipped with a thermal fuse. Chromium plated t-piece included with dual energy version.				
857531	150	white	£191	£229.20
857541	200			
857211	300			
857251	500			
857221	600			
857261	750			
857231	900	chrome	£218	£261.60
857288	150			
857278	200			
857218	300			
857258	500			
857228	600			
857268	750			
857238	900			

Zehnder electric energy factory-fitted elements					Programmable with infra red controls
Model	Non-programmable	Programmable*			
	Simple immersion	BHCLIGHT1-S	LCD controller	DBM	Radio frequency**
Alura			✓		
Ax Spa	✓			✓	✓
Balmoral	✓				
Buckingham	✓				
Charleston		✓			
Klaro	✓				
Metropolitan Spa					✓
Osbourne	✓				
Quaro Spa					✓
Roda Spa	✓			✓	✓
Roda Spa Asymmetrical					
Subway	✓***				✓

* Programmable to varying levels of functionality.

** The shape of the Radio frequency controller immersion unit differs according to the radiator.

*** Subway and Sfera simple immersion heater housed in Radio frequency controller casing.

Factory fitted options



Alura Temperature Controller:

Backlit LCD digital display screen gives complete control. Temperature can be adjusted in 0.5°C increments. 3 pre-set programmes and 5 mode settings. Open window detection system and parental lock.



Radio frequency controller

User-friendly remote control device allows simple operation
Increased safety due to parental control
High energy efficiency due to compliance with the European Ecodesign Directive saves energy costs
Maximum surface temperature of 65 °C ensures increased safety (chrome-plated version)
Flexible control options: remote control device for wall mounting or base
Comfortable operation as needed due to customisable daily and weekly programmes
Low energy consumption of only 0.5 W in stand-by mode for increased energy efficiency
Comfort on demand due to adjustable boost heating

Factory-fitted/self-fit options



DBM (Class II IPX4 - Zone 1 bath and Zone 2 shower)

Manual and programmable operations, 2 temperature settings, 2 hour programmable timer. Equipped with a thermal fuse. Chromium plated t-piece included with dual energy version.



DE Pack (Class I IPX5 - Zone 1 bath and Zone 2 shower)

Electric element without controls.
Chromium plated t-piece included with dual energy version.
Optional Zehnder simple immersion heater element and cable cover - Chrome Finish



Technical specifications.

All radiators are CE marked and independently tested to EN442. We pride ourselves on the high performance of our products.

All information is available for you to effectively size your heating requirements in this section.

Zehnder Ribbon

Stock Models									
Model code	Height mm	Width mm	Finish	Outputs $\Delta T=50K$		Outputs $\Delta T=30K$		Weight kg	Max. Immersion Rating
				Watts	Btu	Watts	Btu		
RB-100-050	965	500	white	398	1358	211	720	8.4	200
RB-130-050	1266	500	white	509	1737	271	925	10.7	300
RB-160-050	1567	500	white	608	2074	330	1126	13.1	400
RB-180-050	1823	500	white	723	2467	383	1307	15.1	400
RB-100-050-0557	965	500	matt black	398	1358	211	720	8.4	500
RB-130-050-0557	1266	500	matt black	509	1737	271	925	10.7	600
RB-160-050-0557	1567	500	matt black	608	2074	330	1126	13.1	150
RB-180-050-0557	1823	500	matt black	723	2467	383	1307	15.1	200
RBC-100-050	965	500	chrome	261	891	137	467	8.5	300
RBC-130-050	1266	500	chrome	327	1116	171	583	10.8	300
RBC-160-050	1567	500	chrome	393	1341	205	699	13.1	300
RBC-180-050	1823	500	chrome	461	1573	240	819	15.4	400

Max. Working Pressure: 10 bar Test House: WSP-LAB
 Max. Working Temperature: xxx°C Test House No: 1428

Zehnder Quaro Spa

Stock Models														
Model code	Height mm	Width mm	Finish	Overall Projection mm	Pipe Centres mm		Outputs $\Delta T=50K$		Outputs $\Delta T=30K$		n Exponent	Weight kg	Water Content litres	Max. Immersion Rating
					radiator	from wall	Watts	Btu	Watts	Btu				
QS-075-045	803	450	white/colour	90-100	418	75-85	332	1133	177	605	1.23	7.5	3.7	200
QS-120-045	1251	450	white/colour	90-100	418	75-85	493	1682	262	894	1.24	10.3	5.4	300
QS-120-055	1251	550	white/colour	90-100	518	75-85	580	1979	308	1051	1.24	12	6.3	400
QS-150-045	1507	450	white/colour	90-100	418	75-85	588	2006	312	1063	1.24	11.9	6.5	400
QS-150-055	1507	550	white/colour	90-100	518	75-85	694	2368	368	1254	1.24	14	7.4	500
QS-180-055	1827	550	white/colour	90-100	518	75-85	851	2904	452	1544	1.24	16.9	9.2	600
QSC-075-045	803	450	chrome	90-100	418	75-85	206	703	108	368	1.27	7.1	3.7	150
QSC-120-045	1251	450	chrome	90-100	418	75-85	313	1068	163	557	1.28	9.8	5.4	200
QSC-120-055	1251	550	chrome	90-100	518	75-85	376	1283	197	671	1.27	11.6	6.3	300
QSC-150-045	1507	450	chrome	90-100	418	75-85	371	1266	192	656	1.29	11.3	6.5	300
QSC-150-055	1507	550	chrome	90-100	518	75-85	443	1512	230	783	1.29	13.4	7.4	300
QSC-180-055	1827	550	chrome	90-100	518	75-85	544	1856	283	965	1.28	16.1	9.2	400

Max. Working Pressure: 10 bar Test House: WSP-LAB
 Max. Working Temperature: xxx°C Test House No: 1428

Zehnder Vitalo Bar

Stock Models													
Model code	Height mm	Width mm	Finish	Overall Projection mm	Pipe Centres mm		Outputs $\Delta T=50K$		Outputs $\Delta T=30K$		n Exponent	Weight kg	Water Content litres
					radiator	from wall	Watts	Btu	Watts	Btu			
VIP-125-040	1250	400	white	115	50	60	465	1587	249	850	1.22	7.0	0.7
VIP-125-050	1250	500	white	115	50	60	555	1894	298	1017	1.22	8.7	0.8
VIP-125-060	1250	600	white	115	50	60	641	2187	345	1177	1.21	10.5	0.9
VIP-160-040	1600	400	white	115	50	60	546	1863	296	1010	1.20	9.3	0.7
VIP-160-050	1600	500	white	115	50	60	676	2307	364	1242	1.21	11.4	0.9
VIP-160-060	1600	600	white	115	50	60	806	2750	434	1481	1.21	13.6	1.0
VIP-190-040	1900	400	white	115	50	60	673	2296	363	1239	1.21	10.9	0.9
VIP-190-050	1900	500	white	115	50	60	834	2846	450	1535	1.21	12.7	1.1
VIP-190-060	1900	600	white	115	50	60	994	3392	536	1829	1.21	14.6	1.3

Max. Working Pressure: 10 bar Test House: WSP-LAB
 Max. Working Temperature: 80°C Test House No: 1428

Zehnder Klaro

Stock Models														
Model code	Height mm	Width mm	Finish	Overall Projection mm	Pipe Centres mm		Outputs $\Delta T=50K$		Outputs $\Delta T=30K$		n Exponent	Weight kg	Water Content litres	Max. Immersion Rating
					radiator	from wall	Watts	Btu	Watts	Btu				
ZSL-080-045	748	450	white/colour	87 to 102	412	68 to 83	354	1208	187	638	1.25	5.4	3.6	200
ZSL-080-050	748	500	white/colour	87 to 102	462	68 to 83	388	1324	205	699	1.25	5.8	3.8	200
ZSL-080-060	748	600	white/colour	87 to 102	562	68 to 83	455	1552	240	819	1.25	6.7	4.3	300
ZSL-120-045	1148	450	white/colour	87 to 102	412	68 to 83	521	1778	272	928	1.27	8.1	5.4	300
ZSL-120-050	1148	500	white/colour	87 to 102	462	68 to 83	571	1948	298	1017	1.27	8.7	5.8	400
ZSL-120-060	1148	600	white/colour	87 to 102	562	68 to 83	670	2286	352	1201	1.26	9.8	6.6	500
ZSL-150-050	1466	500	white/colour	87 to 102	462	68 to 83	716	2443	372	1269	1.28	10.9	7.4	500
ZSL-150-060	1466	600	white/colour	87 to 102	562	68 to 83	839	2863	436	1488	1.28	12.3	8.5	500
ZSL-170-045	1708	450	white/colour	87 to 102	412	68 to 83	751	2562	385	1314	1.31	11.2	7.9	500
ZSL-170-050	1708	500	white/colour	87 to 102	462	68 to 83	824	2811	424	1447	1.30	12.2	8.5	500
ZSL-170-060	1708	600	white/colour	87 to 102	562	68 to 83	966	3296	502	1713	1.28	14.2	9.6	600
ZSLC-080-050	748	500	chrome	87 to 102	462	68 to 83	283	966	146	498	1.30	5.8	3.8	200
ZSLC-080-060	748	600	chrome	87 to 102	562	68 to 83	332	1133	172	587	1.29	6.7	4.3	200
ZSLC-120-050	1148	500	chrome	87 to 102	462	68 to 83	417	1423	216	737	1.29	8.7	5.8	300
ZSLC-120-060	1148	600	chrome	87 to 102	562	68 to 83	489	1668	250	853	1.31	9.8	6.6	300
ZSLC-150-050	1466	500	chrome	87 to 102	462	68 to 83	475	1621	241	822	1.33	10.5	7.3	300
ZSLC-150-060	1466	600	chrome	87 to 102	562	68 to 83	560	1911	284	969	1.33	12.1	8.4	400
ZSLC-170-050	1708	600	chrome	87 to 102	562	68 to 83	601	2050	308	1051	1.31	12.2	8.5	400
ZSLC-170-060	1708	600	chrome	87 to 102	562	68 to 83	705	2405	361	1232	1.31	14.2	9.6	500

Max. Working Pressure: 4 bar

Test House: HLK STUTT GART

Max. Working Temperature: 110°C

Test House No: 0626

Zehnder Subway

Stock Models														
Model code	Height mm	Width mm	Finish	Overall Projection mm	Pipe Centres mm		Outputs $\Delta T=50K$		Outputs $\Delta T=30K$		n Exponent	Weight kg	Water Content litres	Max. Immersion Rating
					radiator	from wall	Watts	Btu	Watts	Btu				
SUB-060-045	613	450	white/colour	70 to 80	50 or 418	55 to 65	310	1058	164	560	1.25	5.2	2.3	200
SUB-100-045	973	450	white/colour	70 to 80	50 or 418	55 to 65	401	1368	212	723	1.25	6.7	3.5	300
SUB-100-060	973	600	white/colour	70 to 80	50 or 568	55 to 65	499	1703	264	901	1.25	8.3	4.3	300
SUB-130-045	1261	450	white/colour	70 to 80	50 or 418	55 to 65	509	1737	269	918	1.25	8.6	4.5	300
SUB-130-060	1261	600	white/colour	70 to 80	50 or 568	55 to 65	639	2180	337	1150	1.25	10.5	5.4	400
SUB-150-045	1549	450	white/colour	70 to 80	50 or 418	55 to 65	615	2098	325	1109	1.25	10.6	5.4	400
SUB-150-060	1549	600	white/colour	70 to 80	50 or 568	55 to 65	772	2634	408	1392	1.25	12.5	7.2	500
SUB-180-045	1837	450	white/colour	70 to 80	50 or 418	55 to 65	715	2440	380	1297	1.24	12.2	6.3	500
SUB-180-060	1837	600	white/colour	70 to 80	50 or 568	55 to 65	898	3064	477	1628	1.24	14.7	7.7	600
SUBC-060-045	613	450	chrome	70 to 80	50 or 418	55 to 65	205	699	107	365	1.27	5.0	2.3	100
SUBC-100-045	973	450	chrome	70 to 80	50 or 418	55 to 65	265	904	139	474	1.27	6.5	3.5	200
SUBC-100-060	973	600	chrome	70 to 80	50 or 568	55 to 65	329	1123	173	590	1.26	8.1	4.3	200
SUBC-130-045	1261	450	chrome	70 to 80	50 or 418	55 to 65	335	1143	175	597	1.27	8.4	4.5	200
SUBC-130-060	1261	600	chrome	70 to 80	50 or 568	55 to 65	406	1385	213	727	1.26	10.2	5.4	300
SUBC-150-045	1549	450	chrome	70 to 80	50 or 418	55 to 65	420	1433	220	751	1.27	10.1	5.4	300
SUBC-150-060	1549	600	chrome	70 to 80	50 or 568	55 to 65	508	1733	267	911	1.26	12.3	7.2	300
SUBC-180-045	1837	450	chrome	70 to 80	50 or 418	55 to 65	485	1655	254	867	1.27	11.8	6.3	300
SUBC-180-060	1837	600	chrome	70 to 80	50 or 568	55 to 65	592	2020	311	1061	1.26	14.3	7.7	400

Max. Working Pressure: 20 bar

Test House: HLK STUTT GART

Max. Working Temperature: 120°C

Test House No: 0626

Zehnder Sfera Bow

Stock Models														
Model code	Height mm	Width mm	Finish	Overall Projection mm	Pipe Centres mm		Outputs $\Delta T=50K$		Outputs $\Delta T=30K$		n Exponent	Weight kg	Water Content litres	Max. Immersion Rating
					radiator	from wall	Watts	Btu	Watts	Btu				
SH-086-050	859	498	white/colour	138 to 153	446	70 to 85	460	1569	245	836	1.23	8.0	4.1	300
SH-086-060	859	593	white/colour	138 to 153	541	70 to 85	554	1890	296	1010	1.23	9.2	4.6	300
SH-126-050	1255	498	white/colour	138 to 153	446	70 to 85	710	2423	379	1293	1.23	12.5	6.3	500
SH-126-060	1255	593	white/colour	138 to 153	541	70 to 85	850	2900	453	1546	1.23	14.4	7.0	600
SH-175-050	1750	498	white/colour	138 to 153	446	70 to 85	946	3228	505	1723	1.23	17.3	8.7	600
SH-175-060	1750	593	white/colour	138 to 153	541	70 to 85	1126	3841	601	2051	1.23	19.8	9.7	750
SHC-086-050	859	498	chrome	138 to 153	446	70 to 85	316	1078	169	577	1.23	8.0	4.1	200
SHC-086-060	859	593	chrome	138 to 153	541	70 to 85	350	1194	187	638	1.23	9.2	4.6	200
SHC-126-050	1255	498	chrome	138 to 153	446	70 to 85	476	1624	254	867	1.23	12.5	6.3	300
SHC-126-060	1255	593	chrome	138 to 153	541	70 to 85	573	1955	306	1044	1.23	14.4	7.0	300
SHC-175-050	1750	498	chrome	138 to 153	446	70 to 85	650	2218	347	1184	1.23	17.3	8.7	500
SHC-175-060	1750	593	chrome	138 to 153	541	70 to 85	775	2644	413	1409	1.23	19.8	9.7	500

Max. Working Pressure: 4 bar

Test House: WSP-LAB

Max. Working Temperature: 110°C

Test House No: 1428

Zehnder Yucca Asym

Stock Models														
Model code	Height mm	Width mm	Finish	Overall Projection mm	Pipe Centres mm		Outputs $\Delta T=50K$		Outputs $\Delta T=30K$		n Exponent	Weight kg	Water Content litres	Max. Immersion Rating
					radiator	from wall	Watts	Btu	Watts	Btu				
Single tube														
YA-090-050	872	478	white/colour	82 to 97	50	48 to 63	353	1204	183	624	1.29	9.2	2.8	200
YA-130-040	1304	378	white/colour	82 to 97	50	48 to 63	439	1498	232	792	1.25	11.3	3.6	300
YA-130-050	1304	478	white/colour	82 to 97	50	48 to 63	525	1791	272	928	1.29	13.6	4.2	300
YA-130-060	1304	578	white/colour	82 to 97	50	48 to 63	607	2071	314	1071	1.29	15.9	4.7	400
YA-170-040	1736	378	white/colour	82 to 97	50	48 to 63	574	1958	298	1017	1.28	15.0	4.8	400
YA-170-050	1736	478	white/colour	82 to 97	50	48 to 63	696	2375	360	1228	1.29	18.1	5.6	500
YA-170-060	1736	578	white/colour	82 to 97	50	48 to 63	798	2723	411	1402	1.30	21.1	6.3	500
YAC-090-050	872	478	chrome	82 to 97	50	48 to 63	247	842	128	437	1.29	9.2	2.8	150
YAC-130-040	1304	378	chrome	82 to 97	50	48 to 63	307	1047	162	553	1.25	11.3	3.6	200
YAC-130-050	1304	478	chrome	82 to 97	50	48 to 63	367	1254	190	648	1.29	13.6	4.2	200
YAC-130-060	1304	578	chrome	82 to 97	50	48 to 63	424	1447	219	747	1.29	15.9	4.7	300
YAC-170-040	1736	378	chrome	82 to 97	50	48 to 63	402	1372	209	713	1.28	15.0	4.8	300
YAC-170-050	1736	478	chrome	82 to 97	50	48 to 63	487	1662	252	860	1.29	18.1	5.6	300
YAC-170-060	1736	578	chrome	82 to 97	50	48 to 63	559	1907	288	983	1.30	21.1	6.3	300
Double tube														
YAD-130-040	1304	378	white/colour	124 to 139	50	92 to 107	625	2133	322	1099	1.30	19.7	5.7	400
YAD-130-060	1304	578	white/colour	124 to 139	50	92 to 107	880	3003	442	1508	1.35	28.9	8.0	600
YAD-170-040	1736	378	white/colour	124 to 139	50	92 to 107	832	2838	430	1467	1.29	26.2	7.7	500
YAD-170-050	1736	478	white/colour	124 to 139	50	92 to 107	995	3395	510	1740	1.31	32.3	9.1	600
YAD-170-060	1736	578	white/colour	124 to 139	50	92 to 107	1151	3927	580	1979	1.34	38.4	10.6	750

Max. Working Pressure: 12 bar Test House: WSP-LAB
 Max. Working Temperature: 120°C Test House No: 1428

Zehnder Yucca Sym

Stock Models														
Model code	Height mm	Width mm	Finish	Overall Projection mm	Pipe Centres mm		Outputs $\Delta T=50K$		Outputs $\Delta T=30K$		n Exponent	Weight kg	Water Content litres	Max. Immersion Rating
					radiator	from wall	Watts	Btu	Watts	Btu				
Single tube														
YS-090-050	908	500	white/colour	82 to 97	50	48 to 63	321	1129	170	580	1.24	8.4	2.6	200
YS-130-050	1340	500	white/colour	82 to 97	50	48 to 63	477	1628	251	856	1.26	12.6	4.0	300
YS-130-060	1340	600	white/colour	82 to 97	50	48 to 63	541	1846	284	969	1.26	14.2	4.3	300
YS-130-080	1340	800	white/colour	82 to 97	50	48 to 63	661	2255	346	1181	1.27	17.2	5.1	500
YS-180-050	1772	500	white/colour	82 to 97	50	48 to 63	621	2119	328	1119	1.25	16.8	5.2	400
YS-180-060	1772	600	white/colour	82 to 97	50	48 to 63	706	2409	371	1266	1.26	18.8	5.7	500
YS-180-080	1772	800	white/colour	82 to 97	50	48 to 63	863	2945	447	1525	1.29	22.9	6.7	600
YSC-090-050	908	500	chrome	82 to 97	50	48 to 63	224	764	119	406	1.24	8.4	2.6	150
YSC-130-050	1340	500	chrome	82 to 97	50	48 to 63	333	1136	175	597	1.26	12.6	4.0	200
YSC-130-060	1340	600	chrome	82 to 97	50	48 to 63	378	1290	199	679	1.26	14.2	4.3	300
YSC-130-080	1340	800	chrome	82 to 97	50	48 to 63	462	1576	241	822	1.27	17.2	5.1	300
YSC-180-050	1772	500	chrome	82 to 97	50	48 to 63	434	1481	229	781	1.25	16.8	5.2	300
YSC-180-060	1772	600	chrome	82 to 97	50	48 to 63	494	1686	260	887	1.26	18.8	5.7	300
YSC-180-080	1772	800	chrome	82 to 97	50	48 to 63	604	2061	313	1068	1.29	22.9	6.7	400
Double tube														
YSD-130-050	1340	500	white/colour	124 to 139	50	92 to 107	717	2446	375	1280	1.27	22.3	6.4	500
YSD-130-060	1340	600	white/colour	124 to 139	50	92 to 107	823	2808	428	1460	1.28	25.3	7.1	500
YSD-130-080	1340	800	white/colour	124 to 139	50	92 to 107	1024	3494	527	1798	1.30	31.4	8.5	600
YSD-180-050	1772	500	white/colour	124 to 139	50	92 to 107	926	3159	479	1634	1.29	29.6	8.4	600
YSD-180-060	1772	600	white/colour	124 to 139	50	92 to 107	1063	3627	547	1866	1.30	33.7	9.4	600
YSD-180-080	1772	800	white/colour	124 to 139	50	92 to 107	1322	4511	674	2300	1.32	41.8	11.4	900

Max. Working Pressure: 12 bar Test House: WSP-LAB
 Max. Working Temperature: 120°C Test House No: 1428

Zehnder Metropolitan Spa

Stock Models														
Model code	Height mm	Width mm	Finish	Overall Projection mm	Pipe Centres mm		Outputs $\Delta T=50K$		Outputs $\Delta T=30K$		n Exponent	Weight kg	Water Content litres	Max. Immersion Rating
					radiator	from wall	Watts	Btu	Watts	Btu				
MET-080-040	805	400	white/colour	79 to 89	50 or 320	60 to 70	327	1116	173	590	1.25	6.5	3.5	250
MET-080-050	805	500	white/colour	79 to 89	50 or 420	60 to 70	388	1324	204	696	1.26	7.8	3.8	300
MET-080-060	805	600	white/colour	79 to 89	50 or 520	60 to 70	445	1518	233	795	1.27	9.1	4.2	300
MET-120-040	1225	400	white/colour	79 to 89	50 or 320	60 to 70	474	1617	249	850	1.26	9.8	4.8	300
MET-120-050	1225	500	white/colour	79 to 89	50 or 420	60 to 70	561	1914	295	1007	1.26	11.7	5.2	400
MET-120-060	1225	600	white/colour	79 to 89	50 or 520	60 to 70	645	2201	337	1150	1.27	13.5	5.7	400
MET-150-040	1540	400	white/colour	79 to 89	50 or 320	60 to 70	582	1986	306	1044	1.26	11.5	5.4	400
MET-150-050	1540	500	white/colour	79 to 89	50 or 420	60 to 70	690	2354	361	1232	1.27	13.5	5.9	500
MET-180-050	1750	500	white/colour	79 to 89	50 or 420	60 to 70	775	2644	407	1389	1.26	16.3	7.3	500
MET-180-060	1750	600	white/colour	79 to 89	50 or 520	60 to 70	889	3033	465	1587	1.27	19.0	8.0	600

Max. Working Pressure: 4 bar Test House: HLK STUTTGART
 Max. Working Temperature: 120°C Test House No: 0626

Zehnder Ax Spa

Stock Models														
Model code	Height mm	Width mm	Finish	Overall Projection mm	Pipe Centres mm		Outputs $\Delta T=50K$		Outputs $\Delta T=30K$		n Exponent	Weight kg	Water Content litres	Max. Immersion Rating
					radiator	from wall	Watts	Btu	Watts	Btu				
Single tube														
ZA-048-040	484	400	white/colour	97 to 112	350	70 to 85	230	785	118	403	1.31	4.5	2.2	n/a
ZA-060-080	575	800	white/colour	97 to 112	750	70 to 85	458	1563	235	802	1.31	10.2	2.1	300
ZA-060-090	575	900	white/colour	97 to 112	850	70 to 85	515	1757	264	901	1.31	11.3	2.2	300
ZA-060-100	575	1000	white/colour	97 to 112	950	70 to 85	573	1955	293	1000	1.31	12.4	2.4	300
ZA-060-120	575	1200	white/colour	97 to 112	1150	70 to 85	687	2344	352	1202	1.31	14.5	2.6	300
ZA-080-050	836	500	white/colour	97 to 112	450	70 to 85	427	1457	225	768	1.25	8.6	2.4	300
ZA-120-050	1188	500	white/colour	97 to 112	450	70 to 85	586	1999	311	1061	1.24	12.0	3.3	300
ZA-120-060	1188	600	white/colour	97 to 112	550	70 to 85	685	2337	364	1242	1.24	13.7	3.5	500
ZA-150-040	1540	400	white/colour	97 to 112	350	70 to 85	614	2095	326	1112	1.24	12.3	4.0	400
ZA-150-050	1540	500	white/colour	97 to 112	450	70 to 85	738	2518	392	1338	1.23	14.4	4.3	500
ZA-180-050	1804	500	white/colour	97 to 112	450	70 to 85	884	3016	472	1610	1.25	18.6	5.1	600
ZAC-080-050	836	500	chrome	97 to 112	450	70 to 85	300	1024	158	539	1.24	8.6	2.4	300
ZAC-120-050	1188	500	chrome	97 to 112	450	70 to 85	410	1399	218	744	1.24	12.0	3.3	300
ZAC-120-060	1188	600	chrome	97 to 112	550	70 to 85	480	1638	255	870	1.24	13.7	3.5	500
ZAC-150-040	1540	400	chrome	97 to 112	350	70 to 85	430	1467	228	778	1.24	12.3	4.0	400
ZAC-150-050	1540	500	chrome	97 to 112	450	70 to 85	520	1774	276	942	1.23	14.4	4.3	500
ZAC-180-050	1804	500	chrome	97 to 112	450	70 to 85	620	2115	331	1129	1.23	18.6	5.1	600
Double tube														
ZAD-150-050	1540	500	white/colour	97 to 112	450	70 to 85	1049	3579	548	1870	1.27	25.3	5.4	n/a
ZAD-180-050	1804	500	white/colour	97 to 112	450	70 to 85	1262	4306	653	2228	1.29	30.5	6.5	n/a
ZAD-180-060	1804	600	white/colour	97 to 112	550	70 to 85	1485	5067	772	2634	1.28	35.6	7.1	n/a

Max. Working Pressure: 4 bar Test House: CETIAT
 Max. Working Temperature: 110°C Test House No: 1623

Zehnder Roda Spa

Stock Models														
Model code	Height mm	Width mm	Finish	Overall Projection mm	Pipe Centres mm		Outputs $\Delta T=50K$		Outputs $\Delta T=30K$		n Exponent	Weight kg	Water Content litres	Max. Immersion Rating
					radiator	from wall	Watts	Btu	Watts	Btu				
RO-060-100	667	1000	white/colour	98 to 113	932	70 to 85	656	2238	343	1170	1.27	14.6	5.5	400
RO-070-050	741	500	white/colour	98 to 113	432	70 to 85	377	1286	197	672	1.27	8.2	3.7	400
RO-100-050	1037	500	white/colour	98 to 113	432	70 to 85	504	1720	265	904	1.26	12.2	5.1	400
RO-120-050	1259	500	white/colour	98 to 113	432	70 to 85	583	1989	308	1051	1.25	14.0	6.1	400
RO-150-050	1481	500	white/colour	98 to 113	432	70 to 85	691	2358	367	1252	1.24	16.5	7.3	400
RO-180-050	1851	500	white/colour	98 to 113	432	70 to 85	817	2788	438	1494	1.22	21.5	9.2	400
RO-180-060	1851	600	white/colour	98 to 113	532	70 to 85	980	3344	525	1791	1.22	23.5	10.3	400
RO-180-080	1851	800	white/colour	98 to 113	732	70 to 85	1307	4460	701	2392	1.22	31.5	12.5	400

Max. Working Pressure: 4 bar Test House: CETIAT
 Max. Working Temperature: 110°C Test House No: 1623

Zehnder Roda Spa Asym

Stock Models														
Model code	Height mm	Width mm	Finish	Overall Projection mm	Pipe Centres mm		Outputs $\Delta T=50K$		Outputs $\Delta T=30K$		n Exponent	Weight kg	Water Content litres	Immersion Rating
					radiator	from wall	Watts	Btu	Watts	Btu				
ROFL-080-055	805	550	white/colour	98 to 113	50	75 to 85	429	1464	228	778	1.23	10	4.3	300
ROFL-120-055	1183	550	white/colour	98 to 113	50	75 to 85	594	2027	314	1071	1.25	14	6.3	400
ROFL-170-055	1676	550	white/colour	98 to 113	50	75 to 85	809	2760	424	1447	1.27	20	8.8	500
ROFR-080-055	805	550	white/colour	98 to 113	50	75 to 85	429	1464	228	778	1.23	10	4.3	300
ROFR-120-055	1183	550	white/colour	98 to 113	50	75 to 85	594	2027	314	1071	1.25	14	6.3	400
ROFR-170-055	1676	550	white/colour	98 to 113	50	75 to 85	809	2760	424	1447	1.27	20	8.8	500

Zehnder Charleston Bar

Stock Models														
Model code	Height mm	Width mm	Finish	Overall Projection mm	Pipe Centres mm		Outputs $\Delta T=50K$		Outputs $\Delta T=30K$		n Exponent	Weight kg	Water Content litres	
					radiator	from wall	Watts	Btu	Watts	Btu				
CPV2075-6	742	302	white/colour	134	length + valves		59	330	1125	174	593	1.25	7.2	4.2
CPV2090-10	892	486	white/colour	134	length + valves		59	639	2179	337	1149	1.25	14.4	8.0
CPV2120-10	1192	486	white/colour	134	length + valves		59	827	2820	435	1483	1.26	18.6	11.0
CPV2150-10	1492	486	white/colour	134	length + valves		59	1040	3546	541	1844	1.28	23.2	13.0
CPV2150-12	1492	578	white/colour	134	length + valves		59	1248	4256	649	2213	1.28	27.7	15.6
CPV2150-14	1492	670	white/colour	134	length + valves		59	1456	4965	757	2582	1.28	32.2	18.2
CPV2150-16	1492	762	white/colour	134	length + valves		59	1664	5674	865	2951	1.28	36.8	20.8
CPV2180-10	1792	486	white/colour	134	length + valves		59	1240	4228	635	2165	1.31	27.4	15.0
CPV2180-12	1792	578	white/colour	134	length + valves		59	1488	5074	762	2598	1.31	32.9	18.0
CPV2180-14	1792	670	white/colour	134	length + valves		59	1736	5920	889	3032	1.31	38.3	21.0
CPV2180-16	1792	762	white/colour	134	length + valves		59	1984	6765	1016	3465	1.31	43.6	24.0
CPV3150-10	1500	486	white/colour	172	length + valves		78	1400	4774	717	2445	1.31	34.0	20.0
CPV3150-12	1500	578	white/colour	172	length + valves		78	1680	5729	860	2934	1.31	40.7	24.0
CPV3150-14	1500	670	white/colour	172	length + valves		78	1960	6684	1004	3423	1.31	47.4	28.0
CPV3150-16	1500	762	white/colour	172	length + valves		78	2240	7638	1147	3912	1.31	54.0	32.0
CPV3180-10	1800	486	white/colour	172	length + valves		78	1660	3956	588	2005	1.33	40.5	24.0
CPV3180-12	1800	578	white/colour	172	length + valves		78	1992	6793	1010	3443	1.33	48.5	28.8
CPV3180-14	1800	670	white/colour	172	length + valves		78	2324	7925	1178	4017	1.33	55.9	33.6
CPV3180-16	1800	762	white/colour	172	length + valves		78	2656	9057	1346	4591	1.33	63.8	38.4

*Nominal overall radiator Width = (Number of sections x 46mm) + 26mm. Please see page 82 for manufacturing tolerances.

Max. Working Pressure: 10 bar Test House: WSP-LAB
 Max. Working Temperature: 110°C Test House No: 2005

Zehnder Nobis

Stock Models													
Model code	Height mm	Width mm	Finish	Overall Projection mm	Pipe Centres mm		Outputs $\Delta T=50K$		Outputs $\Delta T=30K$		n Exponent	Weight kg	Water Content litres
					radiator	from wall	Watts	Btu	Watts	Btu			
NOB-100-050	965	500	chrome	97 to 109	50	76 to 88	210	717	109	372	1.28	9.0	2.0
NOB-150-050	1520	500	chrome	97 to 109	50	76 to 88	325	1109	167	570	1.30	14.0	3.2

Max. Working Pressure: 12 bar Test House: HLK STUTTGART
 Max. Working Temperature: 120°C Test House No: 0626

Zehnder Balmoral

Stock Models														
Model code	Height mm	Width mm	Finish	Overall Projection mm	Pipe Centres mm		Outputs $\Delta T=50K$		Outputs $\Delta T=30K$		n Exponent	Weight kg	Water Content litres	Immersion Rating
					radiator	from wall	Watts	Btu	Watts	Btu				

Zehnder Balmoral central heating

BALM CPHO	850	735	white/colour	250	488	100	683	2330	355	1211	1.3146	24	10	n/a
------------------	-----	-----	--------------	-----	-----	-----	-----	------	-----	------	--------	----	----	-----

Max. Working Pressure: 5 bar Test House: BSRIA
 Max. Working Temperature: 120°C Test House No: 0480

Zehnder Osbourne

Stock Models														
Model code	Height mm	Width mm	Finish	Overall Projection mm	Pipe Centres mm		Outputs $\Delta T=50K$		Outputs $\Delta T=30K$		n Exponent	Weight kg	Water Content litres	Immersion Rating
					radiator	from wall	Watts	Btu	Watts	Btu				
Zehnder Osbourne hot water														
OSBO CPHO	850	600	chrome	140	355	100	246	839	128	437	1.2318	10.0	3.0	n/a
Max. Working Pressure: 5 bar				Test House: BSRIA										
Max. Working Temperature: 120°C				Test House No: 0480										

Zehnder Buckingham

Stock Models														
Model code	Height mm	Width mm	Finish	Overall Projection mm	Pipe Centres mm		Outputs $\Delta T=50K$		Outputs $\Delta T=30K$		n Exponent	Weight kg	Water Content litres	Immersion Rating
					radiator	from wall	Watts	Btu	Watts	Btu				
Zehnder Buckingham hot water														
BUCK CPHO	750	500	chrome	120	425	50	175	597	91	310	1.2303	8.0	1.9	150
Max. Working Pressure: 5 bar				Test House: BSRIA										
Max. Working Temperature: 120°C				Test House No: 0480										

Zehnder Stellar

Stock Models														
Model code	Height mm	Width mm	Finish	Overall Projection mm	Pipe Centres mm		Outputs $\Delta T=50K$		Outputs $\Delta T=30K$		n Exponent	Weight kg	Water Content litres	Max. Immersion Rating
					radiator	from wall	Watts	Btu	Watts	Btu				
STNI-060-045	572	450	polished	90 to 100	420	75 to 85	159	541	84	287	1.24	3.3	2.0	100
STNI-060-100	572	1000	polished	90 to 100	970	75 to 85	284	970	152	519	1.22	5.8	3.6	200
STNI-080-030	788	300	polished	90 to 100	270	75 to 85	159	541	85	290	1.23	3.6	2.2	100
STNI-080-045	788	450	polished	90 to 100	420	75 to 85	206	702	109	372	1.24	4.5	2.8	150
STNI-080-060	788	600	polished	90 to 100	570	75 to 85	253	863	135	459	1.23	5.4	3.4	150
STNI-120-030	1220	300	polished	90 to 100	270	75 to 85	242	826	129	440	1.23	5.5	3.5	150
STNI-120-045	1220	450	polished	90 to 100	420	75 to 85	316	1078	166	567	1.26	6.9	4.3	150
STNI-120-060	1220	600	polished	90 to 100	570	75 to 85	391	1334	208	710	1.24	8.4	5.2	200
STNI-150-045	1508	450	polished	90 to 100	420	75 to 85	389	1327	206	703	1.24	8.5	5.1	300
STNI-150-060	1508	600	polished	90 to 100	570	75 to 85	491	1675	258	882	1.26	10.2	6.2	300
STNI-170-045	1724	450	polished	90 to 100	420	75 to 85	452	1542	241	822	1.23	10.0	6.1	300
STNI-170-060	1724	600	polished	90 to 100	570	75 to 85	545	1860	288	983	1.25	12.0	7.2	400
STNI-060-045-CF	572	450	painted	90 to 100	420	75 to 85	233	795	125	426	1.22	3.3	2.0	100
STNI-060-100-CF	572	1000	painted	90 to 100	970	75 to 85	430	1467	231	787	1.23	5.8	3.6	200
STNI-080-030-CF	788	300	painted	90 to 100	270	75 to 85	232	792	124	424	1.23	3.6	2.2	100
STNI-080-045-CF	788	450	painted	90 to 100	420	75 to 85	317	1082	170	580	1.22	4.5	2.8	150
STNI-080-060-CF	788	600	painted	90 to 100	570	75 to 85	395	1348	212	723	1.22	5.4	3.4	150
STNI-120-030-CF	1220	300	painted	90 to 100	270	75 to 85	353	1204	188	643	1.23	5.5	3.5	150
STNI-120-045-CF	1220	450	painted	90 to 100	420	75 to 85	482	1645	258	882	1.23	6.9	4.3	150
STNI-120-060-CF	1220	600	painted	90 to 100	570	75 to 85	600	2047	322	1098	1.22	8.4	5.2	200
STNI-150-045-CF	1508	450	painted	90 to 100	420	75 to 85	591	2016	315	1076	1.23	8.5	5.1	300
STNI-150-060-CF	1508	600	painted	90 to 100	570	75 to 85	736	2511	393	1340	1.23	10.2	6.2	300
STNI-170-045-CF	1724	450	painted	90 to 100	420	75 to 85	672	2293	359	1223	1.23	10.0	6.1	300
STNI-170-060-CF	1724	600	painted	90 to 100	570	75 to 85	838	2859	449	1533	1.23	12.0	7.2	400
Max. Working Pressure: 10 bar				Test House: HLK STUTTGART										
Max. Working Temperature: 120°C				Test House No: 0626										

Zehnder Quaro Spa

Stock Models														
Model code	Height mm	Width mm	Finish	Overall Projection mm	Pipe Centres mm		Outputs $\Delta T=50K$		Outputs $\Delta T=30K$		n Exponent	Weight kg	Water Content litres	Max. Immersion Rating
					radiator	from wall	Watts	Btu	Watts	Btu				
QSI-075-045	803	450	Stainless steel	90-100	418	75-85	222	757	116	396	1.27	7.1	3.7	150
QSI-120-045	1251	450	Stainless steel	90-100	418	75-85	330	1126	173	589	1.27	9.8	5.4	200
QSI-120-055	1251	550	Stainless steel	90-100	518	75-85	388	1324	204	694	1.26	11.6	6.2	300
QSI-150-045	1507	450	Stainless steel	90-100	418	75-85	393	1341	204	697	1.28	11.3	6.4	300
QSI-150-055	1507	550	Stainless steel	90-100	518	75-85	464	1583	241	823	1.28	13.4	7.3	300
QSI-180-055	1827	550	Stainless steel	90-100	518	75-85	569	1941	297	1013	1.27	16.1	8.9	400
Max. Working Pressure: 10 bar				Test House: WSP-LAB										
Max. Working Temperature: xxx°C				Test House No: 1428										

Zehnder Stellar Spa

Stock Models														
Model code	Height mm	Width mm	Finish	Overall Projection mm	Pipe Centres mm		Outputs $\Delta T=50K$		Outputs $\Delta T=30K$		n Exponent	Weight kg	Water Content litres	Max. Immersion Rating
					radiator	from wall	Watts	Btu	Watts	Btu				
STGI-060-045	572	450	polished	90 to 100	420	75 to 85	161	549	84	287	1.27	3.1	1.8	100
STGI-060-100	572	1000	polished	90 to 100	970	75 to 85	272	928	144	491	1.24	5.3	3.0	150
STGI-080-030	788	300	polished	90 to 100	270	75 to 85	171	583	89	304	1.28	3.4	2.0	100
STGI-080-045	788	450	polished	90 to 100	420	75 to 85	220	751	115	392	1.27	4.2	3.0	100
STGI-080-060	788	600	polished	90 to 100	570	75 to 85	243	829	128	435	1.26	5.0	3.2	150
STGI-120-030	1220	300	polished	90 to 100	270	75 to 85	240	819	125	427	1.28	5.2	3.1	150
STGI-120-045	1220	450	polished	90 to 100	420	75 to 85	309	1054	161	549	1.28	6.5	3.9	150
STGI-120-060	1220	600	polished	90 to 100	570	75 to 85	379	1293	197	672	1.28	7.7	4.6	200
STGI-150-045	1508	450	polished	90 to 100	420	75 to 85	361	1232	187	639	1.28	7.8	4.7	300
STGI-150-060	1508	600	polished	90 to 100	570	75 to 85	448	1529	233	795	1.28	9.3	5.6	300
STGI-170-045	1724	450	polished	90 to 100	420	75 to 85	434	1481	226	771	1.28	9.4	5.3	200
STGI-170-060	1724	600	polished	90 to 100	570	75 to 85	517	1764	270	921	1.27	11.2	6.5	300
STGI-060-045-CF	572	450	painted	90 to 100	420	75 to 85	219	747	117	401	1.23	3.1	1.8	100
STGI-060-100-CF	572	1000	painted	90 to 100	970	75 to 85	394	1344	211	721	1.23	5.3	3.0	150
STGI-080-030-CF	788	300	painted	90 to 100	270	75 to 85	218	744	117	399	1.23	3.4	2.0	100
STGI-080-045-CF	788	450	painted	90 to 100	420	75 to 85	294	1003	158	538	1.23	4.2	3.0	100
STGI-080-060-CF	788	600	painted	90 to 100	570	75 to 85	363	1239	194	661	1.23	5.0	3.2	150
STGI-120-030-CF	1220	300	painted	90 to 100	270	75 to 85	332	1133	177	604	1.23	5.2	3.1	150
STGI-120-045-CF	1220	450	painted	90 to 100	420	75 to 85	448	1529	239	815	1.24	6.5	3.9	150
STGI-120-060-CF	1220	600	painted	90 to 100	570	75 to 85	554	1890	294	1003	1.24	7.7	4.6	200
STGI-150-045-CF	1508	450	painted	90 to 100	420	75 to 85	556	1897	297	1012	1.24	7.8	4.7	300
STGI-150-060-CF	1508	600	painted	90 to 100	570	75 to 85	687	2344	367	1251	1.24	9.3	5.6	300
STGI-170-045-CF	1724	450	painted	90 to 100	420	75 to 85	640	2184	343	1171	1.23	9.4	5.3	200
STGI-170-060-CF	1724	600	painted	90 to 100	570	75 to 85	791	2699	422	1440	1.23	11.2	6.5	300

Max. Working Pressure: 10 bar Test House: HLK STUTTGART
 Max. Working Temperature: 120°C Test House No: 0626

Zehnder Subway Stainless Steel

Stock Models														
Model code	Height mm	Width mm	Finish	Overall Projection mm	Pipe Centres mm		Outputs $\Delta T=50K$		Outputs $\Delta T=30K$		n Exponent	Weight kg	Water Content litres	Max. Immersion Rating
					radiator	from wall	Watts	Btu	Watts	Btu				
SUBI-060-045	613	450	polished	70 to 80	50 or 418	55 to 65	221	754	116	396	1.27	5.1	2.3	150
SUBI-130-045	1261	450	polished	70 to 80	50 or 418	55 to 65	370	1262	193	659	1.27	8.7	4.5	200
SUBI-130-060	1261	600	polished	70 to 80	50 or 568	55 to 65	447	1525	235	802	1.26	10.4	5.4	300
SUBI-150-045	1549	450	polished	70 to 80	50 or 418	55 to 65	445	1518	233	795	1.27	10.4	5.4	300
SUBI-150-060	1549	600	polished	70 to 80	50 or 568	55 to 65	538	1836	283	966	1.26	12.4	7.2	300
SUBI-180-060	1837	600	polished	70 to 80	50 or 568	55 to 65	633	2160	334	1140	1.25	14.4	7.7	400

Max. Working Pressure: 10 bar Test House: HLK STUTTGART
 Max. Working Temperature: 120°C Test House No: 0626

Zehnder Cove

Stock Models														
Model code	Height mm	Width mm	Finish	Overall Projection mm	Pipe Centres mm		Outputs $\Delta T=50K$		Outputs $\Delta T=30K$		n Exponent	Weight kg	Water Content litres	Max. Immersion Rating
					radiator	from wall	Watts	Btu	Watts	Btu				
COVE-120-50	1180	500	brushed*	70 to 95	470	55 to 80	304	1037	158	539	1.28	10.3	3.6	200
COVE-120-60	1180	600	brushed*	70 to 95	570	55 to 80	351	1198	183	624	1.28	12.0	4.0	200
COVE-140-50	1360	500	brushed*	70 to 95	470	55 to 80	345	1177	178	607	1.3	11.6	4.1	200
COVE-140-60	1360	600	brushed*	70 to 95	570	55 to 80	402	1372	207	706	1.3	13.6	4.5	200

*brushed with polished trim
 Max. Working Pressure: 4 bar Test House: WSP-LAB
 Max. Working Temperature: 90°C Test House No: 1428

Zehnder Keel Asym

Stock Models														
Model code	Height mm	Width mm	Finish	Overall Projection mm	Pipe Centres mm		Outputs $\Delta T=50K$		Outputs $\Delta T=30K$		n Exponent	Weight kg	Water Content litres	Max. Immersion Rating
					radiator	from wall	Watts	Btu	Watts	Btu				
KEEL-A-120-50	1190	500	brushed*	65 to 100	50	35 to 70	307	1047	158	539	1.30	12.4	4.6	200
KEEL-A-140-50	1400	500	brushed*	65 to 100	50	35 to 70	357	1218	180	614	1.34	14.5	5.1	200
KEEL-AP-120-50	1190	500	polished	65 to 100	50	35 to 70	276	942	142	485	1.30	12.4	4.6	200
KEEL-AP-140-50	1400	500	polished	65 to 100	50	35 to 70	321	1096	162	553	1.34	14.5	5.1	200

*Brushed with polished trim

Max. Working Pressure: 4 bar Test House: WSP-LAB
 Max. Working Temperature: 90°C Test House No: 1428

Zehnder Bay

Stock Models														
Model code	Height mm	Width mm	Finish	Overall Projection mm	Pipe Centres mm	Pipe Centres mm		Outputs $\Delta T=50K$		Outputs $\Delta T=30K$		n Exponent	Weight kg	Water Content litres
					vertical entry	radiator	from wall	Watts	Btu	Watts	Btu			
Zehnder Bay vertical (brushed steel finish)														
BAY-100-053	1000	530	brushed steel	70 to 95	480	530*	55-80	421	1436	209	713	1.37	15.3	13.50
BAY-120-047	1200	470	brushed steel	70 to 95	420	470*	55-80	458	1563	227	775	1.37	16	13.60
BAY-120-053	1200	530	brushed steel	70 to 95	480	530*	55-80	516	1761	256	873	1.37	18	15.3
BAY-150-029	1500	290	brushed steel	70 to 95	240	290*	55-80	365	1245	180	614	1.38	12.5	10.5
BAY-170-029	1700	290	brushed steel	70 to 95	240	290*	55-80	412	1406	203	693	1.39	14	12
BAY-170-047	1700	470	brushed steel	70 to 95	420	470*	55-80	659	2249	324	1105	1.39	22.4	19.2
BAY-170-053	1700	530	brushed steel	70 to 95	480	530*	55-80	742	2532	365	1245	1.39	25.2	21.6
BAYF-170-029	1700	290	brushed steel	70 to 95	240	290*	55-80	520	1774	256	873	1.39	17.2	12
BAYF-170-047	1700	470	brushed steel	70 to 95	420	470*	55-80	832	2839	409	1396	1.39	30.4	19.2
BAYF-170-053	1700	530	brushed steel	70 to 95	480	530*	55-80	936	3194	460	1570	1.39	34.2	21.6
Zehnder Bay horizontal (brushed steel finish)														
BAY-100-053	530	1000	brushed steel	70 to 95	930	1000*	55-80	421	1436	209	713	1.37	15.3	13.50
BAY-120-047	470	1200	brushed steel	70 to 95	420	470*	55-80	458	1563	227	775	1.37	16	13.60
BAY-120-053	530	1200	brushed steel	70 to 95	1130	1200*	55-80	516	1761	256	873	1.37	18	15.3
BAY-150-029	290	1500	brushed steel	70 to 95	1430	1500*	55-80	365	1245	180	614	1.38	12.5	10.5
BAY-170-029	290	1700	brushed steel	70 to 95	1630	1700*	55-80	412	1406	203	693	1.39	14	12
BAY-170-047	470	1700	brushed steel	70 to 95	1630	1700*	55-80	659	2249	324	1105	1.39	22.4	19.2
BAY-170-053	530	1700	brushed steel	70 to 95	1630	1700*	55-80	742	2532	365	1245	1.39	25.2	21.6

*plus valves

Max. Working Pressure: 4 bar Test House: WSP-LAB
 Max. Working Temperature: 90°C Test House No: 1428

Zehnder Stana

Stock Models											
Model code	Height mm	Width mm	Depth (mm)	Finish	Overall projection (mm)	Outputs $\Delta T=50K$		Outputs $\Delta T=30K$		Weight kg	Water Content litres
						Watts	Btu	Watts	Btu		
STN-015-014-100	250	1000	140	9016	140	625	2133	304	1037	11.7	1
STN-015-014-120	250	1200	140	9016	140	750	2559	365	1245	14	1.3
STN-015-014-140	250	1400	140	9016	140	875	2986	425	1450	16.4	1.6
STN-015-014-150	250	1500	140	9016	140	938	3200	456	1556	17.6	1.7
STN-015-014-160	250	1600	140	9016	140	1000	3412	486	1658	18.7	1.8
STN-015-014-200	250	2000	140	9016	140	1250	4265	608	2074	23.4	2.3
STN-015-020-100	250	1000	200	9016	200	993	3388	474	1617	14.2	1.7
STN-015-020-120	250	1200	200	9016	200	1192	4067	569	1941	17	2.1
STN-015-020-140	250	1400	200	9016	200	1390	4743	664	2266	19.9	2.5
STN-015-020-150	250	1500	200	9016	200	1490	5084	711	2426	21.3	2.7
STN-015-020-160	250	1600	200	9016	200	1589	5422	758	2586	22.7	2.9
STN-015-020-200	250	2000	200	9016	200	1986	6776	948	3235	28.4	3.8

Max. Working Pressure: 10 bar Test House: WSP-LAB
 Max. Working Temperature: xxx°C Test House No: 1428

Zehnder Charleston

Stock Models													
Model code	Height mm	Width mm	Finish	Overall Projection mm	Pipe Centres mm		Outputs $\Delta T=50K$		Outputs $\Delta T=30K$		n Exponent	Weight kg	Water Content litres
					radiator	from wall	Watts	Btu	Watts	Btu			
Vertical													
2180-6	1800	302	white/colour	90	length plus valves*	59	744	2539	381	1300	1.31	16.4	9.0
2180-8	1800	394	white/colour	90	length plus valves*	59	992	3385	508	1733	1.31	21.9	12.0
2180-10	1800	486	white/colour	90	length plus valves*	59	1240	4231	635	2167	1.31	27.3	15.0
2180-12	1800	578	white/colour	90	length plus valves*	59	1488	5077	762	2600	1.31	32.8	18.0
3180-6	1800	302	white/colour	128	length plus valves*	78	996	3398	510	1740	1.31	24.6	14.0
3180-8	1800	394	white/colour	128	length plus valves*	78	1328	4531	680	2320	1.31	32.8	19.0
3180-10	1800	486	white/colour	128	length plus valves*	78	1660	5664	850	2900	1.31	41.0	24.0
Horizontal													
2050-10	500	490	white/colour	90	length plus valves*	59	384	1310	203	693	1.25	7.9	5.0
2050-14	500	674	white/colour	90	length plus valves*	59	538	1836	284	969	1.25	11.0	7.0
2050-18	500	858	white/colour	90	length plus valves*	59	691	2358	365	1245	1.25	14.2	9.0
2050-22	500	1042	white/colour	90	length plus valves*	59	845	2883	446	1522	1.25	17.4	11.0
2050-26	500	1226	white/colour	90	length plus valves*	59	998	3405	527	1798	1.25	20.5	13.0
2060-10	600	490	white/colour	90	length plus valves*	59	453	1546	239	815	1.25	9.5	6.0
2060-14	600	674	white/colour	90	length plus valves*	59	634	2163	335	1143	1.25	13.3	8.4
2060-18	600	858	white/colour	90	length plus valves*	59	815	2781	430	1467	1.25	17.1	10.8
2060-22	600	1042	white/colour	90	length plus valves*	59	997	3402	527	1798	1.25	20.9	13.2
2060-24	600	1134	white/colour	90	length plus valves*	59	1080	3685	570	1945	1.25	22.8	14.4
2060-28	600	1318	white/colour	90	length plus valves*	59	1260	4299	665	2269	1.25	26.6	16.8
3050-14	500	674	white/colour	128	length plus valves*	78	722	2463	381	1300	1.25	16.6	11.2
3050-18	500	858	white/colour	128	length plus valves*	78	929	3170	491	1675	1.25	21.4	14.4
3050-22	500	1042	white/colour	128	length plus valves*	78	1135	3873	599	2044	1.25	26.2	17.6
3050-26	500	1226	white/colour	128	length plus valves*	78	1342	4579	709	2419	1.25	30.9	20.8
3050-30	500	1410	white/colour	128	length plus valves*	78	1548	5282	817	2788	1.25	35.7	24.0
3060-10	600	490	white/colour	128	length plus valves*	78	609	2078	320	1092	1.26	13.9	9.0
3060-14	600	674	white/colour	128	length plus valves*	78	853	2910	448	1529	1.26	19.4	12.6
3060-18	600	858	white/colour	128	length plus valves*	78	1096	3740	576	1965	1.26	24.9	16.2
3060-20	600	950	white/colour	128	length plus valves*	78	1220	4163	641	2187	1.26	27.7	18.0
3060-24	600	1134	white/colour	128	length plus valves*	78	1464	4995	769	2624	1.26	33.2	21.6
3060-27	600	1272	white/colour	128	length plus valves*	78	1645	5613	864	2948	1.26	37.3	24.3
3060-30	600	1410	white/colour	128	length plus valves*	78	1827	6234	960	3276	1.26	41.6	27.0
3060-34	600	1594	white/colour	128	length plus valves*	78	2071	7066	1088	3712	1.26	47.0	30.6
3075-14	750	674	white/colour	128	length plus valves*	78	1040	3548	546	1863	1.26	24.3	15.4
3075-22	750	1042	white/colour	128	length plus valves*	78	1635	5579	859	2931	1.26	38.2	24.2
3075-26	750	1226	white/colour	128	length plus valves*	78	1932	6592	1015	3463	1.26	45.1	28.6
4030-20	300	950	white/colour	164	length plus valves*	96	840	2866	444	1515	1.25	21.3	14.0
4030-30	300	1410	white/colour	164	length plus valves*	96	1260	4299	665	2269	1.25	32.0	21.0
4060-14	600	674	white/colour	164	length plus valves*	96	1117	3811	584	1993	1.27	27.3	16.8
4060-18	600	858	white/colour	164	length plus valves*	96	1436	4900	751	2562	1.27	35.1	21.6
4060-20	600	950	white/colour	164	length plus valves*	96	1600	5459	836	2852	1.27	39.0	24.0
4060-24	600	1134	white/colour	164	length plus valves*	96	1920	6551	1004	3426	1.27	46.8	28.8
4075-14	750	674	white/colour	164	length plus valves*	96	1364	4654	713	2433	1.27	33.6	19.6
4075-18	750	858	white/colour	164	length plus valves*	96	1753	5981	916	3125	1.27	43.2	25.2
4075-22	750	1042	white/colour	164	length plus valves*	96	2143	7312	1120	3821	1.27	52.8	30.8
4075-26	750	1226	white/colour	164	length plus valves*	96	2532	8639	1323	4514	1.27	62.5	36.4

*Nominal overall radiator length = (Number of sections x 46mm) + 26mm. Please see page 82 for manufacturing tolerances.

Max. Working Pressure: 10 bar Test House: WSP-LAB
 Max. Working Temperature: 110°C Test House No: 2005

Zehnder Charleston

Made to Measure Options												
Model code	Height mm	Finish	Overall Projection mm	Pipe Centres mm		Outputs ΔT=50K		Outputs ΔT=30K		n Exponent	Weight kg	Water Content litres
				radiator	from wall	Watts	Btu	Watts	Btu			
2 column												
2030	292	white/colour	90	length + valves*	59	23.6	80.52	12.5	42.65	1.24	0.5	0.4
2040	392	white/colour	90	length + valves*	59	31.2	106.45	16.6	56.64	1.24	0.6	0.4
2045	442	white/colour	90	length + valves*	59	34.9	119.08	18.5	63.12	1.24	0.7	0.5
2050	492	white/colour	90	length + valves*	59	38.4	131.02	20.3	69.26	1.25	0.8	0.5
2055	542	white/colour	90	length + valves*	59	41.9	142.96	22.1	75.41	1.25	0.9	0.6
2060	592	white/colour	90	length + valves*	59	45.3	154.56	23.9	81.55	1.25	1.0	0.6
2075	742	white/colour	90	length + valves*	59	55	187.66	29	98.95	1.25	1.2	0.7
2090	892	white/colour	90	length + valves*	59	63.9	218.03	33.7	114.98	1.25	1.4	0.8
2100	992	white/colour	90	length + valves*	59	69.5	237.13	36.7	125.22	1.25	1.6	0.9
2120	1192	white/colour	90	length + valves*	59	82.7	282.17	43.5	148.42	1.26	1.9	1.1
2150	1492	white/colour	90	length + valves*	59	104	354.85	54.1	184.59	1.28	2.3	1.3
2180	1792	white/colour	90	length + valves*	59	124	423.09	63.5	216.66	1.31	2.7	1.5
2200	1992	white/colour	90	length + valves*	59	138	470.86	70.7	241.23	1.31	3.0	1.7
3 column												
3030	300	white/colour	128	length + valves*	78	32	109.18	16.9	57.66	1.25	0.7	0.6
3035	350	white/colour	128	length + valves*	78	37	126.24	19.5	66.53	1.25	0.9	0.6
3040	400	white/colour	128	length + valves*	78	41.9	142.96	22.1	75.41	1.25	1.0	0.7
3045	450	white/colour	128	length + valves*	78	46.8	159.68	24.7	84.28	1.25	1.1	0.7
3050	500	white/colour	128	length + valves*	78	51.6	176.06	27.2	92.81	1.25	1.2	0.8
3055	550	white/colour	128	length + valves*	78	56.3	192.10	29.6	101.00	1.26	1.3	0.9
3060	600	white/colour	128	length + valves*	78	60.9	207.79	32	109.18	1.26	1.4	0.9
3075	750	white/colour	128	length + valves*	78	74.3	253.51	39	133.07	1.26	1.7	1.1
3090	900	white/colour	128	length + valves*	78	87	296.84	45.5	155.25	1.27	2.1	1.3
3100	1000	white/colour	128	length + valves*	78	95.1	324.48	49.7	169.58	1.27	2.3	1.4
3120	1200	white/colour	128	length + valves*	78	115	392.38	59.5	203.01	1.29	2.8	1.6
3150	1500	white/colour	128	length + valves*	78	140	477.68	71.7	244.64	1.31	3.4	2.0
3180	1800	white/colour	128	length + valves*	78	166	566.39	84.1	286.95	1.33	4.1	2.4
3200	2000	white/colour	128	length + valves*	78	183	624.40	92.8	316.63	1.33	4.5	2.6
4 column												
4030	300	white/colour	164	length + valves*	96	41.9	142.96	22.1	75.41	1.25	1.0	0.7
4035	350	white/colour	164	length + valves*	96	48.5	165.48	25.6	87.35	1.25	1.2	0.8
4040	400	white/colour	164	length + valves*	96	54.9	187.32	28.8	98.27	1.26	1.4	0.9
4045	450	white/colour	164	length + valves*	96	61.3	209.16	32.2	109.87	1.26	1.5	1.0
4050	500	white/colour	164	length + valves*	96	67.6	230.65	35.5	121.13	1.26	1.7	1.0
4055	550	white/colour	164	length + valves*	96	73.7	251.46	38.7	132.04	1.26	1.9	1.1
4060	600	white/colour	164	length + valves*	96	79.8	272.28	41.7	142.28	1.27	2.0	1.2
4075	750	white/colour	164	length + valves*	96	97.4	332.33	50.9	173.67	1.27	2.5	1.4
4090	900	white/colour	164	length + valves*	96	114	388.97	59.3	202.33	1.28	2.9	1.7
4100	1000	white/colour	164	length + valves*	96	125	426.50	64.7	220.76	1.29	3.2	1.8
4120	1200	white/colour	164	length + valves*	96	147	501.56	75.7	258.29	1.30	3.7	2.1
4150	1500	white/colour	164	length + valves*	96	180	614.16	92.2	314.59	1.31	4.4	2.6
4180	1800	white/colour	164	length + valves*	96	213	726.76	108	368.50	1.33	5.2	3.1
4200	2000	white/colour	164	length + valves*	96	234	798.41	119.2	406.71	1.32	5.8	3.4
5 column												
5030	300	white/colour	202	length + valves*	115	51.7	176.40	27.3	93.15	1.25	1.3	0.9
5040	400	white/colour	202	length + valves*	115	67.9	231.67	35.7	121.81	1.26	1.7	1.1
5045	450	white/colour	202	length + valves*	115	75.8	258.63	39.8	135.80	1.26	1.9	1.2
5050	500	white/colour	202	length + valves*	115	83.5	284.90	43.6	148.76	1.27	2.1	1.3
5055	550	white/colour	202	length + valves*	115	91.1	310.83	47.6	162.41	1.27	2.3	1.4
5060	600	white/colour	202	length + valves*	115	98.6	336.42	51.5	175.72	1.27	2.5	1.5
5075	750	white/colour	202	length + valves*	115	120	409.44	62.1	211.89	1.29	3.1	1.8
5090	900	white/colour	202	length + valves*	115	141	481.09	72.6	247.71	1.30	3.6	2.1
5100	1000	white/colour	202	length + valves*	115	154	525.45	79.3	270.57	1.30	3.9	2.3
5120	1200	white/colour	202	length + valves*	115	179	610.75	91.7	312.88	1.31	4.6	2.7
5150	1500	white/colour	202	length + valves*	115	219	747.23	111.6	380.78	1.32	5.6	3.3
6 column												
6030	300	white/colour	238	length + valves*	115	61.3	209.16	32.2	109.87	1.26	1.6	1.1
6035	350	white/colour	238	length + valves*	115	71	242.25	37.3	127.27	1.26	1.8	1.2
6040	400	white/colour	238	length + valves*	115	80.5	274.67	42.1	143.65	1.27	2.0	1.3
6045	450	white/colour	238	length + valves*	115	89.8	306.40	46.9	160.02	1.27	2.2	1.4
6050	500	white/colour	238	length + valves*	115	99	337.79	51.5	175.72	1.28	2.4	1.5
6055	550	white/colour	238	length + valves*	115	108	368.50	56.2	191.75	1.28	2.7	1.6
6060	600	white/colour	238	length + valves*	115	117	399.20	60.5	206.43	1.29	2.9	1.8
6075	750	white/colour	238	length + valves*	115	143	487.92	73.6	251.12	1.30	3.5	2.1
6090	900	white/colour	238	length + valves*	115	167	569.80	85.5	291.73	1.31	4.2	2.5
6100	1000	white/colour	238	length + valves*	115	183	624.40	93.7	319.70	1.31	4.6	2.7
6120	1200	white/colour	238	length + valves*	115	210	716.52	107	365.08	1.32	5.5	3.2
6150	1500	white/colour	238	length + valves*	115	256	873.47	130.4	444.92	1.32	6.8	4.0

*Nominal overall radiator length = (Number of sections x 46mm) + 26mm. Please see page 82 for manufacturing tolerances.

Vertical entry = overall length minus 72mm

Max. Working Pressure: 4 bar Test House: WSP-LAB
 Max. Working Temperature: 110°C Test House No: 1428

Zehnder Charleston Mirror

Stock Models													
Model code	Height mm	Width mm	Finish	Overall Projection mm	Pipe Centres mm		Outputs ΔT=50K		Outputs ΔT=30K		n Exponent	Weight kg	Water Content litres
					radiator	from wall	Watts	Btu	Watts	Btu			
CM2180-12	1792	578	white	126	50	74	1401	4780	762	2600	1.31	33.6	18
CM2180-16	1792	762	white	126	50	74	1792	6114	1016	3467	1.31	44.8	24

*Nominal overall radiator length = (Number of sections x 46mm) + 26mm. Please see page 82 for manufacturing tolerances.

Max. Working Pressure: 10 bar Test House: WSP-LAB
 Max. Working Temperature: 110°C Test House No: 1428

Zehnder Charleston Relax

Stock Models													
Model code	Height mm	Width mm	Finish	Overall Projection mm	Pipe Centres mm		Outputs ΔT=50K		Outputs ΔT=30K		n Exponent	Weight kg	Water Content litres
					radiator	from wall	Watts	Btu	Watts	Btu			
CR5026-13	455	800	white	320	50	195	543	1852	287	979	1.25	18.6	10.4
CR5026-18	455	1000	white	320	50	195	747	2549	395	1348	1.25	25.1	14.4

Max. Working Pressure: 10 bar Test House: WSP-LAB
 Max. Working Temperature: 110°C Test House No: 1428

Zehnder Metropolitan

Stock Models													
Model code	Height mm	Width mm	Finish	Overall Projection mm	Pipe Centres mm		Outputs ΔT=50K		Outputs ΔT=30K		n Exponent	Weight kg	Water Content litres
					radiator	from wall	Watts	Btu	Watts	Btu			
Zehnder Metropolitan horizontal													
MEH-030-140	280	1400	white/colour	79 to 89	50 or 1320	60 to 70	376	1283	198	676	1.26	8.31	4.50
MEH-040-140	385	1400	white/colour	79 to 89	50 or 1320	60 to 70	474	1617	243	829	1.31	10.30	5.29
MEH-040-160	385	1600	white/colour	79 to 89	50 or 1520	60 to 70	542	1849	278	949	1.31	11.70	5.96
MEH-050-140	490	1400	white/colour	79 to 89	50 or 1320	60 to 70	585	1996	300	1024	1.31	12.80	5.99
MEH-050-160	490	1600	white/colour	79 to 89	50 or 1520	60 to 70	669	2283	343	1170	1.31	14.60	6.73
MEH-050-180	490	1800	white/colour	79 to 89	50 or 1720	60 to 70	753	2569	386	1317	1.31	16.30	7.47
MEH-060-090	595	900	white/colour	79 to 89	50 or 820	60 to 70	447	1525	230	785	1.30	10.10	4.67
MEH-060-140	595	1400	white/colour	79 to 89	50 or 1320	60 to 70	695	2371	358	1221	1.30	15.30	6.69
MEH-060-160	595	1600	white/colour	79 to 89	50 or 1520	60 to 70	794	2709	409	1396	1.30	17.40	7.49
MEH-060-180	595	1800	white/colour	79 to 89	50 or 1720	60 to 70	894	3050	460	1570	1.30	19.50	8.30
MEH-060-200	595	2000	white/colour	79 to 89	50 or 1920	60 to 70	993	3388	511	1744	1.30	21.60	9.10
MEH-080-050	805	500	white/colour	79 to 89	50 or 420	60 to 70	387	1320	200	682	1.29	8.20	3.96
MEH-080-060	805	600	white/colour	79 to 89	50 or 520	60 to 70	449	1532	232	792	1.29	9.70	4.41
MEH-120-040	1225	400	white/colour	79 to 89	50 or 320	60 to 70	469	1600	244	833	1.28	10.30	4.90
MEH-120-050	1225	500	white/colour	79 to 89	50 or 420	60 to 70	563	1921	293	1000	1.28	12.40	5.50
MEH-120-060	1225	600	white/colour	79 to 89	50 or 520	60 to 70	653	2228	340	1160	1.28	14.50	6.10
MEH-150-040	1540	400	white/colour	79 to 89	50 or 320	60 to 70	582	1986	312	1065	1.22	12.00	5.51
MEH-150-050	1540	500	white/colour	79 to 89	50 or 420	60 to 70	730	2491	389	1327	1.23	14.40	6.25
MEH-150-060	1540	600	white/colour	79 to 89	50 or 520	60 to 70	871	2972	465	1587	1.23	16.80	6.98
MEH-180-040	1750	400	white/colour	79 to 89	50 or 320	60 to 70	663	2262	343	1170	1.29	14.40	6.73
MEH-180-050	1750	500	white/colour	79 to 89	50 or 420	60 to 70	795	2713	411	1402	1.29	17.40	7.63
Zehnder Metropolitan vertical													
MEV-180-030	1800	280	white/colour	79 to 89	50 or 200	60 to 70	490	1672	256	873	1.27	11.30	5.8
MEV-180-040	1800	385	white/colour	79 to 89	50 or 305	60 to 70	643	2194	336	1146	1.27	14.60	6.64
MEV-180-050	1800	490	white/colour	79 to 89	50 or 410	60 to 70	791	2699	413	1409	1.27	17.90	7.47
MEV-180-060	1800	595	white/colour	79 to 89	50 or 515	60 to 70	934	3187	486	1658	1.26	21.3	8.3
MEV-200-040	2000	385	white/colour	79 to 89	50 or 305	60 to 70	714	2436	375	1280	1.26	16.10	7.31
MEV-200-050	2000	490	white/colour	79 to 89	50 or 410	60 to 70	878	2996	461	1573	1.26	19.80	8.21
MEV-200-060	2000	595	white/colour	79 to 89	50 or 515	60 to 70	1037	3538	545	1860	1.26	23.50	9.1

Max. Working Pressure: 4 bar Test House: HLK STUTTGART
 Max. Working Temperature: 120°C Test House No: 0626

Zehnder Roda

Stock Models													
Model code	Height mm	Width mm	Finish	Overall Projection mm	Pipe Centres mm		Outputs $\Delta T=50K$		Outputs $\Delta T=30K$		n Exponent	Weight kg	Water Content litres
					radiator	from wall	Watts	Btu	Watts	Btu			
Zehnder Roda vertical single panel													
ROV-180-029	1800	296	white/colour	70	247	42	568	1940	291	993	1.31	12	4.6
ROV-180-037	1800	370	white/colour	70	321	42	710	2425	364	1242	1.31	15	5.75
ROV-180-044	1800	444	white/colour	70	395	42	852	2910	436	1488	1.31	18	6.9
ROV-180-051	1800	518	white/colour	70	469	42	994	3395	509	1737	1.31	21	8.05
ROV-180-059	1800	592	white/colour	70	543	42	1136	3880	582	1986	1.31	24	9.2
ROV-180-066	1800	666	white/colour	70	617	42	1278	4365	654	2231	1.31	27	10.35
Zehnder Roda vertical double panel													
ROVD-180-029	1800	296	white/colour	93	247	66	824	2812	420	1433	1.32	22.4	8.6
ROVD-180-037	1800	370	white/colour	93	321	66	1030	3515	525	1791	1.32	28	10.75
ROVD-180-044	1800	444	white/colour	93	395	66	1236	4218	630	2150	1.32	33.6	12.9
ROVD-180-051	1800	518	white/colour	93	469	66	1442	4921	735	2508	1.32	39.2	15.05
ROVD-180-059	1800	592	white/colour	93	543	66	1648	5624	840	2866	1.32	44.8	17.2
ROVD-180-066	1800	666	white/colour	93	617	66	1854	6327	945	3224	1.32	50.4	19.35
Zehnder Roda horizontal single panel													
ROH-044-140	444	1400	white/colour	70	1332	42	708	2416	368	1256	1.28	16.4	5.88
ROH-051-100	518	1000	white/colour	70	932	42	586	1999	305	1041	1.28	13.4	4.9
ROH-051-120	518	1200	white/colour	70	1132	42	703	2399	366	1249	1.28	16.1	5.88
ROH-059-100	592	1000	white/colour	70	932	42	665	2269	346	1181	1.28	14.1	5.6
ROH-059-120	592	1200	white/colour	70	1132	42	798	2723	415	1416	1.28	18.1	6.72
ROH-059-140	592	1400	white/colour	70	1332	42	931	3177	484	1651	1.28	19.7	7.84
Zehnder Roda horizontal single panel with single convector fin													
ROHL-059-060	592	600	white/colour	92	532	62	636	2170	334	1140	1.26	13.2	3.36
ROHL-059-080	592	800	white/colour	92	732	62	848	2894	446	1522	1.26	17.6	4.48
ROHL-059-100	592	1000	white/colour	92	932	62	1060	3617	557	1900	1.26	22	5.6
ROHL-059-120	592	1200	white/colour	92	1132	62	1272	4340	668	2279	1.26	26.4	6.72
Zehnder Roda horizontal double panel													
ROHD-059-060	592	600	white/colour	93	532	66	641	2187	337	1150	1.26	16.5	6.04
ROHD-059-080	592	800	white/colour	93	732	66	855	2916	449	1532	1.26	22	8.05
ROHD-059-100	592	1000	white/colour	93	932	66	1069	3645	562	1918	1.26	27.4	10.06
ROHD-059-120	592	1200	white/colour	93	1132	66	1283	4374	674	2300	1.26	32.9	12.07
Max. Working Pressure: 4 bar				Test House: CETIAT									
Max. Working Temperature: 110°C				Test House No: 1623									

Zehnder Roda

Made to Measure Options													
Model code	Height mm	Finish	Overall Projection mm	Pipe Centres mm		Outputs $\Delta T=50K$		Outputs $\Delta T=30K$		n Exponent	Weight kg	Water Content litres	
				radiator	from wall	Watts	Btu	Watts	Btu				
Zehnder Roda ROV single, data per vertical tube													
ROV 060	600	white/colour	70	42	length minus 49	52	177	26	89	1.30	1.3	0.5	
ROV 080	800	white/colour	70	42	length minus 49	68	232	34	116	1.55	1.6	0.6	
ROV 100	1000	white/colour	70	42	length minus 49	83	283	42	143	1.32	1.9	0.7	
ROV 120	1200	white/colour	70	42	length minus 49	98	334	50	171	1.32	2.1	0.8	
ROV 140	1400	white/colour	70	42	length minus 49	113	386	58	198	1.31	2.4	0.9	
ROV 160	1600	white/colour	70	42	length minus 49	127	433	65	222	1.31	2.7	1.0	
ROV 180	1800	white/colour	70	42	length minus 49	142	485	73	249	1.31	3.0	1.2	
ROV 200	2000	white/colour	70	42	length minus 49	155	529	80	273	1.31	3.3	1.3	
ROV 220	2200	white/colour	70	42	length minus 49	169	577	87	297	1.31	3.6	1.4	
Zehnder Roda ROVD double, data per vertical tube													
ROVD 060	600	white/colour	93	66	length minus 49	77	263	39	133	1.33	2.1	0.8	
ROVD 080	800	white/colour	93	66	length minus 49	100	341	51	174	1.33	2.7	1.0	
ROVD 100	1000	white/colour	93	66	length minus 49	122	416	62	212	1.33	3.3	1.3	
ROVD 120	1200	white/colour	93	66	length minus 49	144	491	73	249	1.33	3.9	1.5	
ROVD 140	1400	white/colour	93	66	length minus 49	165	563	84	287	1.33	4.4	1.7	
ROVD 160	1600	white/colour	93	66	length minus 49	186	635	95	324	1.32	5.0	1.9	
ROVD 180	1800	white/colour	93	66	length minus 49	206	703	105	358	1.32	5.6	2.2	
ROVD 200	2000	white/colour	93	66	length minus 49	225	768	115	392	1.32	6.2	2.4	
ROVD 220	2200	white/colour	93	66	length minus 49	244	833	124	423	1.32	6.7	2.6	
To calculate the number of tubes required, allow 74mm per tube													
Max. Working Pressure: 4 bar				Test House: CETIAT									
Max. Working Temperature: 110°C				Test House No: 1623									

Zehnder Roda

Made to Measure Options												
Model code	Height mm	Finish	Overall Projection mm	Pipe Centres mm		Outputs $\Delta T=50K$		Outputs $\Delta T=30K$		n Exponent	Weight kg	Water Content litres
				radiator	from wall	Watts	Btu	Watts	Btu			
Zehnder Roda ROH single, data per linear metre												
ROH 4 tubes	296	white/colour	70	42	length minus 68	344	1174	179	611	1.28	7.2	2.80
ROH 5 tubes	370	white/colour	70	42	length minus 68	425	1450	221	754	1.28	9.0	3.50
ROH 6 tubes	444	white/colour	70	42	length minus 68	506	1726	264	901	1.28	10.7	4.20
ROH 7 tubes	518	white/colour	70	42	length minus 68	586	1999	305	1041	1.28	12.4	4.90
ROH 8 tubes	592	white/colour	70	42	length minus 68	665	2269	347	1184	1.28	14.1	5.60
ROH 9 tubes	666	white/colour	70	42	length minus 68	744	2537	387	1320	1.28	16.0	6.3
ROH 10 tubes	740	white/colour	70	42	length minus 68	823	2806	428	1459	1.28	17.8	7.0
Zehnder Roda ROHL single with convactor fins, data per linear metre												
ROHL 2 tubes	148	white/colour	92	62	length minus 68	350	1194	195	665	1.15	7.0	1.40
ROHL 3 tubes	222	white/colour	92	62	length minus 68	511	1744	268	914	1.26	10.7	2.10
ROHL 4 tubes	296	white/colour	92	62	length minus 68	637	2173	334	1140	1.27	14.3	2.80
ROHL 5 tubes	370	white/colour	92	62	length minus 68	719	2453	374	1276	1.28	16.1	3.50
ROHL 6 tubes	444	white/colour	92	62	length minus 68	845	2883	448	1529	1.24	18.7	4.20
ROHL 7 tubes	518	white/colour	92	62	length minus 68	927	3163	492	1679	1.24	19.5	4.90
ROHL 8 tubes	592	white/colour	92	62	length minus 68	1060	3617	558	1904	1.26	23.6	5.60
ROHL 9 tubes	666	white/colour	92	62	length minus 68	1157	3945	608	2073	1.26	24.7	6.3
ROHL 10 tubes	740	white/colour	92	62	length minus 68	1237	4218	650	2217	1.26	26.5	7.0
Max. Working Pressure: 4 bar			Test House: CETIAT									
Max. Working Temperature: 110°C			Test House No: 1623									

Zehnder Roda Mirror

Stock Models													
Model code	Height mm	Width mm	Finish	Overall Projection mm	Pipe Centres mm		Outputs $\Delta T=50K$		Outputs $\Delta T=30K$		n Exponent	Weight kg	Water Content litres
					radiator	from wall	Watts	Btu	Watts	Btu			
ROM-180-067	1800	666	white/colour	70	617	42	680	2320	348	1187	1.31	24.6	6.3
ROM-180-081	1800	814	white/colour	70	765	42	952	3248	488	1665	1.31	31.0	8.6
ROMD-180-067	1800	666	white/colour	93	617	66	1355	4623	690	2354	1.32	51.6	15.4
ROMD-180-081	1800	814	white/colour	93	765	66	1527	5210	778	2655	1.32	64.0	19.7
Max. Working Pressure: 4 bar			Test House: CETIAT										
Max. Working Temperature: 110°C			Test House No: 1623										

Zehnder Ax

Made to Measure Options												
Model code	Height mm	Finish	Overall Projection mm	Pipe Centres mm		Outputs $\Delta T=50K$		Outputs $\Delta T=30K$		n Exponent	Weight kg	Water Content litres
				radiator	from wall	Watts	Btu	Watts	Btu			
Zehnder Ax ZA single, data per vertical tube												
ZA-060	600	white/colour	49	76	length minus 49mm	33.0	112.6	17.0	58.0	1.28	0.6	0.14
ZA-080	800	white/colour	49	76	length minus 49mm	42.0	143.3	22.0	75.1	1.29	0.8	0.16
ZA-100	1000	white/colour	49	76	length minus 49mm	51.0	174.0	27.0	92.1	1.29	1.0	0.96
ZA-120	1200	white/colour	49	76	length minus 49mm	60.0	204.7	31.0	105.8	1.30	1.1	1.12
ZA-140	1400	white/colour	49	76	length minus 49mm	70.0	238.8	36.0	122.8	1.30	1.3	1.29
ZA-160	1600	white/colour	49	76	length minus 49mm	79.0	269.5	40.0	136.5	1.31	1.5	1.45
ZA-180	1800	white/colour	49	76	length minus 49mm	88.0	300.3	45.0	153.5	1.31	1.2	1.61
ZA-200	2000	white/colour	49	76	length minus 49mm	98.0	334.4	50.0	170.6	1.32	1.8	1.78
ZA-220	2200	white/colour	49	76	length minus 49mm	107.0	365.1	55.0	187.7	1.32	2.0	1.94
Zehnder Ax ZAD double, data per vertical tube												
ZAD-060	600	white/colour	61	87	length minus 49mm	51.0	174.0	26.0	88.7	1.30	1.1	1.12
ZAD-080	800	white/colour	61	87	length minus 49mm	66.0	225.2	34.0	116.0	1.30	1.5	1.45
ZAD-100	1000	white/colour	61	87	length minus 49mm	80.0	273.0	41.0	139.9	1.30	1.8	1.78
ZAD-120	1200	white/colour	61	87	length minus 49mm	94.0	320.7	48.0	163.8	1.31	2.1	2.11
ZAD-140	1400	white/colour	61	87	length minus 49mm	108.0	368.5	55.0	187.7	1.31	2.4	2.43
ZAD-160	1600	white/colour	61	87	length minus 49mm	122.0	416.3	62.0	211.5	1.31	2.8	2.76
ZAD-180	1800	white/colour	61	87	length minus 49mm	136.0	464.0	70.0	238.8	1.31	3.1	3.09
ZAD-200	2000	white/colour	61	87	length minus 49mm	150.0	511.8	77.0	262.7	1.32	3.4	3.42
ZAD-220	2200	white/colour	61	87	length minus 49mm	164.0	559.6	84.0	286.6	1.317	3.8	3.75
To calculate the number of tubes required, allow 44mm per tube												
Max. Working Pressure: 4 bar			Test House: CETIAT									
Max. Working Temperature: 110°C			Test House No: 1623									

Made to Measure Options												
Model code	Height mm	Finish	Overall Projection mm	Pipe Centres mm		Outputs $\Delta T=50K$		Outputs $\Delta T=30K$		n Exponent	Weight kg	Water Content litres
				radiator	from wall	Watts	Btu	Watts	Btu			
Zehnder Ax ZAH single, data per linear metre												
ZAH 6	264	white/colour	49	76	length minus 50mm	308	1051	157	536	1.32	6.10	1.22
ZAH 8	352	white/colour	49	76	length minus 50mm	414	1413	211	720	1.32	8.00	1.62
ZAH 10	440	white/colour	49	76	length minus 50mm	520	1774	266	908	1.31	10.00	2.03
ZAH 12	528	white/colour	49	76	length minus 50mm	625	2133	320	1092	1.31	11.90	2.44
ZAH 14	616	white/colour	49	76	length minus 50mm	730	2491	374	1276	1.31	13.80	2.84
Zehnder Ax ZAH double, data per linear metre												
ZAHD 6	264	white/colour	61	87	length minus 50mm	529	1805	273	931	1.30	11.00	1.79
ZAHD 8	352	white/colour	61	87	length minus 50mm	680	2320	350	1194	1.30	14.60	2.39
ZAHD 10	440	white/colour	61	87	length minus 50mm	825	2815	425	1450	1.30	18.10	2.99
ZAHD 12	528	white/colour	61	87	length minus 50mm	966	3296	498	1699	1.30	21.70	3.59
ZAHD 14	616	white/colour	61	87	length minus 50mm	1105	3770	570	1945	1.30	25.30	4.19
Max. Working Pressure: 4 bar			Test House: CETIAT									
Max. Working Temperature: 110°C			Test House No: 1623									

Zehnder Kleo

Stock Models													
Model code	Height mm	Width mm	Finish	Overall Projection mm	Pipe Centres mm		Outputs $\Delta T=50K$		Outputs $\Delta T=30K$		n Exponent	Weight kg	Water Content litres
					radiator	from wall	Watts	Btu	Watts	Btu			
Vertical													
KLV-180-030	1800	299	white/colour	74	248	38	632	2156	329	1123	1.28	10.8	4.5
KLV-180-040	1800	398	white/colour	74	347	38	842	2874	438	1494	1.28	14.4	6.1
KLV-180-050	1800	497	white/colour	74	446	38	1053	3593	548	1870	1.28	18.0	7.5
KLV-180-060	1800	596	white/colour	74	545	38	1264	4313	647	2209	1.28	21.6	9.0
KLVC-180-030	1800	299	chrome	74	248	38	448	1529	225	768	1.35	10.8	4.5
KLVC-180-040	1800	398	chrome	74	347	38	598	2040	300	1024	1.35	14.4	6.1
KLVC-180-050	1800	497	chrome	74	446	38	747	2549	375	1280	1.35	18.0	7.5
KLVC-180-060	1800	596	chrome	74	545	38	896	3057	450	1535	1.35	21.6	9.0
Horizontal													
KLH-058-100	596	1000	white/colour	74	962	38	782	2668	413	1409	1.25	12.7	5.5
KLH-058-120	596	1200	white/colour	74	1162	38	938	3201	495	1689	1.25	14.9	6.6
KLH-058-140	596	1400	white/colour	74	1362	38	1095	3736	578	1972	1.25	17.1	7.7
KLHD-058-100	596	1000	white/colour	106	962	38	1211	4134	636	2170	1.26	22.6	12.5
KLHD-058-120	596	1200	white/colour	106	1162	38	1453	4961	763	2603	1.26	27.1	15.0
KLHD-058-140	596	1400	white/colour	106	1362	38	1695	5787	891	3040	1.26	31.6	17.5

Max. Working Pressure: 4 bar Test House: CETIAT
 Max. Working Temperature: 110°C Test House No: 1623

Zehnder Kleo

Made to Measure Options													
Model code	Height mm	Finish	Overall Projection mm	Pipe Centres mm		Outputs $\Delta T=50K$		Outputs $\Delta T=30K$		n Exponent	Weight kg	Water Content litres	
				radiator	from wall	Watts	Btu	Watts	Btu				
Zehnder Kleo KLV single, data per vertical tube													
KLV 060	600	white/colour	74	49	length minus 38	26.0	88.7	14.0	47.8	1.27	0.5	0.2	
KLV 080	800	white/colour	74	49	length minus 38	34.0	116.0	18.0	61.4	1.27	0.6	0.3	
KLV 100	1000	white/colour	74	49	length minus 38	41.0	139.9	21.0	71.7	1.27	0.7	0.3	
KLV 120	1200	white/colour	74	49	length minus 38	49.0	167.2	25.0	85.3	1.27	0.8	0.4	
KLV 140	1400	white/colour	74	49	length minus 38	56.0	191.1	29.0	98.9	1.28	0.9	0.4	
KLV 160	1600	white/colour	74	49	length minus 38	63.0	215.0	33.0	112.6	1.28	1.0	0.5	
KLV 180	1800	white/colour	74	49	length minus 38	70.0	238.8	37.0	126.2	1.28	1.2	0.5	
KLV 200	2000	white/colour	74	49	length minus 38	78.0	266.1	40.0	136.5	1.28	1.3	0.5	
KLV 220	2200	white/colour	74	49	length minus 38	85.0	290.0	44.0	150.1	1.28	1.4	0.6	

To calculate the number of tubes required, allow 44mm per tube
 Max. Working Pressure: 4 bar Test House: CETIAT
 Max. Working Temperature: 110°C Test House No: 1623

Made to Measure Options													
Model code	Height mm	Finish	Overall Projection mm	Pipe Centres mm		Outputs $\Delta T=50K$		Outputs $\Delta T=30K$		n Exponent	Weight kg	Water Content litres	
				radiator	from wall	Watts	Btu	Watts	Btu				
Zehnder Kleo KLH single, data per linear metre													
KLH 12 tubes	398	white/colour	74	49	length minus 38	515	1757	278	949	1.21	8.5	3.7	
KLH 14 tubes	464	white/colour	74	49	length minus 38	611	2085	322	1099	1.26	9.9	4.3	
KLH 16 tubes	530	white/colour	74	49	length minus 38	697	2378	367	1252	1.26	11.3	4.9	
KLH 18 tubes	596	white/colour	74	49	length minus 38	782	2668	412	1406	1.25	12.7	5.5	
KLH 20 tubes	662	white/colour	74	49	length minus 38	867	2958	457	1559	1.25	14.1	6.1	
KLH 22 tubes	728	white/colour	74	49	length minus 38	951	3245	502	1713	1.25	15.5	6.7	
KLH 24 tubes	794	white/colour	74	49	length minus 38	1034	3528	545	1860	1.25	16.9	7.3	
KLH 26 tubes	860	white/colour	74	49	length minus 38	1117	3811	590	2013	1.25	18.3	7.9	
KLH 28 tubes	926	white/colour	74	49	length minus 38	1200	4094	634	2163	1.25	19.7	8.5	
KLH 30 tubes	992	white/colour	74	49	length minus 38	1282	4374	677	2310	1.25	21.1	9.1	
KLH 32 tubes	1058	white/colour	74	49	length minus 38	1364	4654	721	2460	1.25	22.5	9.8	
KLH 34 tubes	1124	white/colour	74	49	length minus 38	1445	4930	764	2607	1.25	23.9	10.4	
KLH 36 tubes	1190	white/colour	74	49	length minus 38	1526	5207	807	2753	1.247	25.3	11.0	

Max. Working Pressure: 4 bar Test House: CETIAT
 Max. Working Temperature: 110°C Test House No: 1623

Zehnder Lyta-S Horizontal

Stock Models													
Model code	Height mm	Width mm	Finish	Overall Projection mm	Pipe Centres mm		Outputs $\Delta T=50K$		Outputs $\Delta T=30K$		n Exponent	Weight kg	Water Content litres
					radiator	from wall	Watts	Btu	Watts	Btu			
LYSV-Z-040-048	395	480	white*	130	504 plus valves	82	546	1863	283	964	1.29	6.6	1.44
LYSV-Z-040-064	395	640	white*	130	664 plus valves	82	728	2484	377	1286	1.29	8.8	1.92
LYSV-Z-040-080	395	800	white*	130	824 plus valves	82	910	3105	471	1607	1.29	11.0	2.40
LYSV-Z-040-096	395	960	white*	130	984 plus valves	82	1092	3726	565	1929	1.29	13.2	2.88
LYSV-Z-040-112	395	1120	white*	130	1144 plus valves	82	1274	4347	659	2250	1.29	15.4	3.36
LYSV-Z-055-048	545	480	white*	130	504 plus valves	82	737	2516	381	1302	1.29	8.4	1.5
LYSV-Z-055-064	545	640	white*	130	664 plus valves	82	983	3355	509	1736	1.29	11.2	2.0
LYSV-Z-055-080	545	800	white*	130	824 plus valves	82	1229	4193	636	2170	1.29	14.0	2.5
LYSV-Z-055-096	545	960	white*	130	984 plus valves	82	1475	5032	763	2604	1.29	16.8	3.0
LYSV-Z-055-112	545	1120	white*	130	1144 plus valves	82	1721	5871	890	3038	1.29	19.6	3.5
LYSV-Z-065-048	645	480	white*	130	504 plus valves	82	848	2895	435	1486	1.30	9.6	1.8
LYSV-Z-065-064	645	640	white*	130	664 plus valves	82	1131	3860	581	1982	1.30	12.8	2.4
LYSV-Z-065-080	645	800	white*	130	824 plus valves	82	1414	4824	726	2477	1.30	16.0	3.0
LYSV-Z-065-096	645	960	white*	130	984 plus valves	82	1697	5789	871	2973	1.30	19.2	3.6
LYSV-Z-065-112	645	1120	white*	130	1144 plus valves	82	1980	6754	1016	3468	1.30	22.4	4.2

*white (RAL 9010)

Max. Working Pressure: 24 bar Test House: Laboratorio Misure Ricerche Termotecniche
 Max. Working Temperature: 120°C Test House No: 1695

Zehnder Lyta-T Vertical

Stock Models													
Model code	Height mm	Width mm	Finish	Overall Projection mm	Pipe Centres mm		Outputs $\Delta T=50K$		Outputs $\Delta T=30K$		n Exponent	Weight kg	Water Content litres
					radiator	from wall	Watts	Btu	Watts	Btu			
LYTV-Z-097-032	966	320	white*	110 to 140	344 plus valves	82	728	2484	362	1234	1.37	7.8	1.7
LYTV-Z-097-048	966	480	white*	110 to 140	504 plus valves	82	1092	3726	542	1851	1.37	11.8	2.6
LYTV-Z-147-032	1466	320	white*	110 to 140	344 plus valves	82	1000	3412	499	1703	1.39	11.2	2.5
LYTV-Z-147-048	1466	480	white*	110 to 140	504 plus valves	82	1500	5118	749	2555	1.39	16.8	3.7
LYTV-Z-187-024	1866	240	white*	110 to 140	264 plus valves	82	900	3071	442	1510	1.39	10.2	2.3
LYTV-Z-187-032	1866	320	white*	110 to 140	344 plus valves	82	1200	4094	590	2013	1.39	13.6	3.1
LYTV-Z-187-040	1866	400	white*	110 to 140	424 plus valves	82	1500	5118	737	2516	1.39	17.0	3.9
LYTV-Z-187-048	1866	480	white*	110 to 140	504 plus valves	82	1800	6142	885	3019	1.39	20.4	4.7

*white (RAL 9010)

Max. Working Pressure: 6 bar Test House: Laboratorio Misure Ricerche Termotecniche
 Max. Working Temperature: 120°C Test House No: 1695

Zehnder Excelsior

Made to Measure Options - 30mm spacing

Model code	Height mm	Finish	Overall Projection mm	Pipe Centres mm		Outputs $\Delta T=50K$		Outputs $\Delta T=30K$		n Exponent	Weight kg	Water Content litres
				radiator	from wall	Watts	Btu	Watts	Btu			
Zehnder Excelsior vertical single fin with - 30mm spacing spacing white												
E1040/30	400	wh/col	95	length+valves	50	27	92	14.6	49.8	1.21	0.76	0.18
E1050/30	500	wh/col	95	length+valves	50	32	109	17.2	58.7	1.21	0.93	0.22
E1060/30	600	wh/col	95	length+valves	50	37	126	19.8	67.6	1.22	1.10	0.25
E1120/30	1200	wh/col	95	length+valves	50	67	229	34.4	117.4	1.25	2.14	0.47
E1150/30	1500	wh/col	95	length+valves	50	83	284	43.6	148.8	1.26	2.67	0.58
E1180/30	1800	wh/col	95	length+valves	50	100	341	52.0	177.4	1.28	3.19	0.69
E1200/30	2000	wh/col	95	length+valves	50	111	379	57.4	195.8	1.29	3.53	0.76

Underside connections available on request.

 Max working pressure: 5 bar Test House: HLK Stuttgart
 Max. Working Temperature: 120°C Test House No: 0626

Zehnder Excelsior

Made to Measure Options - 40mm spacing

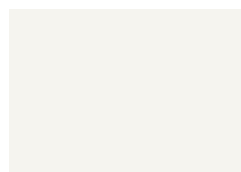
Model code	Height mm	Finish	Overall Projection mm	Pipe Centres mm		Outputs $\Delta T=50K$		Outputs $\Delta T=30K$		n Exponent	Weight kg	Water Content litres
				radiator	from wall	Watts	Btu	Watts	Btu			
Zehnder Excelsior vertical single fin with - 40mm spacing spacing white												
E1040/40	400	wh/col	95	length+valves	50	29	99	15.6	53.2	1.21	0.78	0.19
E1050/40	500	wh/col	95	length+valves	50	34	116	18.2	62.1	1.22	0.95	0.23
E1060/40	600	wh/col	95	length+valves	50	40	136	21.4	73.0	1.22	1.12	0.26
E1120/40	1200	wh/col	95	length+valves	50	72	246	37.8	129.0	1.26	2.16	0.48
E1150/40	1500	wh/col	95	length+valves	50	90	308	46.8	159.7	1.28	2.68	0.59
E1180/40	1800	wh/col	95	length+valves	50	109	372	56.1	191.4	1.30	3.21	0.70
E1200/40	2000	wh/col	95	length+valves	50	122	416	62.5	213.2	1.31	3.55	0.77

Underside connections available on request.

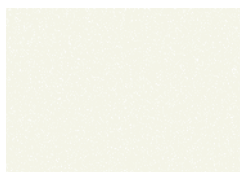
 Max working pressure: 5 bar Test House: HLK Stuttgart
 Max. Working Temperature: 120°C Test House No: 0626

Colour System

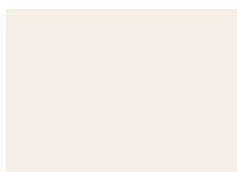
Architectural



White Matt
0556



White Quartz
0521



Pure White
RAL 9010 / 9010*



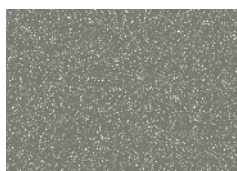
Inox Look
0332*



White Aluminium
9006*



Titane
0335*



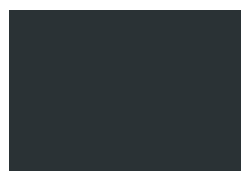
Grey Aluminium
9007*



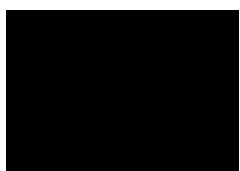
Anthracite
0346



Volcanic
0336



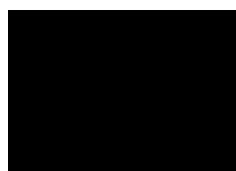
Anthracite Grey
RAL 7016 / 7016*



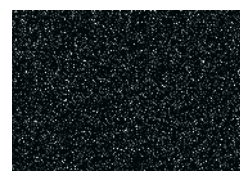
Traffic Black
RAL 9017 / 9017*



Jet Black
RAL 9005 / 9005*

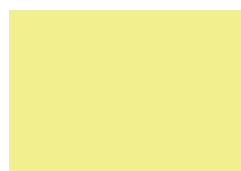


Black Matt
0557



Black Quartz
0550

Tonic



Lemon
0515*



Traffic Yellow
RAL 1023 / 1023*



Orange Quartz
0528



Flame Red
RAL 3000 / 3000*



Ruby Red
RAL 3003 / 3003*



Mauve
0517*



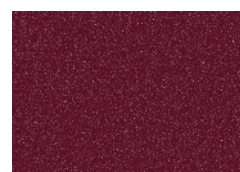
Violet
0518*



Strawberry
NCS-S-2065-R20B / 3770



Dark Purple
0848



Amethyst Quartz
0516



Lichen
NCS-S-2010-G60Y / 8723



Spring Green
0846



Pacific Blue
0519



Horizon Blue
0520*



Prussian Blue
0555*

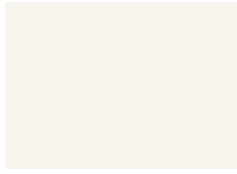
* These colours have a glossy finish, all others are matt.

Some colours/surface finishes are only available for selected products.

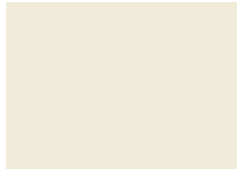
Deviations are possible (shade and shine) due to the different manufacturing techniques used for the original colours. RAL and NCS are manufacturer designations.

This colour chart only represents the range of Zehnder colours available. It is not representative of the actual colour finish. Please ask for a colour chart from which to confirm your selection before placing your order.

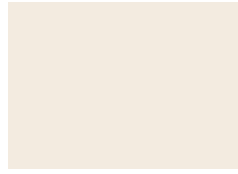
Natural



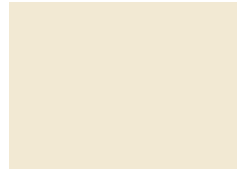
Edelweiss
0067



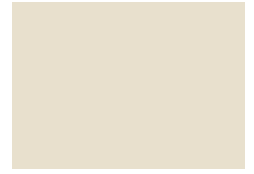
Cream
RAL 9001 / 9001*



Pergamon
0081*



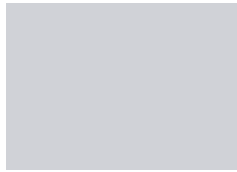
Jasmin
0072



Oyster White
RAL 1013 / 1013*



Grey White
RAL 9002 / 9002*



Chinchilla
0064



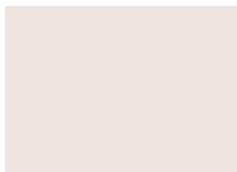
Manhattan
0077*



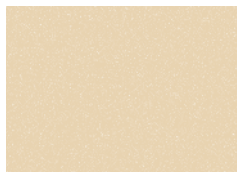
Natura
0035*



Bahama
0054*



Petal
0510*



Sand Quartz
0522



Beige Quartz
0523



Caramel Quartz
0511



Terracotta Quartz
0512



Gold Look
0514*



Brown Quartz
0529

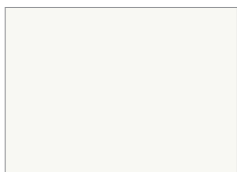


Dark Brown
0847



Chocolate Brown
RAL 8017 / 8017*

Standard



Traffic White
RAL 9016*

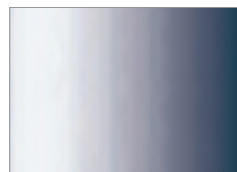


Traffic White
RAL 9016 - matt version
(incurs +25% colour
surcharge)

Surfaces



Chrome
0008



Stainless Steel
Only available for
stainless steel radiators



**Technoline (Clear)
Bare Metal lacquer**
0325. Only available
for Charleston range,
excluding NZ-030-100.



**Black-silver
hammered finish**
0422* Only available for
Charleston range



**Copper-black
hammered finish**
0421* Only available for
Charleston range

General Information

Heat Loss Calculator

This easy-to-use heat calculator can work out the heat requirements for your room.

Stage 1 Take the room dimensions in metres

Width m Length m Height m

calculate the volume ($W \times L \times H$) = cubic metres

Stage 2 Heating requirements per room type

Living Room / Dining Room / Bathroom volume

multiply volume as calculated in Stage 1 by 50 = Watts required

Bedroom volume

multiply volume as calculated in Stage 1 by 40 = Watts required

Kitchen / Hallway volume

multiply volume as calculated in Stage 1 by 30 = Watts required

Stage 3 Other factors for consideration

Is the property exposed? a

Does the room have large areas of glazing? b

Are the windows double glazed? c

If factor 'a' applies, increase the Watts required at Stage 2 by 15%

If factor 'b' applies, increase the Watts required at Stage 2 by 20%

If factor 'c' applies, decrease the Watts required at Stage 2 by 10%

If factor 'a' and 'b' apply, increase the Watts required at Stage 2 by 35%

If factor 'a' and 'c' apply, increase the Watts required at Stage 2 by 5%

If factor 'b' and 'c' apply, increase the Watts required at Stage 2 by 10%

If factor 'a', 'b' and 'c' apply, increase the Watts required at Stage 2 by 25%

Please note that this calculator is provided as a guide only.

To convert Watts to BTUs, multiply by 3.412.

For an approximate conversion from $\Delta T50^{\circ}\text{C}$ to $\Delta T60^{\circ}\text{C}$, multiply the $\Delta T50^{\circ}\text{C}$ output by 1.2.

Terms and Conditions of Trading

A complete copy of the company's terms and conditions of trading are available on our website www.zehnder.co.uk

In addition to the Terms and Conditions, please note the following:

- All delivery times quoted are estimates only. Prices quoted include free delivery to the UK mainland for radiators and towel rails. Orders for valves, fans, elements and accessories with a net order value under £100 are subject to a processing charge of £10 + VAT
- Returned goods for credit will only be accepted by prior arrangement (confirmed in writing), within 8 weeks of the date of despatch, where the goods are part of our stock range and where the goods are as fit for sale on their return as they were on delivery. If goods have been fitted this is deemed as acceptance of their quality. We cannot accept the return of non-stock goods.
- You are responsible for ensuring the suitability, conformity and interoperability of the goods or indicative system design suggestions provided by us with your heating system and your design requirements. It is important that you undertake such verification with an appropriately qualified expert third party
- Where a radiator is returned as no longer required and an alternative radiator is not ordered a 25% restocking fee plus a £10 administration fee will be charged (unless the goods were defective when delivered). If a radiator is no longer required but an alternative radiator is ordered, either a restocking fee of £25 or 25% of the value (whichever is the lower) will be charged, but the administration fee will be waived.
- We warrant the goods for a period of 5 years for steel radiators, 10 years for stainless steel and aluminium radiators, 2 years for radiator electrical componentry and 3 years for extractor fans, from the date of delivery. The warranty is subject to correct installation to current standards/water treatments and use.
- Radiators with steel components (other than stainless steel) must not be installed on a domestic hot water circuit. If a stainless steel or brass product is to be installed on the domestic hot water circuit, a check should be made with the local water authority to ensure that dezincification is not a common occurrence.
- Artificially softened water should not be used to fill radiators. For FAQ radiator/water-related information, visit www.fernox.com.
- All measurements given in this brochure are nominal dimensions only.
- All brochures, catalogues and other promotional materials are to be treated as illustrative only. Their contents form no part of any contract between us and you should not rely on them in entering into any contract with us. Any typographical, clerical or other error or omission in any literature, quotation, price list, or other document issued by us will be subject to correction without liability being incurred by us.

Bathroom Zones

The diagram below shows a bathroom divided into four clear zones: 0, 1, 2 and outside zones. Please note, the diagram is only a guide and is NOT to scale. Please refer to I.E.E Wiring Regulations (BS 7671:2008) for detailed information.

Zone 0: Inside the bath

Zone 1: Area above bath / shower tray to a height of 2.25m.

Minimum rating of IPX4 should be used unless water spray will be present. In this case, a rating of IPX5 should be used.

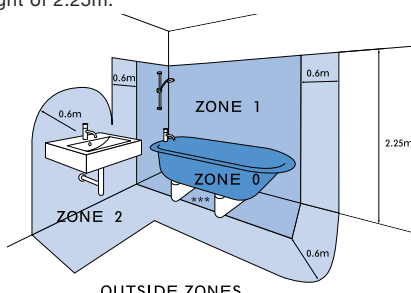
Zone 2: Area stretching 0.6m from zone 1. Minimum rating of IPX4 should be used here.

Outside Zones: No water spray is likely to be used here, therefore, no IP rating is required.

IP Rating: "X" denotes level of security against dust particles. Second digit denotes level of "watertightness".

IPX5: Protected against low pressure water jets

IPX4: Protected against splashing water



Frequently Asked Questions

Why is it important with some of the models that the flow is in a specific connection position?

Some of the design radiators have baffles inside the water-carrying tubes to divert the water flow around the whole radiator to maximize efficiency. Check the installation instructions to see if this applies to the radiator before it is installed.

What is an inhibitor and why should it be used in a central heating system?

An inhibitor is a chemical mix that should be added to the central heating system water to prevent corrosion and to prolong the life of the system. When new or additional radiators are being installed, the system should be drained, cleaned and flushed in accordance with BS7593 and a good quality chemical water treatment inhibitor should be added to the heating system.

Can steel and aluminium radiators be put on the same system?

Yes, as long as an inhibitor for mixed metal systems is used. In reality, most systems are already mixed metal, as many have aluminium heat exchangers in the boiler, plus copper pipes and steel radiators already installed.

Why is it important to use dual energy installations correctly?

Simultaneous use of the electrical element and the central heating system should be avoided as this will shorten the life of the element and invalidate the warranty. Correct use is as follows: In summer when the central heating is switched off, vent the radiator to ensure there is no air present, then close the flow valve (only) and activate the immersion heater. In winter, de-activate the immersion heater and open the flow valve.

What is the difference between outputs listed at $\Delta T60^{\circ}\text{C}$ and $\Delta T50^{\circ}\text{C}$?

$\Delta T60^{\circ}\text{C}$ allows for older boiler systems, whilst $\Delta T50^{\circ}\text{C}$ is the new European testing standard for modern boilers, such as condensing boilers, which have lower flow and return temperatures. Therefore, to avoid radiators being incorrectly sized, it is important to know the system's temperatures and take them into consideration.

Notes



7640138048647

Zehnder Group UK Ltd
Watchmoor Point · Camberley · Surrey · GU15 3AD · Registered in England: 2296696
T: +44 (0) 1276 605800 F: +44 (0) 1276 24058
For placing an order · orders@zehnder.co.uk
For general enquiries · retailsales@zehnder.co.uk
aftersales@zehnder.co.uk
quotes@zehnder.co.uk
www.zehnder.co.uk

zehnder