

**zehnder**

always the  
best climate

Always the best climate for

# HEATING YOUR HOME

Decorative Radiators, Towel Rails and  
Extractor Fans

The Zehnder Selection Brochure  
1st January 2017 Issue 1

# At Zehnder, heat is everything.

We are passionate about heat. Since our company was founded more than 100 years ago, heat has been inspiring us to achieve innovations in radiator technology time and time again. These innovations have become the industry standard – you only have to think of our tubular radiators or towel radiators, for example.

Yet just as heat is about much more than measurements in Celsius and Fahrenheit, so radiators are about much more than just technology. For Zehnder, they are also decorative pieces which should integrate seamlessly into different living and furnishing styles – something that should be part of everyone's lifestyle.

Zehnder products and systems can provide you with the ideal solutions for a comfortable, healthy and energy-efficient indoor climate.

## **HEATED TOWEL RAILS for cloakrooms and en-suites**

PAGE 5



## **HEATED TOWEL RAILS for under bathroom windows**

PAGE 14



## **STAINLESS STEEL HEATED TOWEL RAILS and RADIATORS recommended for wet rooms**

PAGE 60





## **RADIATORS FOR LIVING ROOMS and other areas of the home**



PAGE 76



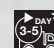

### Symbol Key

 Central heating  Dual energy radiators

 Stainless steel  m2m radiators

 Electric radiators  Colour

   Years warranty

  Delivery working days

\*applies to stock items only

### HEATED TOWEL RAILS for bathrooms

PAGE 20




### ELECTRIC RADIATORS for electric towel rails refer to bathroom section


PAGE 116









### CONTENTS

PAGE 4	PRODUCT INDEX
PAGE 5	HEATED TOWEL RAILS FOR CLOAKROOMS
PAGE 14	HEATED TOWEL RAILS FOR UNDER BATHROOM WINDOWS
PAGE 20	HEATED TOWEL RAILS FOR BATHROOMS
PAGE 60	STAINLESS STEEL HEATED TOWEL RAILS AND RADIATORS
PAGE 76	GENERAL PURPOSE RADIATORS
PAGE 116	ELECTRIC RADIATORS
PAGE 122	EXTRACTOR FANS
PAGE 128	ACCESSORIES, VALVES, DUAL ENERGY AND ELECTRIC PRODUCTS
PAGE 138	TECHNICAL SPECIFICATIONS
PAGE 156	COLOUR SWATCHES
PAGE 158	HOW TO SELECT THE CORRECT RADIATOR

 All products are CE approved.

 All central heating products certified to EN442.

**STOCK:** All products listed in bold black type are stocked items.

Model	 central heating	 stainless steel/brass radiators	 electric radiators	 dual energy radiators	 m2m radiators	 colour availability	CE technical data
<b>Heated towel rails for cloakrooms and en-suites</b>							
Zehnder Ax Spa	pg 6	-	-	✓	-	✓	pg 142
Zehnder Charleston Bar	pg 8	-	-	-	pg 82	✓	pg 143
Zehnder Klaro	pg 12	-	pg 28	✓	-	✓	pg 139
Zehnder Metropolitan Spa	pg 10	-	-	✓	-	✓	pg 142
Zehnder Quaro Spa	pg 12	✓	pg 22	✓	-	✓	pg 139
Zehnder Subway	pg 6	pg 6	-	✓	-	✓	pg 140
Zehnder Stellar	-	pg 8	-	✓	-	✓	pg 143
Zehnder Stellar Spa	-	pg 10	-	✓	-	✓	pg 145
<b>Heated towel rails for under bathroom windows</b>							
Zehnder Ax Spa	pg 15	-	pg 46	✓	-	✓	pg 142
Zehnder Metropolitan Spa	pg 16	-	pg 42	✓	-	✓	pg 142
Zehnder Roda Spa	pg 16	-	pg 48	✓	-	✓	pg 142
Zehnder Stellar	-	pg 18	-	✓	-	✓	pg 143
Zehnder Stellar Spa	-	pg 18	-	✓	-	✓	pg 145
<b>Heated towel rails for bathrooms</b>							
Zehnder Ax Spa	pg 44	-	pg 46	✓	-	✓	pg 142
Zehnder Balmoral	pg 58	-	pg 58	✓	-	✓	pg 143
Zehnder Buckingham	pg 58	✓	pg 58	✓	-	-	pg 143
Zehnder Charleston Bar	pg 54	-	-	-	pg 82	✓	pg 143
Zehnder Klaro	pg 26	-	pg 28	✓	-	✓	pg 139
Zehnder Metropolitan Spa	pg 42	-	pg 42	✓	-	✓	pg 143
Zehnder Nobis	pg 56	✓	-	-	-	-	pg 143
Zehnder Osbourne	pg 58	✓	pg 58	✓	-	-	pg 143
Zehnder Quaro Spa	pg 22	pg 62	pg 22	✓	-	✓	pg 139
Zehnder Roda Spa Asym	pg 50	-	pg 52	✓	-	✓	pg 143
Zehnder Roda Spa	pg 48	-	pg 48	✓	-	✓	pg 142
Zehnder Sfera Bow	pg 36	-	pg 36	✓	-	✓	pg 140
Zehnder Subway	pg 30	pg 68	pg 34	✓	-	✓	pg 140
Zehnder Vitalo Bar	pg 24	-	pg 24	-	-	✓	pg 139
Zehnder Yucca Asym	pg 38	-	pg 38	✓	-	✓	pg 141
Zehnder Yucca Sym	pg 40	-	pg 40	✓	-	✓	pg 141
<b>Stainless steel heated towel rails and radiators</b> (Recommended for wet rooms)							
Zehnder Bay	-	pg 74	-	-	-	-	pg 146
Zehnder Cove	-	pg 70	-	✓	-	-	pg 145
Zehnder Keel Asym	-	pg 72	-	✓	-	-	pg 146
Zehnder Quaro Spa	pg 22	pg 62	pg 62	✓	-	-	pg 144
Zehnder Stellar	-	pg 64	-	✓	-	✓	pg 143
Zehnder Stellar Spa	-	pg 66	-	✓	-	✓	pg 145
Zehnder Subway	pg 30	pg 68	pg 68	✓	-	-	pg 145
<b>General purpose radiators</b>							
Zehnder Ax	pg 96	-	-	-	pg 98	✓	pg 151
Zehnder Charleston	pg 78	-	-	-	pg 82	✓	pg 147
Zehnder Charleston Mirror	pg 84	-	-	-	-	✓	pg 149
Zehnder Charleston Relax	pg 84	-	-	-	-	✓	pg 149
Zehnder Excelsior <b>NEW</b>	pg 112	-	-	-	pg 112	✓	pg 155
Zehnder Kleo	pg 100	-	-	-	pg 104	✓	pg 153
Zehnder Lyta-S (horizontal)	pg 108	-	-	-	pg 108	-	pg 154
Zehnder Lyta-T (vertical)	pg 110	-	-	-	pg 110	-	pg 154
Zehnder Metropolitan	pg 86	-	-	-	-	✓	pg 149
Zehnder Roda	pg 90	-	pg 120	-	pg 92	✓	pg 150
Zehnder Roda Mirror	pg 94	-	-	-	-	✓	pg 151
Zehnder Stratos	pg 106	-	-	-	-	✓	pg 154
<b>Electric radiators</b> (For electric towel rails, refer to bathroom section)							
Zehnder Alura	-	-	pg 118	-	-	-	-
Zehnder Charleston electric	-	-	pg 120	-	-	✓	-
Zehnder Charleston Plinth electric	-	-	pg 120	-	-	✓	-
Zehnder Fare Tech	-	-	pg 118	-	-	✓	-
Zehnder Roda	-	-	pg 120	-	-	✓	-



Heated towel rails for cloakrooms  
and en-suite bathrooms.  
Selected for size and style.

A well-chosen, designer radiator will add a touch of luxury and style to any home. Zehnder has created a range of radiators and towel rails with proportions especially suited to cloakrooms and en-suite bathrooms, with a choice of styles and colours to meet all aspirations.

HEATED TOWEL RAILS FOR CLOAKROOMS

Central Heating Model STOCK listed in black	Height mm	Width mm	Finish	Output $\Delta T=50K$ Watts/btu All outputs certified to EN 442	Electric Immersion Rating Watts	Weight kg	RRP (ex VAT)	RRP (inc 20% VAT)
<b>Zehnder Ax Spa</b>								
ZA-048-040	484	400	white	230/785	n/a	4.5	£162	£194.40
ZA-048-040-0336	484	400	volcanic	230/785	n/a	4.5	£203	£243.60
ZA-048-040-0523	484	400	beige quartz	230/785	n/a	4.5	£203	£243.60
ZA-048-040-0529	484	400	brown quartz	230/785	n/a	4.5	£203	£243.60

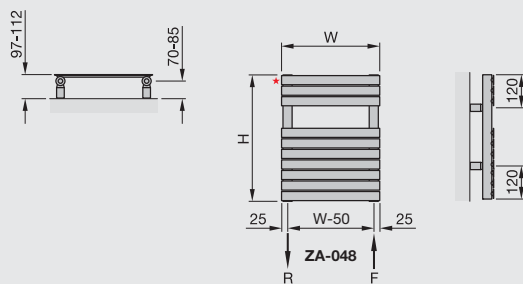
Projection: 97-112mm

**Colour finish:** Standard colours from the Zehnder colour chart including matt white finish: white RAL 9016 + 25%. Colour finish and non-stock products delivery: 18 working days.

**Suggested valves (to suit pipework from the wall)**

Model		RRP (ex VAT)	RRP (inc 20% VAT)
VAL-SET-2-CR	Contemporary double angled radiator valve set chrome plated	£196	£235.20
VAL-SET-11-CR	Thermostatic double angled valve set chrome plated	£171	£205.20

See page 44 for additional Ax Spa sizes, technical information and options, and pages 130 -135 for valve options



\*1/2" air vent  
Width excludes air vent  
F = flow  
R = return  
H = height  
W = width  
Tube: Horizontal 38x10.5  
Tube: Vertical  $\varnothing$  38mm  
All dimensions in mm

For full **CE** compliant technical specifications, refer to page 142

Central Heating Model STOCK listed in black	Height mm	Width mm	Finish	Output $\Delta T=50K$ Watts/btu All outputs certified to EN 442	Electric Immersion Rating Watts	Weight kg	RRP (ex VAT)	RRP (inc 20% VAT)
<b>Zehnder Subway</b>								
SUB-060-045	613	450	white	310/1058	200	5.2	£166	£199.20
SUB-060-045-0335	613	450	titane	310/1058	200	5.2	£208	£249.60
SUB-060-045-0336	613	450	volcanic	310/1058	200	5.2	£208	£249.60
SUB-060-045-0523	613	450	beige quartz	310/1058	200	5.2	£208	£249.60
SUB-060-045-0529	613	450	brown quartz	310/1058	200	5.2	£208	£249.60
SUBC-060-045	613	450	chrome	205/699	100	5.2	£361	£433.20
SUBI-060-045	613	450	stainless steel	221/754	150	5.1	£408	£489.60

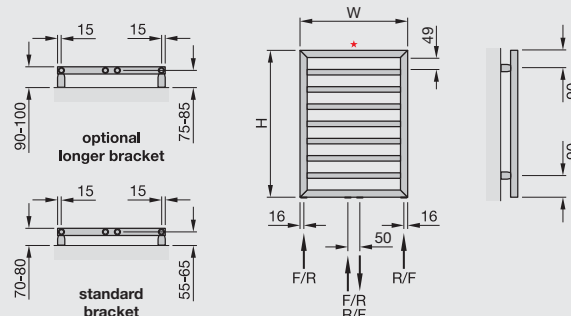
Projection: 70-80mm or 90-100mm, dependant on brackets selected. See page 30 for details

**Colour finish:** Standard colours from the Zehnder colour chart including matt white finish: white RAL 9016 + 25%. Colour finish and non-stock products delivery: 20 working days.

**Suggested valves (to suit pipework from the wall)**

Model		RRP (ex VAT)	RRP (inc 20% VAT)
VAL-SET-6-CR	Square head double angled valve set chrome plated	£196	£235.20

See pages 30 and 68 for additional Subway sizes, technical information and options, and pages 130 -135 for valve options



\*1/2" air vent  
Height excludes air vent  
F = flow  
R = return  
H = height  
W = width  
Tube: Horizontal  $\varnothing$  23mm  
Tube: Vertical 30x30mm  
All dimensions in mm

For full **CE** compliant technical specifications, refer to page 140  
To make an approximate conversion from T=50K to T=60K multiply outputs by 1.2

SUB-060  
SUBI-060  
SUBC-060

# Zehnder Ax Spa



The especially proportioned Ax Spa is ideal for small cloakrooms.



Valves: see page 130



# Zehnder Subway



The simple elegance and small projection of the Subway makes it an attractive choice for small spaces.



Volcanic



HEATED TOWEL RAILS FOR CLOAKROOMS

Central Heating Model <b>STOCK</b> listed in black	Height mm	Width mm	Finish	Output $\Delta T=50K$ Watts/btu All outputs certified to EN 442	Electric Immersion Rating Watts	Weight kg	RRP (ex VAT)	RRP (inc 20% VAT)
<b>Zehnder Charleston Bar</b>								
2075-6	742	306	white	330/1128	n/a	7.2	£240	£288.00

Chrome towel bar included. Projection including towel bar: 134mm

**Colour finish:** Standard colours from the Zehnder colour chart including matt white finish: white RAL 9016 + 25%. Colour finish and non-stock products delivery: 15 working days.

**Accessories**

Model		RRP (ex VAT)	RRP (inc 20% VAT)
601020	Lambs wool brush	£50	£60.00
966018	Additional 368mm Towel Bar	£128	£153.60

The additional chrome bar above can be cut down to fit if required

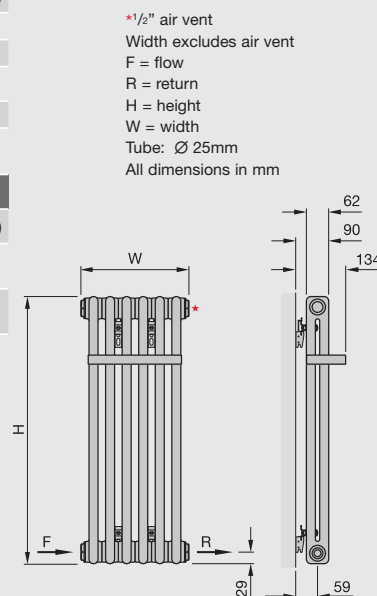
CTR-28	Chrome towel rail. Spans across 6 elements	£108	£129.60
--------	--	------	---------

Contains full length rail and two brackets.

**Suggested valves (to suit pipework from the wall)**

Model		RRP (ex VAT)	RRP (inc 20% VAT)
VAL-SET-2-CR	Contemporary double angled radiator valve set chrome plated	£55	£66.00
VAL-SET-10-CR	Thermostatic double angled valve set chrome plated	£171	£205.20
VAL-SET-11-CR			

See pages 78 to 85 for additional Charleston sizes, technical information and options, and pages 130 -135 for valve options



For full **CE** compliant technical specifications, refer to page 147

Central Heating Model <b>STOCK</b> listed in black	Height mm	Width mm	Finish	Output $\Delta T=50K$ Watts/btu All outputs certified to EN 442	Electric Immersion Rating Watts	Weight kg	RRP (ex VAT)	RRP (inc 20% VAT)
<b>Zehnder Stellar Stainless Steel</b>								
STNI-080-030	788	300	s/steel polished	159/541	100	3.4	£227	£272.40
STNI-060-045	572	450	s/steel polished	159/541	100	3.0	£226	£271.20

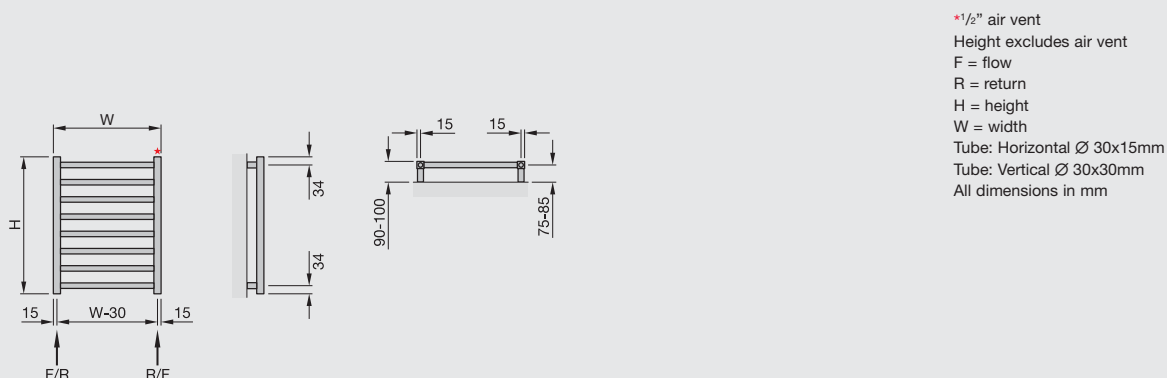
Projection: 90-100mm

**Colour finish:** Standard colours from the Zehnder colour chart. Colour finish and non-stock products delivery: 21 working days

**Suggested valves (to suit pipework from the wall)**

Model		RRP (ex VAT)	RRP (inc 20% VAT)
VAL-SET-6-CR	Square head double angled valve set chrome plated	£196	£235.20

See page 64 for additional Stellar sizes, technical information and options, and pages 130 -135 for valve options



For full **CE** compliant technical specifications, refer to page 143  
To make an approximate conversion from T=50K to T=60K multiply outputs by 1.2



# Zehnder Charleston Bar



At only 306mm wide, this especially created, stocked size of the Charleston is idea for narrow spaces. The chrome towel bar is included.



Valves: see page 130



# Zehnder Stellar



The stainless steel Stellar with its neat proportions and narrow projection is a new favourite for cloakrooms.



Valves: see page 130



HEATED TOWEL RAILS FOR CLOAKROOMS

Central Heating Model STOCK listed in black	Height mm	Width mm	Finish	Output $\Delta T=50K$ Watts/btu All outputs certified to EN 442	Electric Immersion Rating Watts	Weight kg	RRP (ex VAT)	RRP (inc 20% VAT)
<b>Zehnder Metropolitan Spa</b>								
<b>MET-080-040</b>	805	400	white	327/1115	300	6.5	<b>£320</b>	<b>£384.00</b>

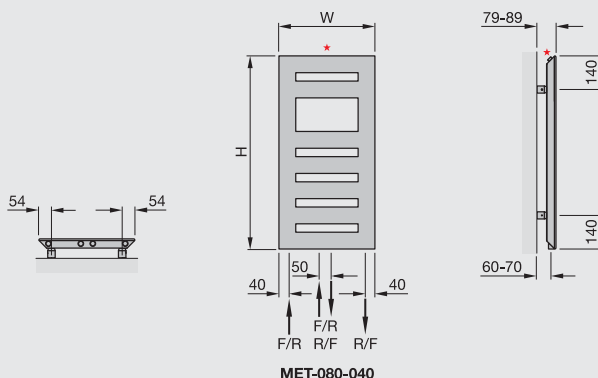
**Colour finish:** Standard colours from the Zehnder colour chart including matt white finish: white RAL 9016 + 25%. Colour finish and non-stock products delivery: 20 working days.

**Suggested valves (to suit pipework from the wall)**

Model		RRP (ex VAT)	RRP (inc 20% VAT)
<b>VAL-SET-2-CR</b>	Contemporary double angled radiator valve set chrome plated	<b>£55</b>	<b>£66.00</b>
<b>VAL-SET-10-CR</b> <b>VAL-SET-11-CR</b>	Thermostatic double angled valve set chrome plated	<b>£171</b>	<b>£205.20</b>

See pages 42-43 for additional Metropolitan Spa sizes, technical information and options, and pages 130 -135 for valve options

\*1/2" air vent  
Width excludes air vent  
F = flow  
R = return  
H = height  
W = width  
Tube:  $\varnothing$  25mm  
All dimensions in mm



For full **CE** compliant technical specifications, refer to page 142

Central Heating Model STOCK listed in black	Height mm	Width mm	Finish	Output $\Delta T=50K$ Watts/btu All outputs certified to EN 442	Electric Immersion Rating Watts	Weight kg	RRP (ex VAT)	RRP (inc 20% VAT)
<b>Zehnder Stellar Spa Stainless Steel</b>								
<b>STGI-060-045</b>	572	450	stainless steel	161/549	100	3.0	<b>£209</b>	<b>£250.80</b>
<b>STGI-080-030</b>	788	300	stainless steel	171/583	100	3.3	<b>£210</b>	<b>£252.00</b>

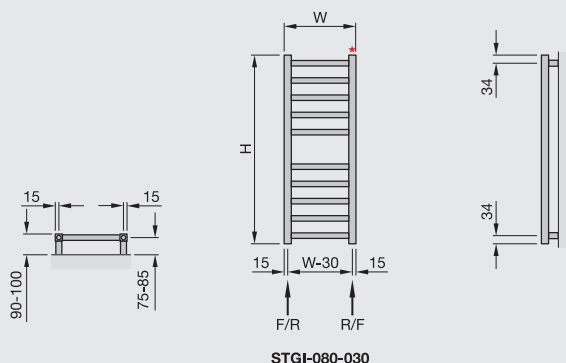
**Colour finish:** Standard colours from the Zehnder colour chart. Colour finish and non-stock products delivery: 21 working days

**Suggested valves (to suit pipework from the wall)**

Model		RRP (ex VAT)	RRP (inc 20% VAT)
<b>VAL-SET-6-CR</b>	Square head double angled valve set chrome plated	<b>£196</b>	<b>£235.20</b>

See page 66 for additional Stellar Spa sizes, technical information and options, and pages 130 -135 for valve options

\*1/2" air vent  
Height excludes air vent  
F = flow  
R = return  
H = height  
W = width  
Tube: Horizontal  $\varnothing$  23mm  
Tube: Vertical  $\varnothing$  30mm  
All dimensions in mm



For full **CE** compliant technical specifications, refer to page 145  
To make an approximate conversion from T=50K to T=60K multiply outputs by 1.2

# Zehnder Metropolitan Spa



The Zehnder Metropolitan is a modern, stylish and elegant interpretation of the traditional towel radiator now in cloakroom compatible sizes.



Valves: see page 130



# Zehnder Stellar Spa



The Zehnder Stellar Spa in stainless steel construction is a simple yet stylish towel radiator at affordable prices.



Valves: see page 130



HEATED TOWEL RAILS FOR CLOAKROOMS

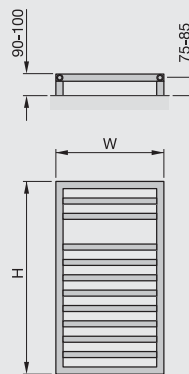
Electric Heating Model STOCK listed in black	Height mm	Width mm	Finish	Output $\Delta T=50K$ Watts/btu All outputs certified to EN 442	Electric Immersion Rating Watts	Weight kg	RRP (ex VAT)	RRP (inc 20% VAT)
<b>Zehnder Quaro Spa</b>								
QS-075-045	803	450	white (RAL9016)	332 /1133	200	7.5	£170	£204.00
QS-075-045-0346	803	450	anthracite	332 /1133	200	7.5	£213	£255.60
QS-075-045-0523	803	450	beige quartz	332 /1133	200	7.5	£213	£255.60
QSC-075-045	803	450	chrome	206/703	150	7.5	£379	£454.80
QSI-075-045	803	450	s/steel brushed	222 /757	200	7.1	£410	£492.00

**Colour finish:** Standard colours from the Zehnder colour chart including matt white finish: white RAL 9016 + 25%. Colour finish and non-stock products delivery: 20 working days.

**Suggested valves (to suit pipework from the wall)**

Model		RRP (ex VAT)	RRP (inc 20% VAT)
VAL-SET-6-CR	Square head double angled valve set chrome plated	£196	£235.20

See pages 22 and 62 for additional Quaro Spa sizes, technical information and options, and pages 130 -135 for valve options



QSI-075

\*1/2" air vent  
Width excludes air vent  
F = flow  
R = return  
H = height  
W = width  
All dimensions in mm

For full **CE** compliant technical specifications, refer to page 139

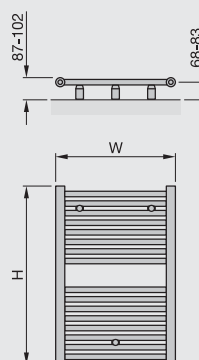
Electric Heating Model STOCK listed in black	Height mm	Width mm	Finish	Output $\Delta T=50K$ Watts/btu All outputs certified to EN 442	Electric Immersion Rating Watts	Weight kg	RRP (ex VAT)	RRP (inc 20% VAT)
<b>Zehnder Klaro</b>								
ZSL-080-045	748	450	white (RAL9016)	354/1208	200	5.4	£114	£136.80
ZSL-080-045-0336	748	450	volcanic	354/1208	200	5.4	£143	£171.60
ZSL-080-045-0523	748	450	beige quartz	354/1208	200	5.4	£143	£171.60
ZSL-080-045-0529	748	450	brown quartz	354/1208	200	5.4	£143	£171.60

**Colour finish:** Standard colours from the Zehnder colour chart. Colour finish and non-stock products delivery: 21 working days

**Suggested valves (to suit pipework from the wall)**

Model		RRP (ex VAT)	RRP (inc 20% VAT)
VAL-SET-2-CR	Contemporary double angled radiator valve set chrome plated	£55	£66.00

See page 26 for additional Klaro sizes, technical information and options, and pages 130 -135 for valve options



ZSL-080

\*1/2" air vent  
† width excludes air vent  
F = flow  
R = return  
Tube: Horizontal  $\varnothing$  23mm  
Vertical  $\varnothing$  38mm

For full **CE** compliant technical specifications, refer to page 139  
To make an approximate conversion from T=50K to T=60K multiply outputs by 1.2

# Zehnder Quaro Spa



The Zehnder Quaro Spa has an elegant square profile and tubes which complement the clean, classic lines of modern cloakroom sanitaryware and taps.



Valves: see page 130



# Zehnder Klaro



Stylish tube-in-tube cloakroom towel warmer, available in White, Volcanic, Beige Quartz and Brown Quartz from stock. Other colours and finishes available in 20 working days.



Valves: see page 130



## Under window towel warmers.

Bath and Shower Rooms come in all different shapes and sizes and sometimes the only wall space available for a towel warmer is under the bathroom window. Here we have a range of wide towel radiators which are just perfect for use when the available height is restricted.



# Zehnder Ax Spa



The eye-catching Ax Spa under window towel warmer is available in a variety of widths and 4 stocked colours. Other sizes and colours are of course available to order.

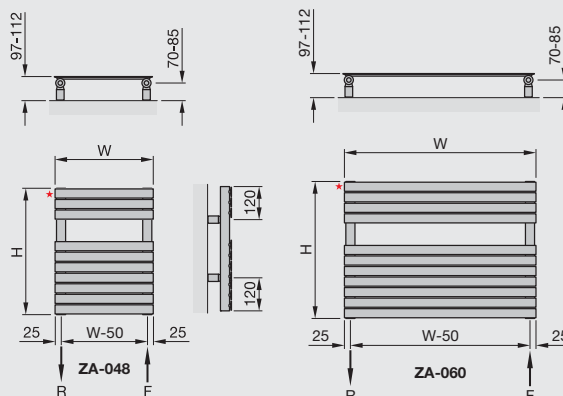


Volcanic

Central Heating Model <b>STOCK</b> listed in black	Height mm	Width mm	Finish	Output $\Delta T=50K$ Watts/btu All outputs certified to EN 442	Electric Immersion Rating Watts	Weight kg	RRP (ex VAT)	RRP (inc 20% VAT)
Zehnder Ax Spa Single tube								
ZA-060-080	575	800	white	458/1563	300	10.2	£345	£414.00
ZA-060-090	575	900	white	515/1757	300	11.3	£388	£465.60
ZA-060-100	575	1000	white	573/1955	300	12.4	£430	£516.00
ZA-060-120	575	1200	white	687/2344	500	14.5	£515	£618.00
ZA-060-080-0336	575	800	volcanic	458/1563	300	10.2	£431	£517.20
ZA-060-090-0336	575	900	volcanic	515/1757	300	11.3	£485	£582.00
ZA-060-080-0523	575	800	beige quartz	458/1563	300	10.2	£431	£517.20
ZA-060-090-0523	575	900	beige quartz	515/1757	300	11.3	£485	£582.00
ZA-060-080-0529	575	800	brown quartz	458/1563	300	10.2	£431	£517.20
ZA-060-090-0529	575	900	brown quartz	515/1757	300	11.3	£485	£582.00

Dual energy: Self fit - (additional cost to central heating model prices). See page 136 for details.

**Colour finish:** Standard colours from the Zehnder colour chart including matt white finish: white RAL 9016 + 25%. Colour finish and non-stock products delivery: 18 working days.



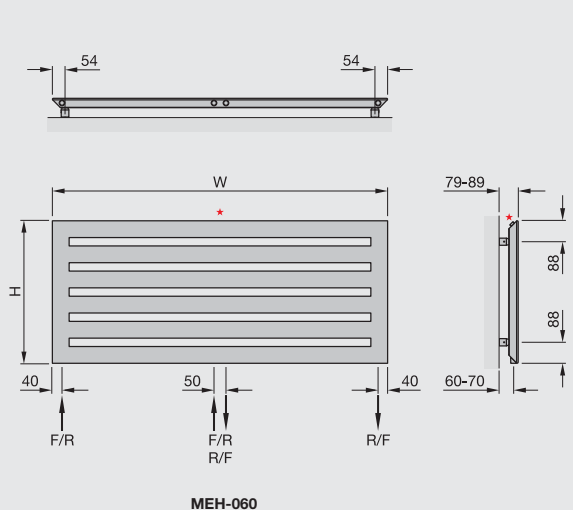
For full compliant technical specifications, refer to page 142  
To make an approximate conversion from T=50K to T=60K multiply outputs by 1.2

UNDER WINDOW TOWEL WARMERS

Central Heating Model STOCK listed in black	Height mm	Width mm	No. of sections	Finish	Output $\Delta T=50K$ Watts/btu All outputs certified to EN 442	Weight kg	RRP (ex VAT)	RRP (inc 20%) VAT
Zehnder Metropolitan horizontal tubes								
MEH-060-090	595	900	6	white	447/1525	10.1	£445	£534.00

**Colour finish:** Standard colours from the Zehnder colour chart including matt white finish: white RAL 9016 + 25%. Colour finish and non-stock products delivery: 20 working days.

MEH accessories			
Model		RRP (ex VAT)	RRP (inc 20% VAT)
468038	Towel-bar for 400 mm width radiator, chrome plated	£91	£109.20
468048	Towel-bar for 500 mm width radiator, chrome plated	£93	£111.60
468058	Towel-bar 600 mm width radiator, two fixing points, chrome plated	£96	£115.20
480438	Set of hooks (2 pcs.), to clip on, chrome plated	£41	£49.20

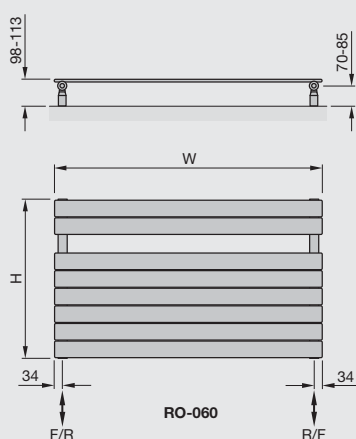


\*1/2" air vent  
 Frame: 70mm x 39mm triangular tubes  
 Flat tubes: 70mm x 8mm  
 F = flow  
 R = return  
 H = height  
 W = width  
 All dimensions in mm

Central Heating Model STOCK listed in black	Height mm	Width mm	Finish	Output $\Delta T=50K$ Watts/btu All outputs certified to EN 442	Electric Immersion Rating Watts	Weight kg	RRP (ex VAT)	RRP (inc 20% VAT)
Zehnder Roda Spa								
RO-060-100	667	1000	white	656/2238	400	14.6	£419	£502.80

Dual Energy: Self Fit - Additional cost to Central Heating model prices see page 136 for details

**Colour finish:** Standard colours from the Zehnder colour chart including matt white finish: white RAL 9016 + 25%. Colour finish and non-stock products delivery: 17 working days.



\*1/8" air vent  
 Width excludes air vent  
 F = flow  
 R = return  
 H = height  
 W = width  
 Tube: Dimesions: 70mm x 11mm  
 Tube: Vertical  $\varnothing$  38mm  
 All dimensions in mm

For full compliant technical specifications, refer to page 142  
 To make an approximate conversion from T=50K to T=60K multiply outputs by 1.2



# Zehnder Metropolitan



The geometric Metropolitan is sleek and attractive. The air vents and connections are neatly hidden to maintain the purity of the modern design. Why not add an optional towel bar for more towel hanging space?



White Quartz

# Zehnder Roda Spa



High output and stylish practicality combined make the Roda Spa under window radiator the perfect solution for bathrooms with angular fittings.



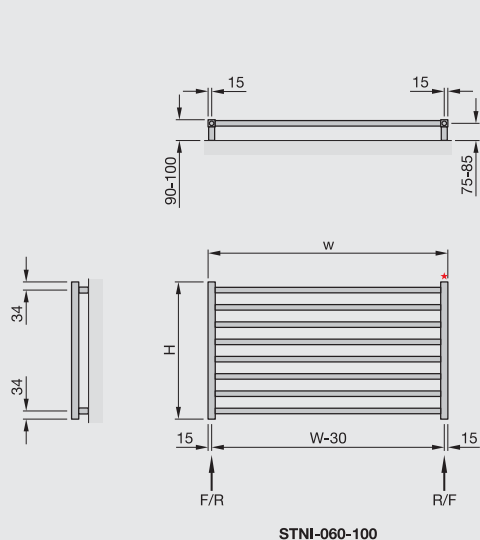
UNDER WINDOW TOWEL WARMERS

Stainless Steel <b>STOCK</b> listed in black	Height mm	Width mm	Finish	Output $\Delta T=50K$ Watts/btu All outputs certified to EN 442	Electric Immersion Rating Watts	Weight kg	RRP (ex VAT)	RRP (inc 20% VAT)
--	--------------	-------------	--------	--	--	--------------	-----------------	-------------------------

Zehnder Stellar Stainless Steel								
<b>STNI-060-100</b>	572	1000	s/steel polished	284/970	200	5.8	<b>£405</b>	<b>£486.00</b>

Dual Energy: Self Fit - Additional cost to Central Heating model prices see page 136 for details

**Colour finish:** Standard colours from the Zehnder colour chart. Delivery of colour finish and non-stock products: 21 working days.



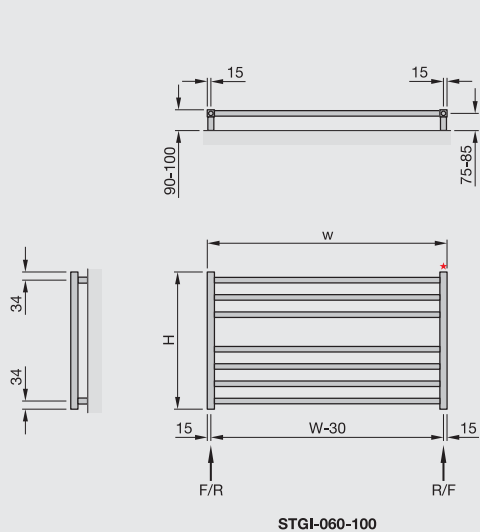
\*1/2" air vent  
Height excludes air vent  
F = flow  
R = return  
H = height  
W = width  
Tube: Horizontal  $\varnothing$  23mm  
Tube: Vertical 30x30mm  
All dimensions in mm

Stainless Steel <b>STOCK</b> listed in black	Height mm	Width mm	Finish	Output $\Delta T=50K$ Watts/btu All outputs certified to EN 442	Electric Immersion Rating Watts	Weight kg	RRP (ex VAT)	RRP (inc 20% VAT)
--	--------------	-------------	--------	--	--	--------------	-----------------	-------------------------

Zehnder Stellar Spa Stainless Steel								
<b>STGI-060-100</b>	572	1000	s/steel polished	272/928	150	5.3	<b>£375</b>	<b>£450.00</b>

Dual Energy: Self Fit - Additional cost to Central Heating model prices see page 136 for details

**Colour finish:** Standard colours from the Zehnder colour chart. Delivery of colour finish and non-stock products: 21 working days.



\*1/2" air vent  
Height excludes air vent  
F = flow  
R = return  
H = height  
W = width  
Tube: Horizontal  $\varnothing$  23mm  
Tube: Vertical 30x30mm  
All dimensions in mm

For full compliant technical specifications, refer to pages 143 and 145  
To make an approximate conversion from T=50K to T=60K multiply outputs by 1.2

# Zehnder Stellar & Stellar Spa



If you need an under window towel warmer for a wet room then the stainless steel Stellar or Stellar Spa could fit the bill. The simple, contemporary lines make them the ideal solution for minimalist wet room and bathroom designs.



Valves: see page 130





## Heated towel rails for bathrooms heat at its most attractive.

Zehnder's designer radiators not only make homes warmer, they add an unmistakable look and feel. This is hardly surprising, as they are the work of well-known designers. Performance is of course also a key factor. Thanks to Zehnder's ability to combine style and functionality, you can be absolutely sure that our radiators will be up to the mark in your bathrooms, kitchens and cloakrooms, as well as in those areas of the home dedicated to exercise or hobbies.

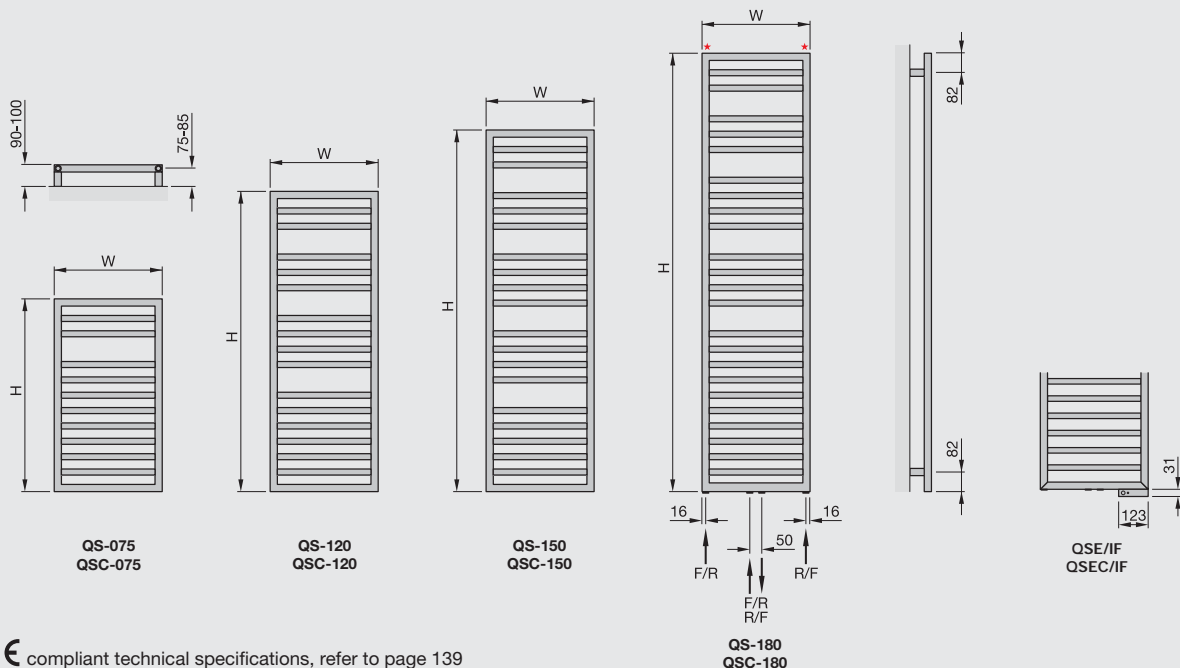


HEATED TOWEL RAILS FOR BATHROOMS

Central Heating Model <b>STOCK</b> listed in black	Height mm	Width mm	Finish	Output $\Delta T=50K$ Watts/Btu All outputs certified to EN 442	Electric Immersion Rating Watts	Weight kg	RRP (ex VAT)	RRP (inc 20% VAT)
<b>Zehnder Quaro Spa</b>								
QS-075-045	803	450	white	332 /1133	200	7.5	£170	£204.00
QS-120-045	1251	450	white	493/ 1682	300	10.3	£185	£222.00
QS-120-055	1251	550	white	580 /1979	400	12.0	£209	£250.80
QS-150-045	1507	450	white	588 /2006	400	11.9	£222	£266.40
QS-150-055	1507	550	white	694 /2368	500	14.0	£245	£294.00
QS-180-055	1827	550	white	851 /2904	600	16.9	£278	£333.60
QS-075-045-0346	803	450	anthracite	332 /1133	200	7.5	£213	£255.60
QS-120-045-0346	1251	450	anthracite	493 /1682	300	10.3	£231	£277.20
QS-120-055-0346	1251	550	anthracite	580 /1979	400	12.0	£261	£313.20
QS-150-045-0346	1507	450	anthracite	588 /2006	400	11.9	£278	£333.60
QS-150-055-0346	1507	550	anthracite	694/ 2368	500	14.0	£306	£367.20
QS-180-055-0346	1827	550	anthracite	851 /2904	600	16.9	£348	£417.60
QS-075-045-0523	803	450	beige quartz	332 /1133	200	7.5	£213	£255.60
QS-120-045-0523	1251	450	beige quartz	493 /1682	300	10.3	£231	£277.20
QS-120-055-0523	1251	550	beige quartz	580 /1979	400	12.0	£261	£313.20
QS-150-045-0523	1507	450	beige quartz	588 /2006	400	11.9	£278	£333.60
QS-150-055-0523	1507	550	beige quartz	694/ 2368	500	14.0	£306	£367.20
QS-180-055-0523	1827	550	beige quartz	851 /2904	600	16.9	£348	£417.60
QSC-075-045	803	450	chrome	206 /703	150	7.1	£379	£454.80
QSC-120-045	1251	450	chrome	313 /1068	200	9.8	£485	£582.00
QSC-120-055	1251	550	chrome	376/ 1283	300	11.6	£538	£645.60
QSC-150-045	1507	450	chrome	371/ 1266	300	11.3	£595	£714.00
QSC-150-055	1507	550	chrome	443 /1512	300	13.4	£640	£768.00
QSC-180-055	1827	550	chrome	544 /1856	400	16.1	£725	£870.00

Electric Heating Model	Height mm	Width mm	Finish	Electric Immersion Rating Watts with Safir Class II, IPX4 Zone 1 bath, Zone 2 shower	Weight kg	RRP (ex VAT)	RRP (inc 20% VAT)
<b>Zehnder Quaro Spa Electric</b>							
QSE-075-045/IF	833	450	white	300	11.3	£420	£504.00
QSE-120-045/IF	1281	450	white	300	15.4	£435	£522.00
QSE-120-055/IF	1281	550	white	500	17.8	£459	£550.80
QSE-150-045/IF	1537	450	white	500	17.9	£472	£566.40
QSE-150-055/IF	1537	550	white	600	20.8	£495	£594.00
QSE-180-055/IF	1857	550	white	750	25.1	£528	£633.60
QSEC-120-045/IF	1281	450	chrome	300	14.9	£735	£882.00
QSEC-120-055/IF	1281	550	chrome	300	17.4	£788	£945.60
QSEC-150-045/IF	1537	450	chrome	300	17.3	£845	£1,014.00
QSEC-150-055/IF	1537	550	chrome	300	20.2	£890	£1,068.00
QSEC-180-055/IF	1857	550	chrome	500	24.3	£975	£1,170.00

**Colour finish:** Standard colours from the Zehnder colour chart including matt white finish: white RAL 9016 + 25%. Colour finish and non-stock products delivery: 20 working days.



For full **CE** compliant technical specifications, refer to page 139  
To make an approximate conversion from T=50K to T=60K multiply outputs by 1.2

# Zehnder Quaro Spa



The new Zehnder Quaro Spa has an elegant square profile frame and horizontal heating pipes. Beautifully designed with clarity and simplicity, even the right-angled wall brackets look cool! Generously spaced tubes give plenty of room for warming fluffy towels. Available in chrome and 3 stocked colours, as well as over 50 colours to order. Also available in electric and stainless steel versions.



Flame Red



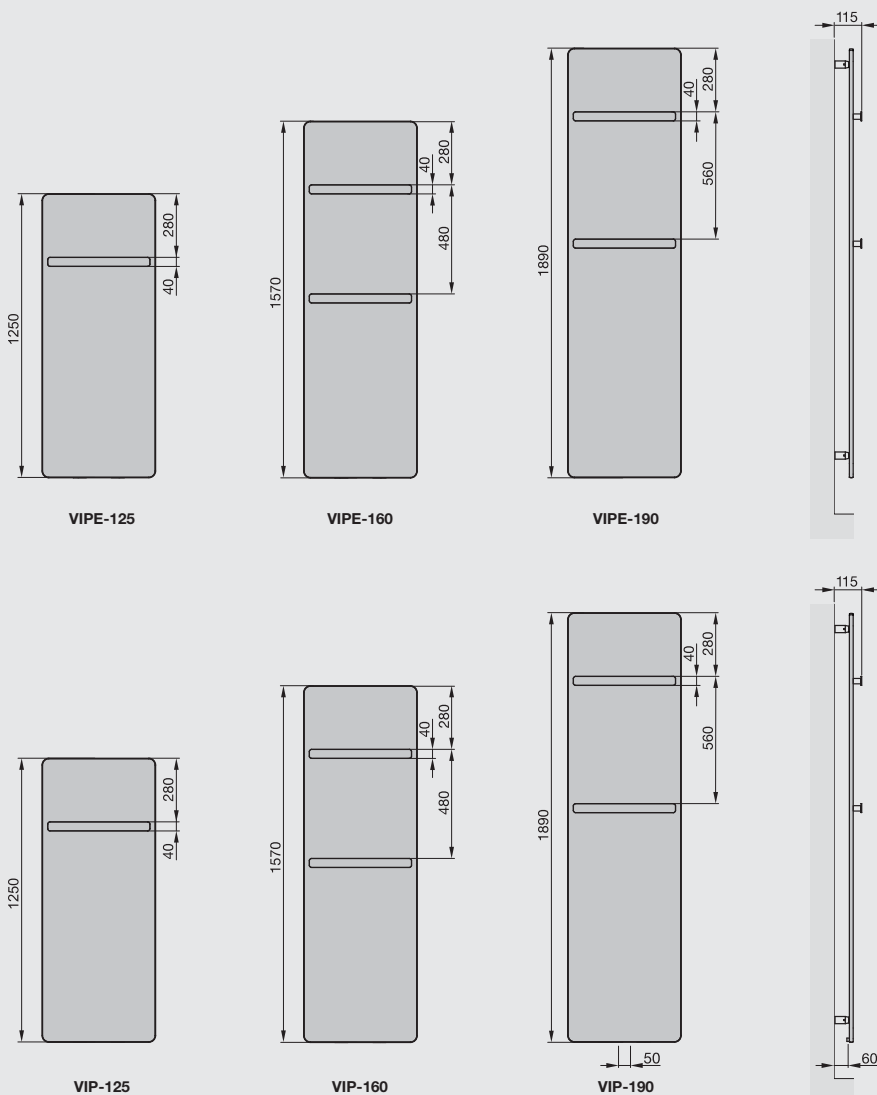
Volcanic

Central Heating Model <b>STOCK</b> listed in black	Height mm	Width mm	Finish	Output $\Delta T=50K$ Watts/Btu All outputs certified to EN 442	Weight kg	RRP (ex VAT)	RRP (inc 20% VAT)
<b>Zehnder Vitalo Bar</b>							
VIP-125-040	1250	400	white	465/1586	7.0	£492	£590.40
VIP-125-050	1250	500	white	555/1893	8.7	£515	£618.00
VIP-125-060	1250	600	white	641/2186	10.5	£540	£648.00
VIP-160-040	1570	400	white	546/1862	9.3	£580	£696.00
VIP-160-050	1570	500	white	676/2305	11.4	£599	£718.80
VIP-160-060	1570	600	white	806/2748	13.6	£620	£744.00
VIP-190-040	1890	400	white	673/2295	10.9	£602	£722.40
VIP-190-050	1890	500	white	834/2844	12.7	£641	£769.20
VIP-190-060	1890	600	white	994/3390	14.6	£657	£788.40

Electric Heating Model	Height mm	Width mm	Finish	Electric Immersion Rating Watts with Safir Class II, IPX4 Zone 1 bath, Zone 2 shower	Weight kg	RRP (ex VAT)	RRP (inc 20% VAT)
<b>Zehnder Vitalo Bar Electric</b>							
VIPE-125-040/FF	1250	400	white	350	7.5	£628	£753.60
VIPE-160-040/FF	1570	400	white	500	10.0	£710	£852.00
VIPE-160-050/FF	1570	500	white	500	12.0	£726	£871.20
VIPE-190-040/FF	1890	400	white	500	12.0	£718	£861.60
VIPE-190-050/FF	1890	500	white	750	14.0	£763	£915.60
VIPE-190-060/FF	1890	600	white	1000	16.0	£809	£970.80

**Colour finish:** Standard colours from the Zehnder colour chart including matt white finish: white RAL 9016 + 25%. Colour finish and non-stock products delivery: 20 working days.

Suitable for all low temperature systems, heat pumps and condensing boilers, open and closed systems (<80°C)



The aluminium honeycomb structure, with its meandering copper pipe, is filled with graphite, enabling heat to be distributed throughout the entire front of the radiator quickly and evenly. Suitable for all low temperature systems, heat pumps, condensing boilers, open or closed heating systems.

\*1/2" air vent  
Height includes air vent  
F = flow  
R = return  
H = height  
W = width  
All dimensions in mm

For full CE compliant technical specifications, refer to page 139  
To make an approximate conversion from T=50K to T=60K multiply outputs by 1.2



# Zehnder Vitalo Bar



The Zehnder Vitalo Bar has an incredibly slim 16mm profile and is manufactured from corrosion-resistant, top quality materials. Designed by King & Miranda, the Vitalo Bar is quick-responding, economical and gives a pleasant radiant heat via its innovative, award-winning construction.



Violet



White Aluminium



Beige Quartz



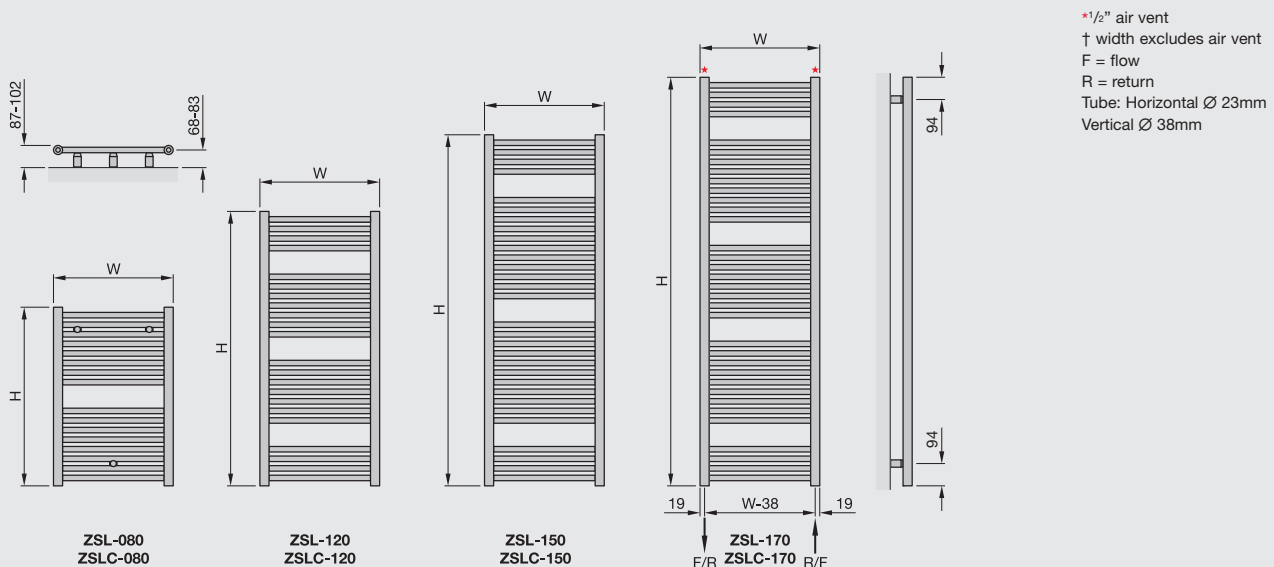
Caramel Quartz

HEATED TOWEL RAILS FOR BATHROOMS

Central Heating Model STOCK listed in black	Height mm	Width mm	Finish	Output $\Delta T=50K$ Watts/btu All outputs certified to EN 442	Electric Immersion Rating Watts	Weight kg	RRP (ex VAT)	RRP (inc 20% VAT)
<b>Zehnder Klaro</b>								
ZSL-080-045	748	450	white	354/1208	200	5.4	£114	£136.80
ZSL-080-050	748	500	white	388/1324	200	5.6	£117	£140.40
ZSL-080-060	748	600	white	455/1552	300	6.7	£126	£151.20
ZSL-120-045	1148	450	white	521/1778	300	8.1	£135	£162.00
ZSL-120-050	1148	500	white	571/1948	400	8.7	£138	£165.60
ZSL-120-060	1148	600	white	670/2286	500	9.8	£150	£180.00
ZSL-150-050	1466	500	white	716/2443	500	10.9	£172	£206.40
ZSL-150-060	1466	600	white	839/2863	500	12.3	£181	£217.20
ZSL-170-050	1708	500	white	824/2811	500	12.2	£193	£231.60
ZSL-170-060	1708	600	white	966/3296	600	14.2	£198	£237.60
ZSL-080-045-0336	748	450	volcanic	354/1208	200	5.4	£143	£171.60
ZSL-120-050-0336	1148	500	volcanic	571/1948	400	8.7	£173	£207.60
ZSL-120-060-0336	1148	600	volcanic	670/2286	500	9.8	£188	£225.60
ZSL-150-050-0336	1466	500	volcanic	716/2443	500	10.9	£215	£258.00
ZSL-150-060-0336	1466	600	volcanic	839/2863	500	12.3	£226	£271.20
ZSL-170-050-0336	1708	500	volcanic	824/2811	500	12.2	£241	£289.20
ZSL-170-060-0336	1708	600	volcanic	966/3296	600	14.2	£248	£297.60
ZSL-080-045-0523	748	450	beige quartz	354/1208	200	5.4	£143	£171.60
ZSL-120-050-0523	1148	500	beige quartz	571/1948	400	8.7	£173	£207.60
ZSL-120-060-0523	1148	600	beige quartz	670/2286	500	9.8	£188	£225.60
ZSL-150-050-0523	1466	500	beige quartz	716/2443	500	10.9	£215	£258.00
ZSL-150-060-0523	1466	600	beige quartz	839/2863	500	12.3	£226	£271.20
ZSL-170-050-0523	1708	500	beige quartz	824/2811	500	12.2	£241	£289.20
ZSL-170-060-0523	1708	600	beige quartz	966/3296	600	14.2	£248	£297.60
ZSL-080-045-0529	748	450	brown quartz	354/1208	200	5.4	£143	£171.60
ZSL-120-050-0529	1148	500	brown quartz	571/1948	400	8.7	£173	£207.60
ZSL-120-060-0529	1148	600	brown quartz	670/2286	500	9.8	£188	£225.60
ZSL-150-050-0529	1466	500	brown quartz	716/2443	500	10.9	£215	£258.00
ZSL-150-060-0529	1466	600	brown quartz	839/2863	500	12.3	£226	£271.20
ZSL-170-050-0529	1708	500	brown quartz	824/2811	500	12.2	£241	£289.20
ZSL-170-060-0529	1708	600	brown quartz	966/3296	600	14.2	£248	£297.60
ZSLC-080-050	748	500	chrome	283/966	200	5.8	£253	£303.60
ZSLC-080-060	748	600	chrome	332/1133	200	6.7	£275	£330.00
ZSLC-120-050	1148	500	chrome	417/1423	300	8.7	£324	£388.80
ZSLC-120-060	1148	600	chrome	489/1668	300	9.8	£351	£421.20
ZSLC-150-050	1466	500	chrome	475/1621	300	10.5	£416	£499.20
ZSLC-150-060	1466	600	chrome	560/1911	400	12.1	£450	£540.00
ZSLC-170-050	1708	500	chrome	601/2050	400	12.2	£480	£576.00
ZSLC-170-060	1708	600	chrome	705/2405	500	14.2	£520	£624.00

**⚡** Dual Energy: Self Fit - Additional cost to Central Heating model prices see page 136 for details

**🎨** Colour finish: Standard colours from the Zehnder colour chart including matt white finish: white RAL 9016 + 25%. Colour finish and non-stock products delivery: 20 working days.



For full **CE** compliant technical specifications, refer to page 139  
To make an approximate conversion from T=50K to T=60K multiply outputs by 1.2

# Zehnder Klaro



Affordable style combined with simplicity, suitable for central heating systems or with an immersion heater for summer use when the central heating is turned off.



Chrome



Valves: see page 130



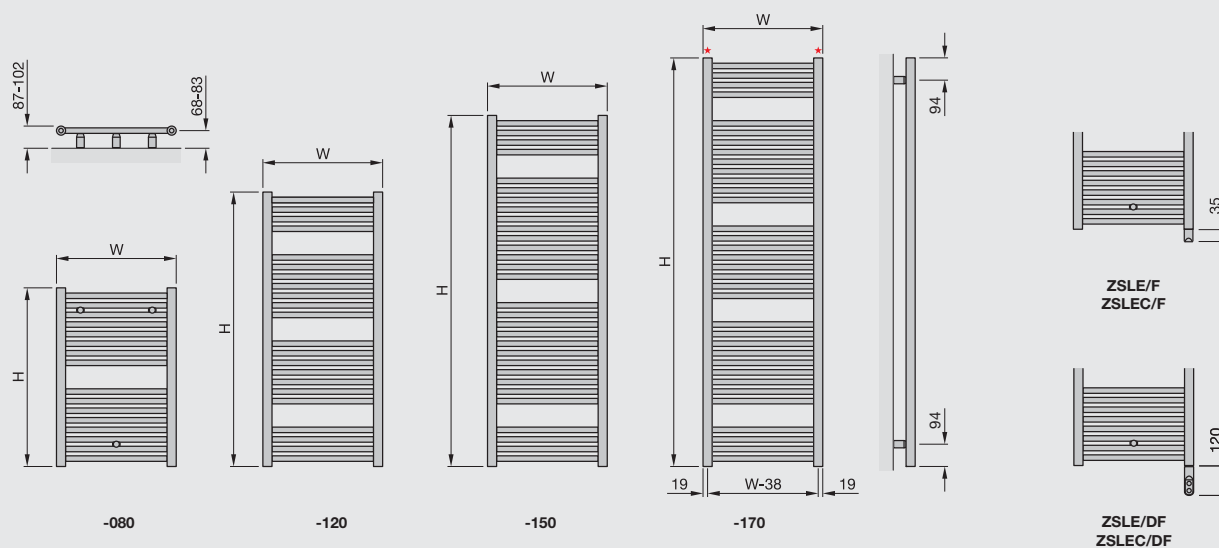
Height mm	Width mm	Finish	Weight kg	Simple electric immersion heater Class II IPX4 Zones 1 and 2				DBM immersion heater Class II IPX4 Zones 1 and 2			
				Model STOCK listed in black	Electric rating	RRP (ex VAT)	RRP (inc 20% VAT)	Model STOCK listed in black	Electric rating	RRP (ex VAT)	RRP (inc 20% VAT)
⚡ Zehnder Klaro electric only models (with a choice of either a simple immersion heater (no controls) or the DBM immersion heater)											
748	450	white	9.00	ZSLE-080-045/F	200	£231	£277.20	ZSLE-080-045/DF	300	£285	£342.00
748	500	white	9.66	ZSLE-080-050/F	400	£234	£280.80	ZSLE-080-050/DF	300	£288	£345.60
748	600	white	11.00	ZSLE-080-060/F	400	£242	£290.40	ZSLE-080-060/DF	300	£296	£355.20
1148	500	white	14.53	ZSLE-120-050/F	400	£255	£306.00	ZSLE-120-050/DF	500	£309	£370.80
1148	600	white	16.43	ZSLE-120-060/F	500	£268	£321.60	ZSLE-120-060/DF	600	£322	£386.40
1708	500	white	20.67	ZSLE-170-050/F	600	£310	£372.00	ZSLE-170-050/DF	750	£364	£436.80
1708	600	white	23.80	ZSLE-170-060/F	600	£316	£379.20	ZSLE-170-060/DF	900	£370	£444.00
748	500	chrome	9.66	ZSLEC-080-050/F	200	£337	£404.40	ZSLEC-080-050/DF	200	£416	£499.20
748	600	chrome	11.00	ZSLEC-080-060/F	200	£358	£429.60	ZSLEC-080-060/DF	300	£437	£524.40
1148	500	chrome	14.53	ZSLEC-120-050/F	400	£400	£480.00	ZSLEC-120-050/DF	300	£479	£574.80
1148	600	chrome	16.43	ZSLEC-120-060/F	400	£422	£506.40	ZSLEC-120-060/DF	300	£501	£601.20
1708	500	chrome	20.67	ZSLEC-170-050/F	400	£534	£640.80	ZSLEC-170-050/DF	500	£613	£735.60
1708	600	chrome	23.80	ZSLEC-170-060/F	500	£569	£682.80	ZSLEC-170-060/DF	600	£648	£777.60

The immersion heater is fitted to the right hand header.

**Note:** Height does not include the immersion heater. (See diagrams below)

**Colour finish:** Standard colours from the Zehnder colour chart including matt white finish: white RAL 9016 + 25%. Colour finish and non-stock products delivery: 20 working days.

H = height  
W = width  
Tube: Horizontal Ø 23mm  
Tube: Vertical Ø 38mm  
All dimensions in mm



# Zehnder Klaro



The Zehnder Klaro electric range with its choice of immersion heaters and availability of colours offers a flexible solution to your bathroom heating requirements.



Volcanic



Central Heating Model STOCK listed in black	Height mm	Width mm	Finish	Output $\Delta T=50K$ Watts/btu All outputs certified to EN 442	Electric Immersion Rating Watts	Weight kg	RRP (ex VAT)	RRP (inc 20% VAT)
<b>Zehnder Subway</b>								
SUB-060-045	613	450	white	310/1058	200	5.2	£166	£199.20
SUB-100-045	973	450	white	401/1368	300	6.7	£179	£214.80
SUB-100-060	973	600	white	499/1703	300	8.3	£194	£232.80
SUB-130-045	1261	450	white	509/1737	300	8.6	£198	£237.60
SUB-130-060	1261	600	white	639/2180	400	10.5	£220	£264.00
SUB-150-045	1549	450	white	615/2098	400	10.6	£231	£277.20
SUB-150-060	1549	600	white	772/2634	500	12.5	£257	£308.40
SUB-180-045	1837	450	white	715/2440	500	12.2	£261	£313.20
SUB-180-060	1837	600	white	898/3064	600	14.7	£289	£346.80
SUBC-060-045	613	450	chrome	205/699	100	5.0	£361	£433.20
SUBC-100-045	973	450	chrome	265/904	200	6.5	£463	£555.60
SUBC-100-060	973	600	chrome	329/1123	200	8.1	£524	£628.80
SUBC-130-045	1261	450	chrome	335/1143	200	8.4	£525	£630.00
SUBC-130-060	1261	600	chrome	406/1385	300	10.2	£582	£698.40
SUBC-150-045	1549	450	chrome	420/1433	300	10.1	£619	£742.80
SUBC-150-060	1549	600	chrome	508/1733	300	12.3	£688	£825.60
SUBC-180-045	1837	450	chrome	485/1655	300	11.8	£692	£830.40
SUBC-180-060	1837	600	chrome	592/2020	400	14.3	£771	£925.20

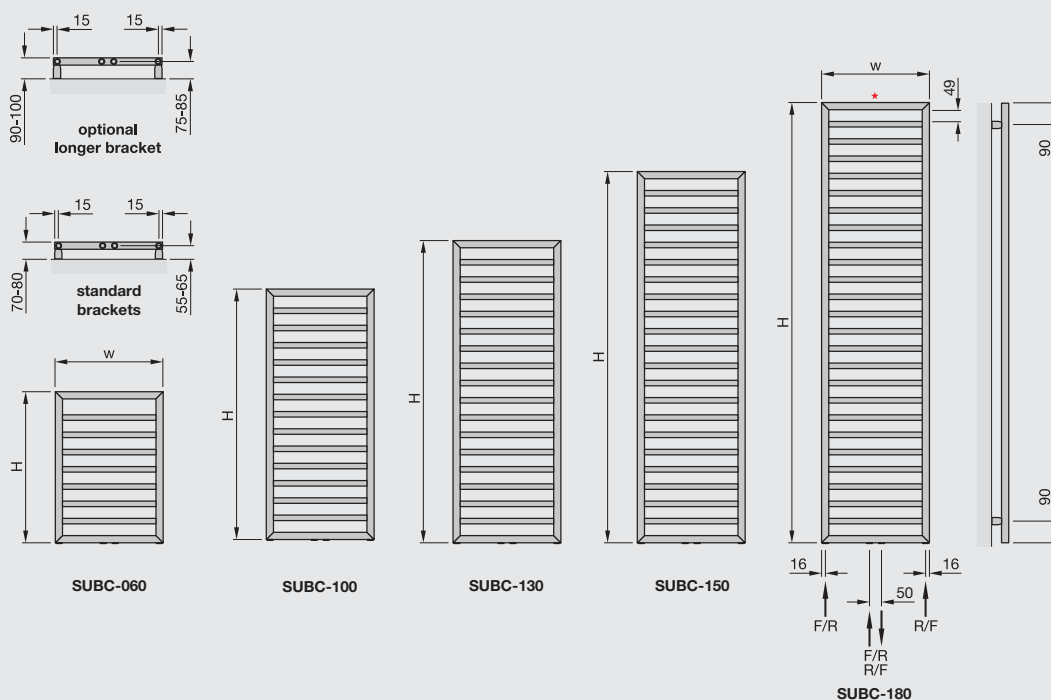
**Dual Energy:** Self Fit - Additional cost to Central Heating model prices. See page 136 for details

**Colour finish:** Standard colours from the Zehnder colour chart including matt white finish: white RAL 9016 + 25%. Colour finish and non-stock products delivery: 20 working days.

**Optional wall brackets: Increases space behind rail by 20mm**

Model		RRP (ex VAT)	RRP (inc 20% VAT)
952111	Subway SUB extended bracket kit. White finish.	£38	£45.60
952118	Subway SUBC extended bracket kit. Chrome finish.	£38	£45.60
952119	Subway SUB extended bracket kit. Colour finish.	£38	£45.60

\*1/2" air vent  
 Height excludes air vent  
 F = flow  
 R = return  
 H = height  
 W = width  
 Tube: Horizontal  $\varnothing$  23mm  
 Tube: Vertical 30x30mm  
 All dimensions in mm



For full **CE** compliant technical specifications, refer to page 140  
 To make an approximate conversion from T=50K to T=60K multiply outputs by 1.2

# Zehnder Subway



The elegance and simplicity of the white and chrome Zehnder Subway are popular choices for modern bathrooms.



Sand Quartz



Stainless Steel: see page 68



Valves: see page 130



Central Heating Model STOCK listed in black	Height mm	Width mm	Finish	Output $\Delta T=50K$ Watts/btu All outputs certified to EN 442	Electric Immersion Rating Watts	Weight kg	RRP (ex VAT)	RRP (inc 20% VAT)
<b>Zehnder Subway</b>								
SUB-060-045-0336	613	450	volcanic	310/1058	200	5.2	£208	£249.60
SUB-100-045-0336	973	450	volcanic	401/1368	300	6.7	£224	£268.80
SUB-100-060-0336	973	600	volcanic	499/1703	300	8.3	£243	£291.60
SUB-130-045-0336	1261	450	volcanic	509/1737	300	8.6	£248	£297.60
SUB-130-060-0336	1261	600	volcanic	639/2180	400	10.5	£275	£330.00
SUB-150-060-0336	1549	600	volcanic	772/2634	500	12.5	£321	£385.20
SUB-180-045-0336	1837	450	volcanic	715/2440	500	14.7	£326	£391.20
SUB-060-045-0523	613	450	beige quartz	310/1058	200	5.2	£208	£249.60
SUB-100-045-0523	973	450	beige quartz	401/1368	300	6.7	£224	£268.80
SUB-100-060-0523	973	600	beige quartz	499/1703	300	8.3	£243	£291.60
SUB-130-045-0523	1261	450	beige quartz	509/1737	300	8.6	£248	£297.60
SUB-130-060-0523	1261	600	beige quartz	639/2180	400	10.5	£275	£330.00
SUB-150-060-0523	1549	600	beige quartz	772/2634	500	12.5	£321	£385.20
SUB-180-045-0523	1837	450	beige quartz	715/2440	500	14.7	£326	£391.20
SUB-060-045-0529	613	450	brown quartz	310/1058	200	5.2	£208	£249.60
SUB-100-045-0529	973	450	brown quartz	401/1368	300	6.7	£224	£268.80
SUB-100-060-0529	973	600	brown quartz	499/1703	300	8.3	£243	£291.60
SUB-130-045-0529	1261	450	brown quartz	509/1737	300	8.6	£248	£297.60
SUB-130-060-0529	1261	600	brown quartz	639/2180	400	10.5	£275	£330.00
SUB-150-060-0529	1549	600	brown quartz	772/2634	500	12.5	£321	£385.20
SUB-180-045-0529	1837	450	brown quartz	715/2440	500	14.7	£326	£391.20
SUB-060-045-0335	613	450	titane	310/1058	200	5.2	£208	£249.60
SUB-100-045-0335	973	450	titane	401/1368	300	6.7	£224	£268.80
SUB-100-060-0335	973	600	titane	499/1703	300	8.3	£243	£291.60
SUB-130-045-0335	1261	450	titane	509/1737	300	8.6	£248	£297.60
SUB-130-060-0335	1261	600	titane	639/2180	400	10.5	£275	£330.00
SUB-150-060-0335	1549	600	titane	772/2634	500	12.5	£321	£385.20
SUB-180-045-0335	1837	450	titane	715/2440	500	14.7	£326	£391.20

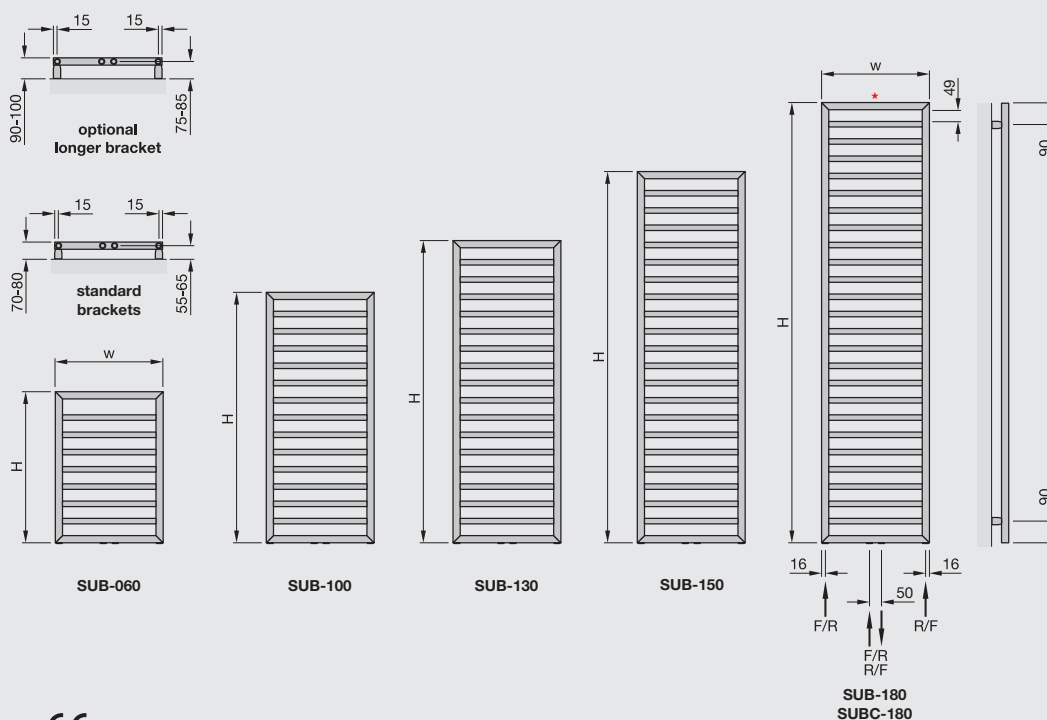
**Dual Energy:** Self Fit - Additional cost to Central Heating model prices. See page 136 for details

**Colour finish:** Standard colours from the Zehnder colour chart including matt white finish: white RAL 9016 + 25%. Colour finish and non-stock products delivery: 20 working days.

**Optional wall brackets: Increases space behind rail by 20mm**

Model	RRP (ex VAT)	RRP (inc 20% VAT)
952119 Subway SUB extended bracket kit. Colour finish.	£38	£45.60

\*1/2" air vent  
 Height excludes air vent  
 F = flow  
 R = return  
 H = height  
 W = width  
 Tube: Horizontal  $\varnothing$  23mm  
 Tube: Vertical 30x30mm  
 All dimensions in mm



For full **CE** compliant technical specifications, refer to page 140  
 To make an approximate conversion from T=50K to T=60K multiply outputs by 1.2



# Zehnder Subway



With its classic lines and broad appeal, the contemporary Zehnder Subway towel rail offers comfort and superb design in colour finishes, chrome and stainless steel.



Beige Quartz



Brown Quartz



Valves: see page 130



Electric Heating Model <b>STOCK</b> listed in black	Height mm	Width mm	Finish	Simple Electric Immersion heater Rating Watts Class II IPX4 Zones 1 and 2	Weight kg	RRP (ex VAT)	RRP (inc 20% VAT)
<b>⚡</b> Zehnder Subway Electric							
SUBE-130-045/F	1261	450	white	500	13.1	£269	£322.80
SUBE-150-045/F	1549	450	white	600	16.0	£312	£374.40
SUBE-150-060/F	1549	600	white	750	19.7	£340	£408.00
SUBE-180-060/F	1837	600	white	900	22.4	£378	£453.60
SUBEC-130-045/F	1261	450	chrome	300	12.9	£616	£739.20
SUBEC-150-045/F	1549	450	chrome	300	15.5	£719	£862.80
SUBEC-150-060/F	1549	600	chrome	500	19.5	£796	£955.20
SUBEC-180-060/F	1837	600	chrome	600	22.0	£885	£1,062.00

Electric Heating Model	Height mm	Width mm	Finish	Electric Immersion Rating Watts with Safir Class II, IPX4 Zone 1 bath, Zone 2 shower	Weight kg	RRP (ex VAT)	RRP (inc 20% VAT)
<b>⚡</b> Zehnder Subway Electric							
SUBE-130-045/IF	1261	450	white	500	12.6	£486	£583.20
SUBE-150-045/IF	1549	450	white	600	15.3	£531	£637.20
SUBE-150-060/IF	1549	600	white	750	18.3	£584	£700.80
SUBE-180-060/IF	1837	600	white	900	21.3	£636	£763.20
SUBEC-130-045/IF	1351	450	chrome	300	12.6	£859	£1,030.80
SUBEC-150-045/IF	1549	450	chrome	300	15.3	£998	£1,197.60
SUBEC-150-060/IF	1549	600	chrome	500	18.3	£1,098	£1,317.60
SUBEC-180-060/IF	1837	600	chrome	600	21.3	£1,197	£1,436.40

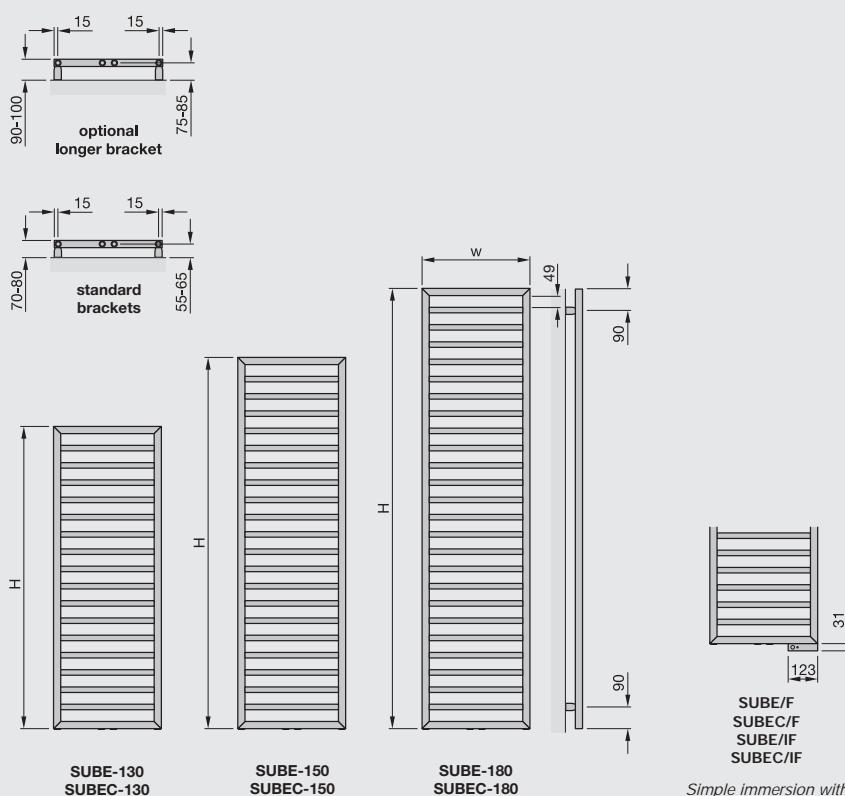
Simple Electric Immersion heating has Safir casing without infra red control included.

The immersion heater is fitted to the right hand header.

**Note:** Height does not include the immersion heater. (See diagrams below)

**🎨 Colour finish:** Standard colours from the Zehnder colour chart including matt white finish: white RAL 9016 + 25%. Colour finish and non-stock products delivery: 20 working days.

H = height  
W = width  
Tube: Horizontal Ø 23mm  
Tube: Vertical 30x30mm  
All dimensions in mm



# Zehnder Subway



The simple elegance of the Subway in its electric form is maintained with either the infra-red receiver or a simple immersion heater.



Stainless Steel: see page 68



Safir Infra-red electric immersion heater control unit see page 137



Central Heating Model STOCK listed in black	Height mm	Width mm	Finish	Output $\Delta T=50K$ Watts/btu All outputs certified to EN 442	Electric Immersion Rating Watts	Weight kg	RRP (ex VAT)	RRP (inc 20% VAT)
<b>🔥</b> Zehnder Sfera Bow <b>NEW</b> anthracite and beige quartz finish now stocked								
SH-086-050	859	498	white	460/1569	300	8.0	£168	£201.60
SH-086-060	859	593	white	554/1890	300	9.2	£190	£228.00
SH-126-050	1255	498	white	710/2423	500	12.5	£194	£232.80
SH-126-060	1255	593	white	850/2900	600	14.4	£215	£258.00
SH-175-050	1750	498	white	946/3228	600	17.3	£258	£309.60
SH-175-060	1750	593	white	1126/3841	750	19.8	£282	£338.40
SH-086-050-0346	859	498	anthracite	460/1569	300	8.0	£210	£252.00
SH-086-060-0346	859	593	anthracite	554/1890	300	9.2	£238	£285.60
SH-126-050-0346	1255	498	anthracite	710/2423	500	12.5	£243	£291.60
SH-126-060-0346	1255	593	anthracite	850/2900	600	14.4	£269	£322.80
SH-175-050-0346	1750	498	anthracite	946/3228	600	17.3	£323	£387.60
SH-175-060-0346	1750	593	anthracite	1126/3841	750	19.8	£353	£423.60
SH-086-050-0523	859	498	beige quartz	460/1569	300	8.0	£210	£252.00
SH-086-060-0523	859	593	beige quartz	554/1890	300	9.2	£238	£285.60
SH-126-050-0523	1255	498	beige quartz	710/2423	500	12.5	£243	£291.60
SH-126-060-0523	1255	593	beige quartz	850/2900	600	14.4	£269	£322.80
SH-175-050-0523	1750	498	beige quartz	946/3228	600	17.3	£323	£387.60
SH-175-060-0523	1750	593	beige quartz	1126/3841	750	19.8	£353	£423.60
SHC-086-050	859	498	chrome	316/1078	200	8.0	£317	£380.40
SHC-086-060	859	593	chrome	350/1194	200	9.2	£358	£429.60
SHC-126-050	1255	498	chrome	476/1624	300	12.5	£384	£460.80
SHC-126-060	1255	593	chrome	573/1955	300	14.4	£430	£516.00
SHC-175-050	1750	498	chrome	650/2218	500	17.3	£551	£661.20
SHC-175-060	1750	593	chrome	775/2644	500	19.8	£617	£740.40

**⚡** Dual Energy: Self Fit - Additional cost to Central Heating model: see page 136 for details

Height mm	Width mm	Finish	Weight kg	Simple electric immersion heater Class II IPX4 Zones 1 and 2				Electric Immersion Rating Watts with Safir Class II, IPX4 Zone 1 bath, Zone 2 shower			
				Model	Electric rating	RRP (ex VAT)	RRP (inc 20% VAT)	Model	Electric rating	RRP (ex VAT)	RRP (inc 20% VAT)

**⚡** Zehnder Sfera Bow electric only models with a choice of either a simple immersion heater (no controls) or the Safir remote thermostatic controller.

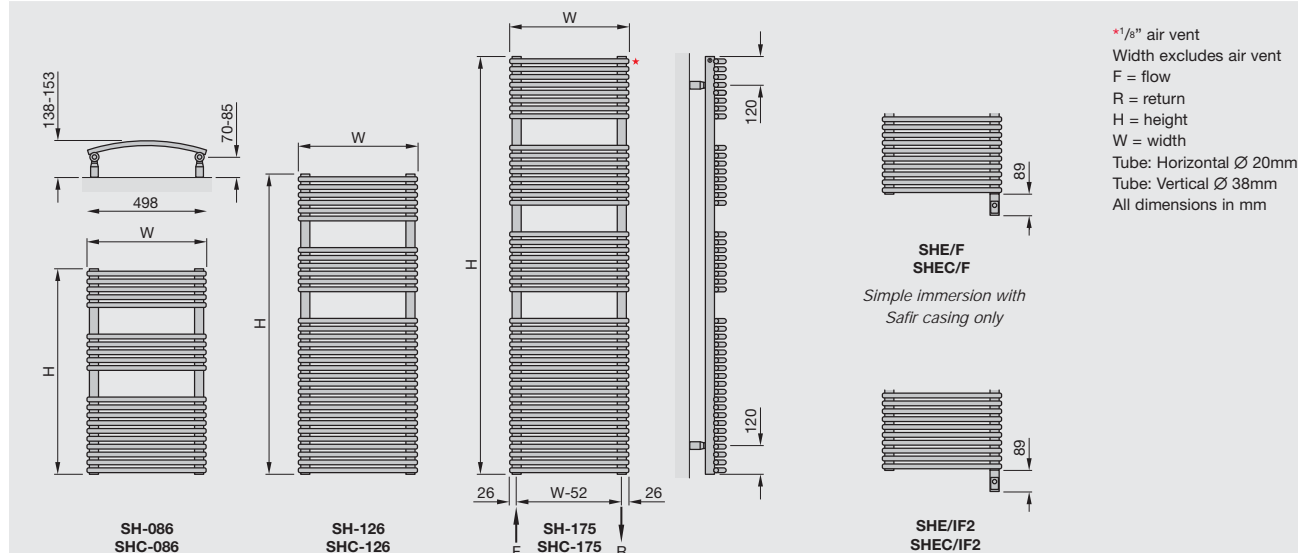
859	498	white	13	SHE-086-050/F	300	£207	£248.40	SHE-086-050/IF2	300	£258	£309.60
859	593	white	15	SHE-086-060/F	300	£228	£273.60	SHE-086-060/IF2	300	£280	£336.00
1255	498	white	18.5	SHE-126-050/F	500	£234	£280.80	SHE-126-050/IF2	500	£300	£360.00
1255	593	white	22	SHE-126-060/F	600	£256	£307.20	SHE-126-060/IF2	600	£310	£372.00
1750	498	white	26	SHE-175-050/F	750	£297	£356.40	SHE-175-050/IF2	750	£352	£422.40
1750	593	white	29.7	SHE-175-060/F	900	£322	£386.40	SHE-175-060/IF2	900	£385	£462.00
1255	498	chrome	19.5	SHEC-126-050/F	300	£428	£513.60	SHEC-126-050/IF2	300	£521	£625.20
1255	593	chrome	23	SHEC-126-060/F	300	£475	£570.00	SHEC-126-060/IF2	300	£567	£680.40
1750	498	chrome	26	SHEC-175-050/F	500	£598	£717.60	SHEC-175-050/IF2	500	£676	£811.20
1750	593	chrome	29.5	SHEC-175-060/F	600	£664	£796.80	SHEC-175-060/IF2	600	£742	£890.40

Simple Electric Immersion heating has Safir casing without infra red control included.

The immersion heater is fitted to the right hand header.

**Note:** Height does not include the immersion heater. (See diagrams below)

**🎨 Colour finish:** Standard colours from the Zehnder colour chart including matt white finish: white RAL 9016 + 25%. Colour finish and non-stock products delivery: 20 working days.



For full **CE** compliant technical specifications, refer to page 140

# Zehnder Sfera Bow



The sophisticated elegance and gently curved, slender tubes of the Zehnder Sfera Bow combines aesthetic appeal with efficient drying space.



Beige Quartz



Safir Infra-red electric immersion heater control unit see page 137



Towel ring not included: see page 129 for accessories



Central Heating Model <b>STOCK</b> listed in black	Height mm	Width mm	Finish	Output $\Delta T=50K$ Watts/btu All outputs certified to EN 442	Electric Immersion Rating Watts	Weight kg	RRP (ex VAT)	RRP (inc 20% VAT)
<b>🔥</b> Zehnder Yucca Asym Single (Horizontal tubes on left or right)								
YA-090-050	872	478	white	351/1197	200	9.2	£323	£387.60
YA-130-040	1304	378	white	430/1466	300	11.3	£428	£513.60
YA-130-050	1304	478	white	517/1763	300	13.6	£435	£522.00
YA-130-060	1304	578	white	599/2043	400	15.9	£446	£535.20
YA-170-040	1736	378	white	571/1947	400	15.0	£434	£520.80
YA-170-050	1736	478	white	686/2339	500	18.1	£470	£564.00
YA-170-060	1736	578	white	795/2711	500	21.1	£479	£574.80
<b>YAC-090-050</b>	872	478	chrome	254/866	150	9.2	£908	£1,089.60
<b>YAC-130-040</b>	1304	378	chrome	308/1050	200	11.3	£962	£1,154.40
<b>YAC-130-050</b>	1304	478	chrome	371/1265	200	13.6	£991	£1,189.20
<b>YAC-130-060</b>	1304	578	chrome	432/1473	300	15.9	£999	£1,198.80
<b>YAC-170-040</b>	1736	378	chrome	408/1391	300	15.0	£1,069	£1,282.80
<b>YAC-170-050</b>	1736	478	chrome	492/1678	300	18.1	£1,091	£1,309.20
<b>YAC-170-060</b>	1736	578	chrome	572/1951	300	21.1	£1,108	£1,329.60

<b>🔥</b> Zehnder Yucca Asym Double (Not available in chrome. Horizontal tubes on left or right)								
YAD-130-040	1304	378	white	628/2141	400	19.7	£521	£625.20
YAD-130-060	1304	578	white	893/3045	600	28.9	£535	£642.00
YAD-170-040	1736	378	white	825/2813	500	26.2	£584	£700.80
YAD-170-050	1736	478	white	1002/3417	600	32.3	£671	£805.20
YAD-170-060	1736	578	white	1173/4000	750	38.4	£715	£858.00

**⚡** Dual Energy: Self Fit - (Additional cost to Central Heating model prices) See page 136 for details

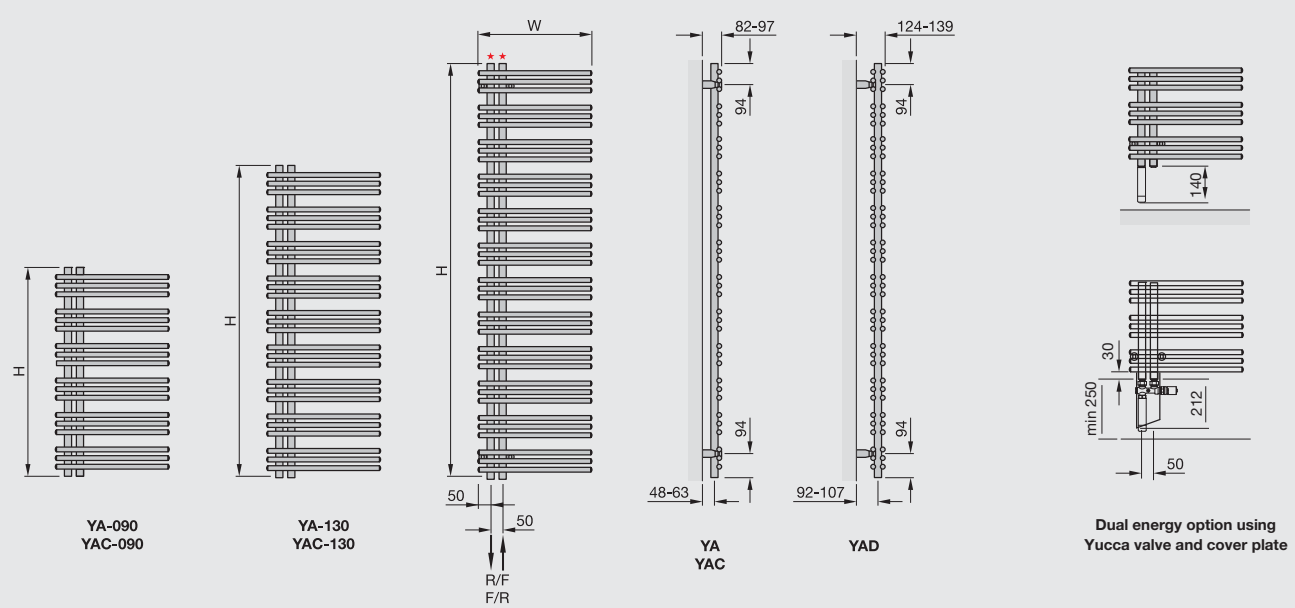
Electric Heating Model	Height mm	Width mm	Finish	Electric Immersion Rating (Watts) with factory fitted Wivar Class I, IPX4	Weight kg	RRP (ex VAT)	RRP (inc 20% VAT)
<b>⚡</b> Zehnder Yucca Asym Single Electric (Horizontal tubes on right)							
YAER-130-040/VG	1492	378	white	300	15.5	£850	£1,020.00
YAER-170-050/VG	1924	478	white	600	24.3	£1,022	£1,226.40
YAECR-130-040/VG	1492	378	chrome	300	15.5	£1,436	£1,723.20
YAECR-170-050/RG	1924	478	chrome	300	24.3	£1,660	£1,992.00

Horizontal tubes on right-hand side, element in left-hand header. If alternative is required specify at time of order.

**🎨 Colour finish:** Standard colours from the Zehnder colour chart including matt white finish: white RAL 9016 + 25%. Colour finish and non-stock products delivery: 17 working days.

Accessories			
Model	Finish	RRP (ex VAT)	RRP (inc 20% VAT)
Room divider bracket (to be ordered with radiator where required)			
936011	white	£86	£103.20
936018	chrome	£122	£146.40
936019 + colour code	colour	£108	£129.60
Special lengths brackets made to order (price on application)			

\*1/2" air vent  
Height excludes air vent  
F = flow  
R = return  
H = height  
W = width  
Tube: Horizontal  $\varnothing$  20mm  
Tube: Vertical  $\varnothing$  30mm  
All dimensions in mm



For full **CE** compliant technical specifications, refer to page 141  
To make an approximate conversion from T=50K to T=60K multiply outputs by 1.2

# Zehnder Yucca Asym



Beautiful, practical and available single or double tubed, in white, colour or chrome, the Zehnder Yucca Asym can also be installed perpendicular to the wall to create a partition.



Zehnder Yucca as a room divider



Valves: see page 130



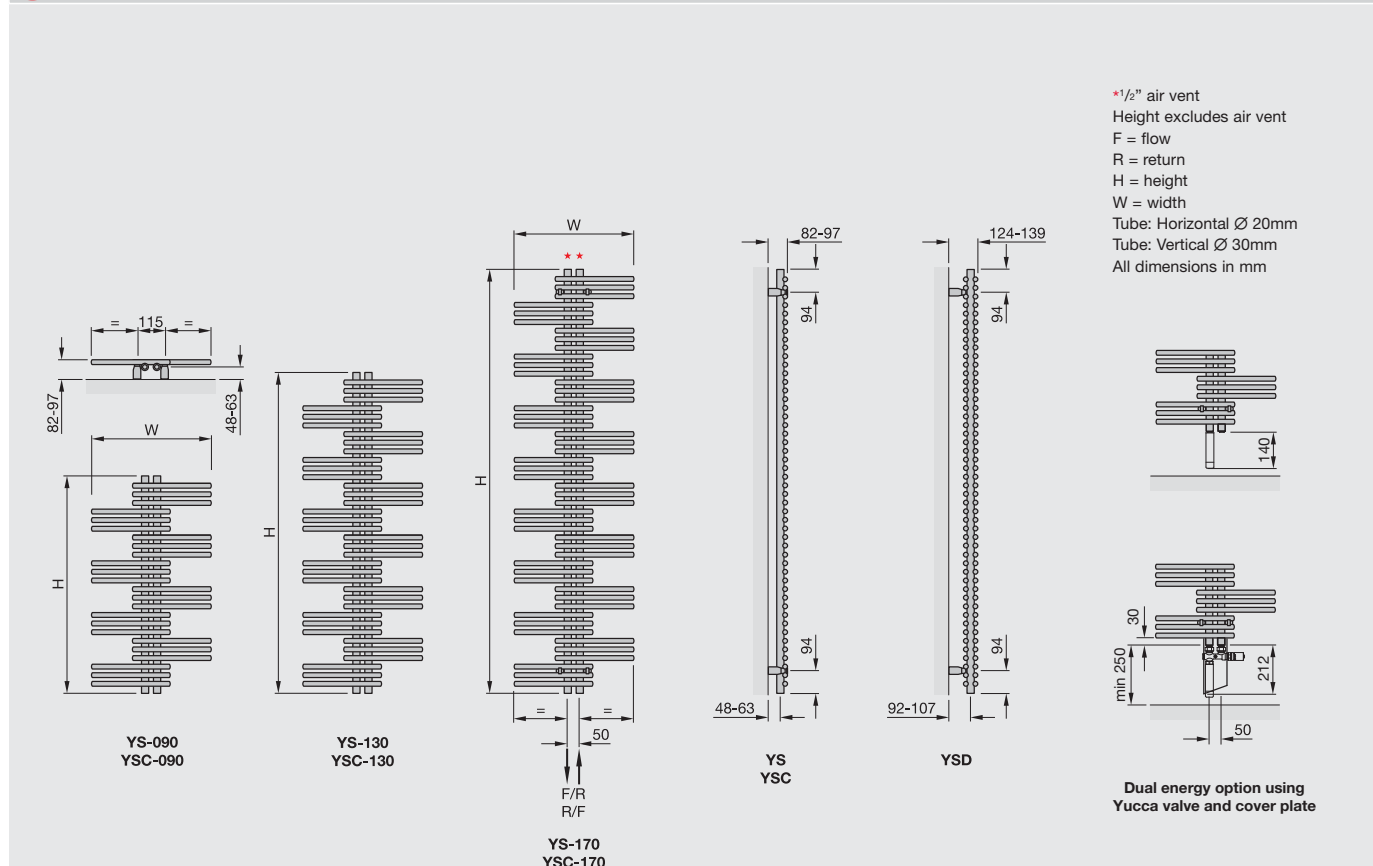
Central Heating Model <b>STOCK</b> listed in black	Height mm	Width mm	Finish	Output $\Delta T=50K$ Watts/btu All outputs certified to EN 442	Electric Immersion Rating Watts	Weight kg	RRP (ex VAT)	RRP (inc 20% VAT)
<b>🔥</b> Zehnder Yucca Sym Single								
YS-090-050	908	500	white	324/1105	200	8.4	£332	£398.40
YS-130-050	1340	500	white	477/1628	300	12.6	£420	£504.00
YS-130-060	1340	600	white	541/1846	300	14.2	£445	£534.00
YS-130-080	1340	800	white	661/2255	500	17.2	£484	£580.80
YS-180-050	1772	500	white	621/2119	400	16.8	£476	£571.20
YS-180-060	1772	600	white	706/2409	500	18.8	£491	£589.20
YS-180-080	1772	800	white	863/2945	600	22.9	£534	£640.80
<b>YSC-090-050</b>	908	500	chrome	229/781	150	8.4	£917	£1,100.40
<b>YSC-130-050</b>	1340	500	chrome	330/1125	200	12.6	£962	£1,154.40
<b>YSC-130-060</b>	1340	600	chrome	377/1286	300	14.2	£1,042	£1,250.40
<b>YSC-130-080</b>	1340	800	chrome	465/1586	300	17.2	£1,099	£1,318.80
<b>YSC-180-050</b>	1772	500	chrome	431/1470	300	16.8	£1,024	£1,228.80
<b>YSC-180-060</b>	1772	600	chrome	493/1681	300	18.8	£1,112	£1,334.40
<b>YSC-180-080</b>	1772	800	chrome	608/2073	400	22.9	£1,162	£1,394.40

<b>🔥</b> Zehnder Yucca Sym Double (not available in chrome)								
YSD-130-050	1340	500	white	717/2446	500	22.3	£506	£607.20
YSD-130-060	1340	600	white	823/2808	500	25.3	£565	£678.00
YSD-130-080	1340	800	white	1024/3494	600	31.4	£613	£735.60
YSD-180-050	1772	500	white	926/3159	600	29.6	£591	£709.20
YSD-180-060	1772	600	white	1063/3627	600	33.7	£705	£846.00
YSD-180-080	1772	800	white	1322/4511	900	41.8	£752	£902.40

**⚡** Dual Energy: Self Fit - (Additional cost to Central Heating model prices) See page 136 for details

Electric Heating Model	Height mm	Width mm	Finish	Electric Immersion Rating (Watts) with factory fitted Wivar Class I, IPX4	Weight kg	RRP (ex VAT)	RRP (inc 20% VAT)
<b>⚡</b> Zehnder Yucca Sym Single Electric							
YSE-130-050/VG	1492	500	white	300	17.1	£921	£1,105.20
YSE-180-060/VG	1924	600	white	600	25.3	£1,102	£1,322.40
YSEC-130-050/VG	1492	500	chrome	300	17.1	£1,491	£1,789.20
YSEC-180-060/VG	1924	600	chrome	300	25.3	£1,683	£2,019.60

**🎨** Colour finish: Standard colours from the Zehnder colour chart including matt white finish: white RAL 9016 + 25%. Colour finish and non-stock products delivery: 17 working days.



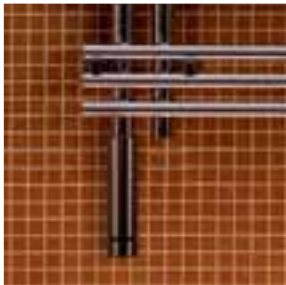
For full **CE** compliant technical specifications, refer to page 141  
 To make an approximate conversion from T=50K to T=60K multiply outputs by 1.2



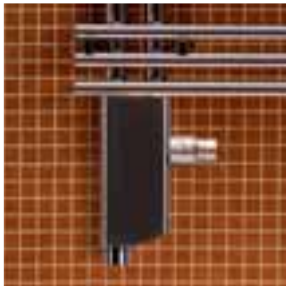
# Zehnder Yucca Sym



A celebrated patented design, the stunning Zehnder Yucca is available single or double-tubed in white and colour, and single-tubed in chrome.



Wivar electric immersion:  
see page 131



Yucca valve with cover  
plate: see page 131



Valves: see page 130



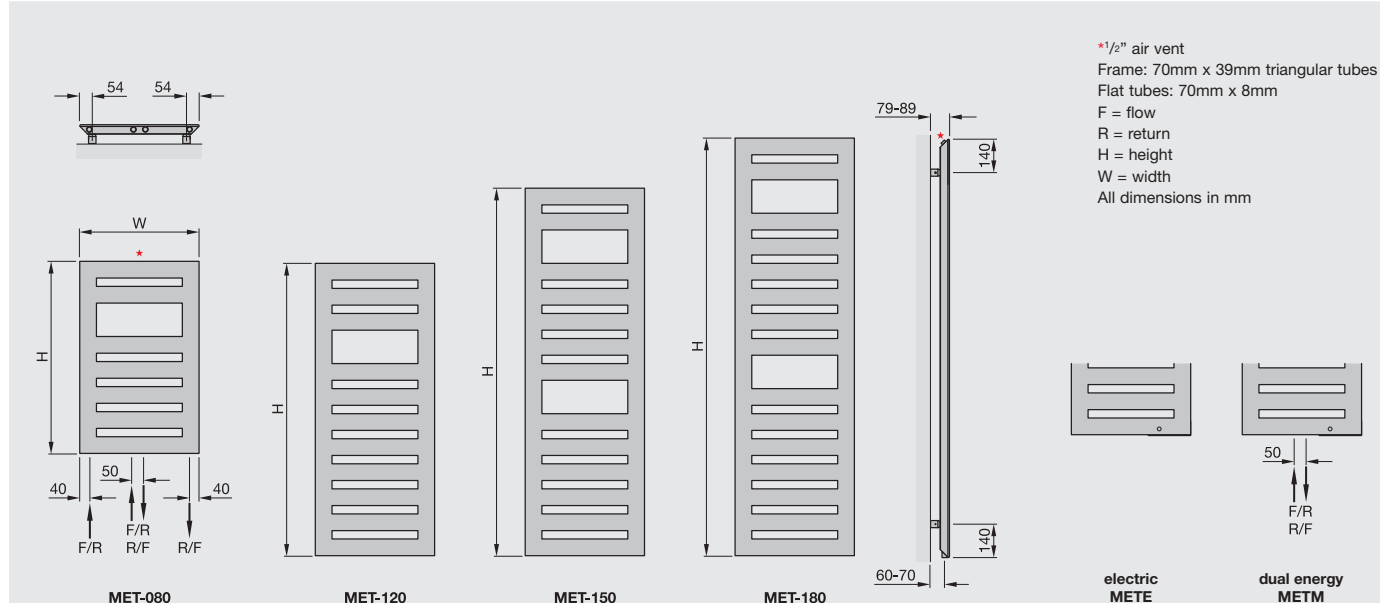
Central Heating Model <b>STOCK</b> listed in black	Height mm	Width mm	Finish	Output $\Delta T=50K$ Watts/btu All outputs certified to EN 442	Electric Immersion Rating Watts	Weight kg	RRP (ex VAT)	RRP (inc 20% VAT)
<b>Zehnder Metropolitan Spa</b>								
<b>MET-080-040</b>	805	400	white	327/1115	250	6.5	£320	£384.00
<b>MET-080-050</b>	805	500	white	388/1324	300	7.8	£327	£392.40
<b>MET-080-060</b>	805	600	white	445/1518	300	9.1	£338	£405.60
<b>MET-120-040</b>	1225	400	white	474/1617	300	9.8	£399	£478.80
<b>MET-120-050</b>	1225	500	white	561/1914	400	11.7	£408	£489.60
<b>MET-120-060</b>	1225	600	white	645/2201	400	13.5	£421	£505.20
<b>MET-150-040</b>	1540	400	white	582/1986	400	11.5	£473	£567.60
<b>MET-150-050</b>	1540	500	white	690/2354	500	13.5	£482	£578.40
<b>MET-180-050</b>	1750	500	white	775/2644	500	16.3	£539	£646.80
<b>MET-180-060</b>	1750	600	white	889/3033	600	19.0	£555	£666.00

Dual Energy Heating Model	Height mm	Width mm	Output $\Delta T=50K$ Watts/btu All outputs certified to EN 442	With factory-fitted Safir Class II IPX4-IK09 (suitable for Zone 1 bath, Zone 2 shower) Electric Rating (Watts)	Weight kg	RRP (ex VAT)	RRP (inc 20% VAT)
<b>Zehnder Metropolitan Spa Dual energy (factory fitted) White RAL 9016</b>							
<b>METM-080-040/IF</b>	805	400	327/1115	300	7.0	£576	£691.20
<b>METM-120-040/IF</b>	1225	400	474/1617	500	10.3	£640	£768.00
<b>METM-120-050/IF</b>	1225	500	561/1914	500	12.2	£654	£784.80
<b>METM-120-060/IF</b>	1225	600	645/2201	600	14.0	£674	£808.80
<b>METM-150-050/IF</b>	1540	500	690/2354	600	14.0	£732	£878.40
<b>METM-150-060/IF</b>	1540	600	792/2702	750	16.1	£754	£904.80
<b>METM-180-050/IF</b>	1750	500	775/2644	750	16.8	£784	£940.80

Electric Heating Model	Height mm	Width mm	Finish	With factory-fitted Safir Class II IPX4-IK09 (suitable for Zone 1 bath, Zone 2 shower) Electric Rating (Watts)	Weight kg	RRP (ex VAT)	RRP (inc 20% VAT)
<b>Zehnder Metropolitan Spa Electric</b>							
<b>METE-080-040/IF</b>	805	400	white	300	9.4	£594	£712.80
<b>METE-120-040/IF</b>	1225	400	white	500	13.8	£653	£783.60
<b>METE-120-050/IF</b>	1225	500	white	500	16.0	£665	£798.00
<b>METE-120-060/IF</b>	1225	600	white	600	18.3	£686	£823.20
<b>METE-150-050/IF</b>	1540	500	white	600	18.5	£747	£896.40
<b>METE-150-060/IF</b>	1540	600	white	750	21.1	£768	£921.60
<b>METE-180-050/IF</b>	1750	500	white	750	22.4	£799	£958.80

Accessories			
Model		RRP (ex VAT)	RRP (inc 20% VAT)
<b>468038</b>	Towel-bar for 400 mm width radiator, chrome plated	£91	£109.20
<b>468048</b>	Towel-bar for 500 mm width radiator, chrome plated	£93	£111.60
<b>468058</b>	Towel-bar for 600 mm width radiator, two fixing points, chrome plated	£96	£115.20
<b>480438</b>	Set of hooks (2 pcs.), to clip on, chrome plated	£41	£49.20

**Colour finish:** Standard colours from the Zehnder colour chart including matt white finish: white RAL 9016 + 25%. Colour finish and non-stock products delivery: 20 working days.



For full CE compliant technical specifications, refer to page 142  
To make an approximate conversion from T=50K to T=60K multiply outputs by 1.2

# Zehnder Metropolitan Spa



The Zehnder Metropolitan Spa towel radiator brings an elegant, spa style to modern bathrooms and kitchens. Connections and air vents are neatly hidden to maintain the formality and purity of the design. Geometric cut-outs create an attractive shape with plenty of space for towels to dry.



White Quartz



Also available as a room radiator see page 86



METE, METM Infrared immersion sensor



Orange Quartz

Central Heating Model STOCK listed in black	Height mm	Width mm	Finish	Output $\Delta T=50K$ Watts/btu All outputs certified to EN 442	Electric Immersion Rating Watts	Weight kg	RRP (ex VAT)	RRP (inc 20% VAT)
<b>Zehnder Ax Spa Single tube (Cloakroom size - see pages 8/9)</b>								
<b>ZA-048-040</b>	484	400	white	230/785	n/a	4.5	<b>£162</b>	<b>£194.40</b>
<b>ZA-048-040-0336</b>	484	400	volcanic	230/785	n/a	4.5	<b>£203</b>	<b>£243.60</b>
<b>ZA-048-040-0523</b>	484	400	beige quartz	230/785	n/a	4.5	<b>£203</b>	<b>£243.60</b>
<b>ZA-048-040-0529</b>	484	400	brown quartz	230/785	n/a	4.5	<b>£203</b>	<b>£243.60</b>

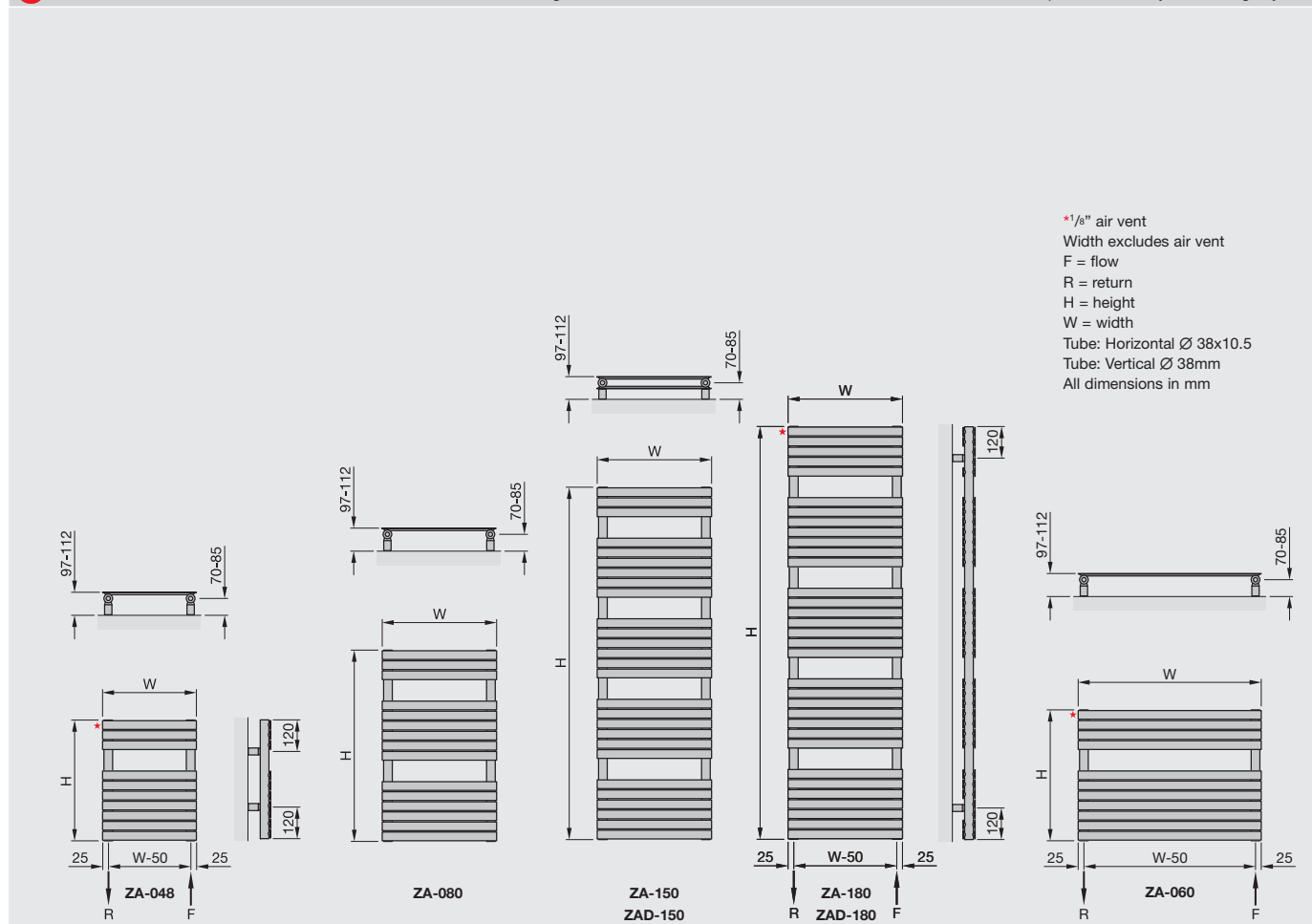
<b>Zehnder Ax Spa Single tube</b>								
<b>ZA-060-080</b>	575	800	white	458/1563	300	10.2	<b>£345</b>	<b>£414.00</b>
<b>ZA-060-090</b>	575	900	white	515/1757	300	11.3	<b>£388</b>	<b>£465.60</b>
<b>ZA-060-100</b>	575	1000	white	573/1955	300	12.4	<b>£430</b>	<b>£516.00</b>
<b>ZA-060-120</b>	575	1200	white	687/2344	500	14.5	<b>£515</b>	<b>£618.00</b>
<b>ZA-080-050</b>	836	500	white	427/1457	300	8.6	<b>£367</b>	<b>£440.40</b>
<b>ZA-120-050</b>	1188	500	white	586/1999	300	12.0	<b>£444</b>	<b>£532.80</b>
<b>ZA-120-060</b>	1188	600	white	685/2337	500	13.7	<b>£491</b>	<b>£589.20</b>
<b>ZA-150-040</b>	1540	400	white	614/2095	400	12.3	<b>£496</b>	<b>£595.20</b>
<b>ZA-150-050</b>	1540	500	white	738/2518	500	14.4	<b>£528</b>	<b>£633.60</b>
<b>ZA-180-050</b>	1804	500	white	884/3016	600	18.6	<b>£634</b>	<b>£760.80</b>
<b>ZA-060-080-0336</b>	575	800	volcanic	458/1563	300	10.2	<b>£431</b>	<b>£517.20</b>
<b>ZA-060-090-0336</b>	575	900	volcanic	515/1757	300	11.3	<b>£485</b>	<b>£582.00</b>
<b>ZA-060-080-0523</b>	575	800	beige quartz	458/1563	300	10.2	<b>£431</b>	<b>£517.20</b>
<b>ZA-060-090-0523</b>	575	900	beige quartz	515/1757	300	11.3	<b>£485</b>	<b>£582.00</b>
<b>ZA-060-080-0529</b>	575	800	brown quartz	458/1563	300	10.2	<b>£431</b>	<b>£517.20</b>
<b>ZA-060-090-0529</b>	575	900	brown quartz	515/1757	300	11.3	<b>£485</b>	<b>£582.00</b>

<b>Zehnder Ax Spa Double tube</b>								
<b>ZAD-150-050</b>	1540	500	white	1049/3579	n/a	25.3	<b>£786</b>	<b>£943.20</b>
<b>ZAD-180-050</b>	1804	500	white	1262/4306	n/a	30.5	<b>£988</b>	<b>£1,185.60</b>
<b>ZAD-180-060</b>	1804	600	white	1485/5067	n/a	35.6	<b>£1,059</b>	<b>£1,270.80</b>

Projection: 97-112mm

**Dual energy:** Self fit - (additional cost to central heating model prices). Not available for ZAD See page 136 for details.

**Colour finish:** Standard colours from the Zehnder colour chart including matt white finish: white RAL 9016 + 25%. Colour finish and non-stock products delivery: 18 working days.



For full **CE** compliant technical specifications, refer to page 142  
 To make an approximate conversion from T=50K to T=60K multiply outputs by 1.2

# Zehnder Ax Spa



With its single or double tube options, the unique Zehnder Ax Spa can meet all bathroom-heating requirements. It is also available as an oil-filled electric radiator.



Valves: see page 130



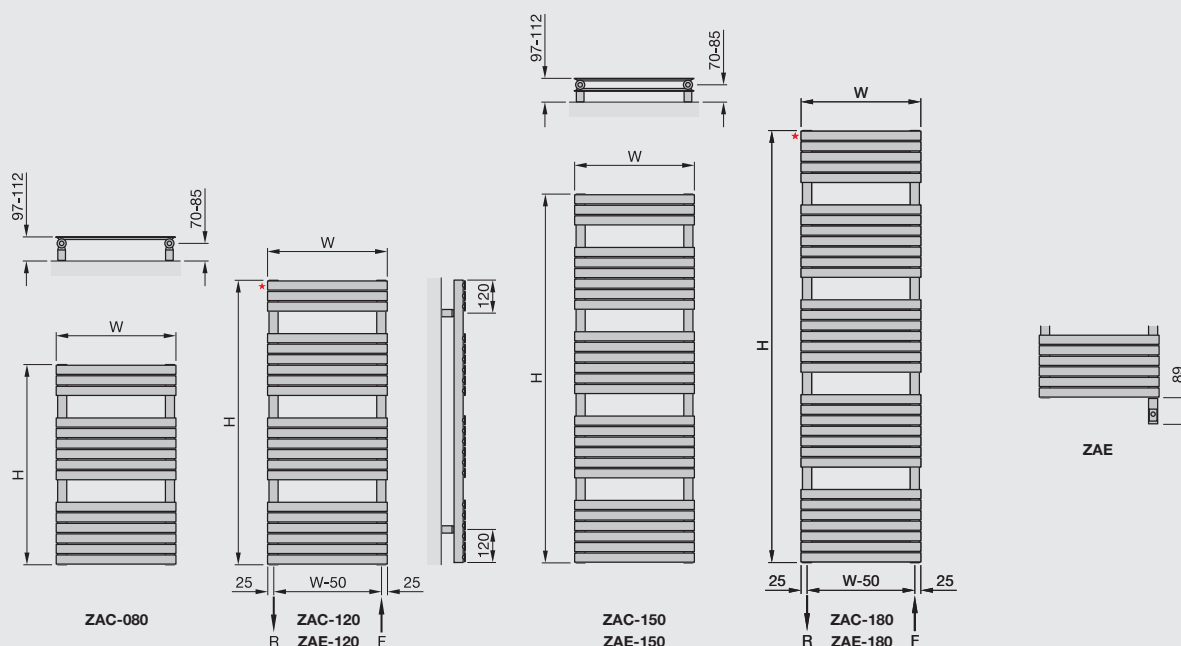
Central Heating Model <b>STOCK</b> listed in black	Height mm	Width mm	Finish	Output $\Delta T=50K$ Watts/btu All outputs certified to EN 442	Electric Immersion Rating Watts	Weight kg	RRP (ex VAT)	RRP (inc 20% VAT)
<b>🔥 Zehnder Ax Spa Single tube</b>								
ZAC-080-050	836	500	chrome	300/1024	300	8.6	£524	£628.80
ZAC-120-050	1188	500	chrome	410/1399	300	12.0	£696	£835.20
ZAC-120-060	1188	600	chrome	480/1638	500	13.7	£756	£907.20
ZAC-150-040	1540	400	chrome	430/1467	400	12.3	£788	£945.60
ZAC-150-050	1540	500	chrome	520/1774	500	14.4	£825	£990.00
ZAC-180-050	1804	500	chrome	620/2115	600	18.6	£998	£1,197.60

Electric Heating Model 15-20 days	Height mm	Width mm	Finish	Electric Immersion Rating Watts with Safir Class II, IPX4 Zone 1 bath, Zone 2 shower	Weight kg	RRP (ex VAT)	RRP (inc 20% VAT)
<b>⚡ Zehnder Ax Spa Electric</b>							
ZAE-120-050/IF	1277	500	white	500	16.2	£595	£714.00
ZAE-150-040/IF	1629	400	white	500	17.9	£665	£798.00
ZAE-150-050/IF	1629	500	white	750	20.3	£680	£816.00
ZAE-180-060/IF	1893	600	white	1000	27.0	£787	£944.40
ZAE-180-080/IF	1893	800	white	1250	32.9	£860	£1,032.00

**Note:** Height includes the immersion heater. (See diagrams below)

**🎨 Colour finish:** Standard colours from the Zehnder colour chart including matt white finish: white RAL 9016 + 25%. Colour finish and non-stock products delivery: 18 working days.

\*1/8" air vent  
Width excludes air vent  
F = flow  
R = return  
H = height  
W = width  
Tube: Horizontal  $\varnothing$  38x10.5  
Tube: Vertical  $\varnothing$  38mm  
All dimensions in mm



For full **CE** compliant technical specifications, refer to page 142  
To make an approximate conversion from T=50K to T=60K multiply outputs by 1.2

# Zehnder Ax Spa



The Ax Spa is now available in modern chrome as well as a range of contemporary colours. The electric version offers a flexible bathroom heating solution for the summer months.



Ax Spa



Safir Infra-red electric immersion heater control unit see page 137



HEATED TOWEL RAILS FOR BATHROOMS

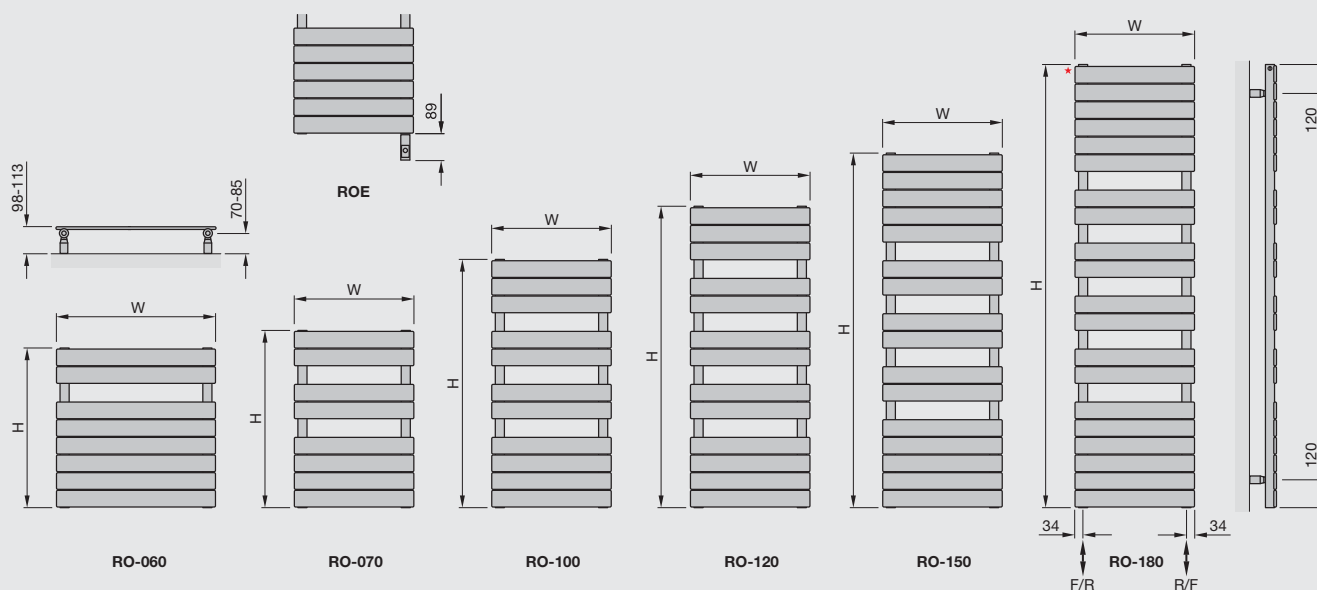
Central Heating Model STOCK listed in black	Height mm	Width mm	Finish	Output $\Delta T=50K$ Watts/btu All outputs certified to EN 442	Electric Immersion Rating Watts	Weight kg	RRP (ex VAT)	RRP (inc 20% VAT)
<b>🔥</b> Zehnder Roda Spa								
RO-060-100	667	1000	white	656/2238	400	14.6	£419	£502.80
RO-070-050	741	500	white	377/1286	200	8.2	£304	£364.80
RO-100-050	1037	500	white	504/1720	300	12.2	£361	£433.20
RO-120-050	1259	500	white	583/1989	400	14.0	£399	£478.80
RO-150-050	1481	500	white	691/2358	500	16.5	£481	£577.20
RO-180-050	1851	500	white	817/2788	500	21.5	£585	£702.00
RO-180-060	1851	600	white	980/3344	600	23.5	£609	£730.80
RO-180-080	1851	800	white	1307/4460	900	31.5	£744	£892.80
RO-070-050-0346	741	500	anthracite	377/1286	200	8.2	£380	£456.00
RO-120-050-0346	1259	500	anthracite	583/1989	400	14.0	£499	£598.80
RO-150-050-0346	1481	500	anthracite	691/2358	500	16.5	£601	£721.20

**⚡** Dual Energy: Self Fit - Additional cost to Central Heating model prices see page 136 for details

Electric Heating Model	Height mm	Width mm	Finish	Electric Immersion Rating Watts with Safir Class II, IPX4 Zone 1 bath, Zone 2 shower	Weight kg	RRP (ex VAT)	RRP (inc 20% VAT)
<b>⚡</b> Zehnder Roda Spa Electric							
ROE-090-050/IF	815	500	white	500	15.1	£494	£592.80
ROE-150-050/IF	1333	500	white	750	22.3	£613	£735.60
ROE-180-050/IF	1629	500	white	1000	27.5	£673	£807.60
ROE-200-060/IF	1851	600	white	1250	34.7	£738	£885.60
ROE-200-080/IF	1851	800	white	1500	44.7	£825	£990.00

**🎨** Colour finish: Standard colours from the Zehnder colour chart including matt white finish: white RAL 9016 + 25%. Colour finish and non-stock products delivery: 17 working days.

\*1/8" air vent  
Width excludes air vent  
F = flow  
R = return  
H = height  
W = width  
Tube: Dimensions: 70mm x 11mm  
Tube: Vertical  $\varnothing$  38mm  
All dimensions in mm



For full **CE** compliant technical specifications, refer to page 142  
To make an approximate conversion from T=50K to T=60K multiply outputs by 1.2



# Zehnder Roda Spa



High output and practicality in a contemporary design, the Zehnder Roda Spa is particularly suitable for modern bathrooms with angular sanitaryware.



Roda Spa



Valves: see page 130



Safir Infra-red electric immersion heater control unit see page 137



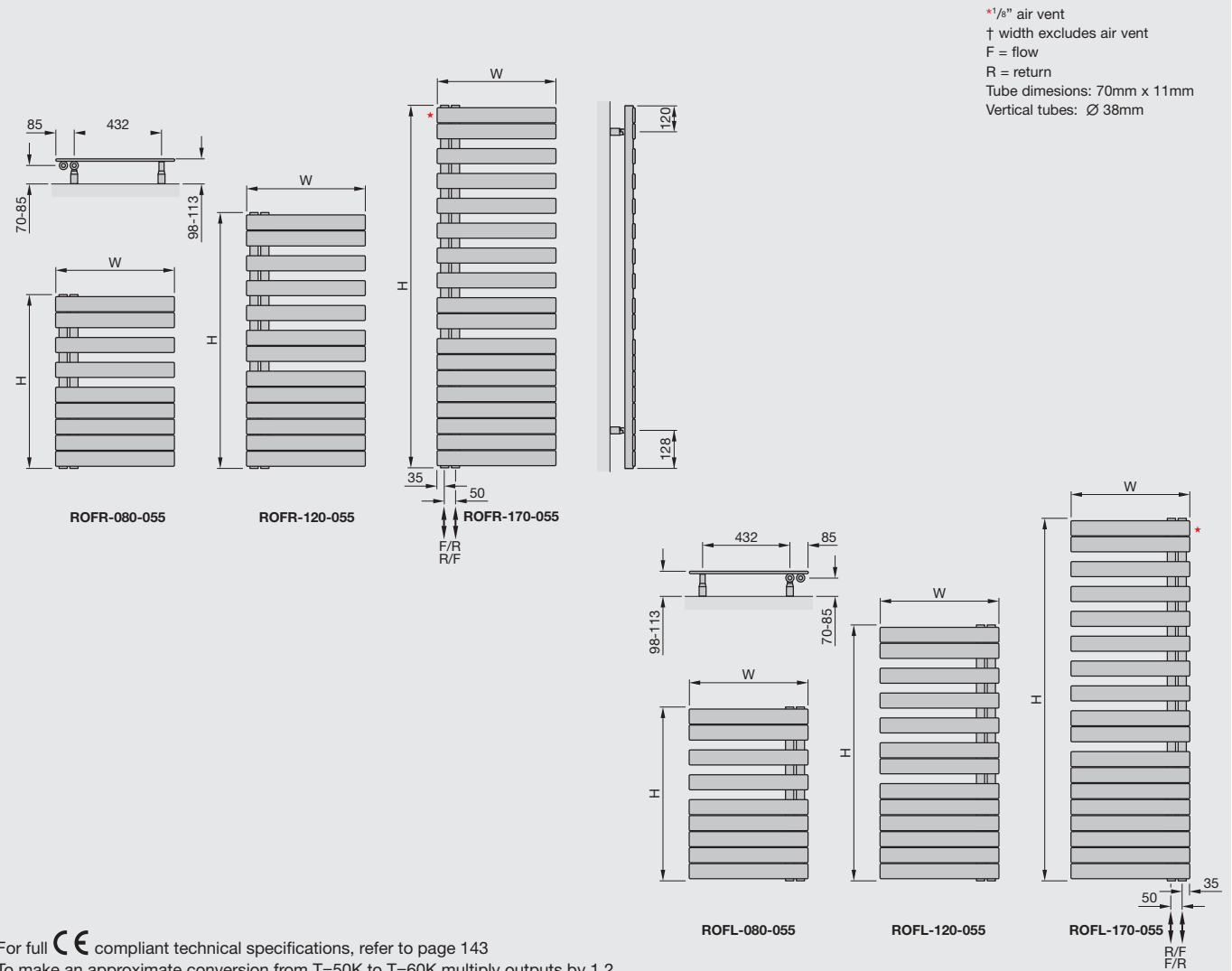
Anthracite



Central Heating Model STOCK listed in black	Height mm	Width mm	Finish	Output $\Delta T=50K$ Watts/btu All outputs certified to EN 442	Electric Immersion Rating Watts	Weight kg	RRP (ex VAT)	RRP (inc 20% VAT)
Zehnder Roda Spa Asym								
ROFL-080-055	805	550	white	429/1464	300	10	£322	£386.40
ROFL-120-055	1183	550	white	594/2027	400	14	£399	£478.80
ROFL-170-055	1676	550	white	809/2760	500	20	£534	£640.80
ROFR-080-055	805	550	white	429/1464	300	10	£322	£386.40
ROFR-120-055	1183	550	white	594/2027	400	14	£399	£478.80
ROFR-170-055	1676	550	white	809/2760	500	20	£534	£640.80
ROFL-080-055-0336	805	550	volcanic	429/1464	300	10	£403	£483.60
ROFL-120-055-0336	1183	550	volcanic	594/2027	400	14	£499	£598.80
ROFL-170-055-0336	1676	550	volcanic	809/2760	500	20	£668	£801.60
ROFR-080-055-0336	805	550	volcanic	429/1464	300	10	£403	£483.60
ROFR-120-055-0336	1183	550	volcanic	594/2027	400	14	£499	£598.80
ROFR-170-055-0336	1676	550	volcanic	809/2760	500	20	£668	£801.60
ROFL-080-055-0523	805	550	beige quartz	429/1464	300	10	£403	£483.60
ROFL-120-055-0523	1183	550	beige quartz	594/2027	400	14	£499	£598.80
ROFL-170-055-0523	1676	550	beige quartz	809/2760	500	20	£668	£801.60
ROFR-080-055-0523	805	550	beige quartz	429/1464	300	10	£403	£483.60
ROFR-120-055-0523	1183	550	beige quartz	594/2027	400	14	£499	£598.80
ROFR-170-055-0523	1676	550	beige quartz	809/2760	500	20	£668	£801.60
ROFL-080-055-0529	805	550	brown quartz	429/1464	300	10	£403	£483.60
ROFL-120-055-0529	1183	550	brown quartz	594/2027	400	14	£499	£598.80
ROFL-170-055-0529	1676	550	brown quartz	809/2760	500	20	£668	£801.60
ROFR-080-055-0529	805	550	brown quartz	429/1464	300	10	£403	£483.60
ROFR-120-055-0529	1183	550	brown quartz	594/2027	400	14	£499	£598.80
ROFR-170-055-0529	1676	550	brown quartz	809/2760	500	20	£668	£801.60

Dual Energy: Self Fit - Additional cost to Central Heating model prices see page 136 for details

Colour finish: Standard colours from the Zehnder colour chart including matt white finish: white RAL 9016 + 25%. Colour finish and non-stock products delivery: 17 working days.



For full compliant technical specifications, refer to page 143  
 To make an approximate conversion from T=50K to T=60K multiply outputs by 1.2

# Zehnder Roda Spa Asym



A highly functional and stylish towel rail with a practical asymmetrical design which allows easy access for hanging of towels. The Zehnder Roda Spa Asym central heating model is available with the horizontal tubes facing left or right.



Brown Quartz



Beige Quartz



Volcanic



Valves: see page 130



Strawberry

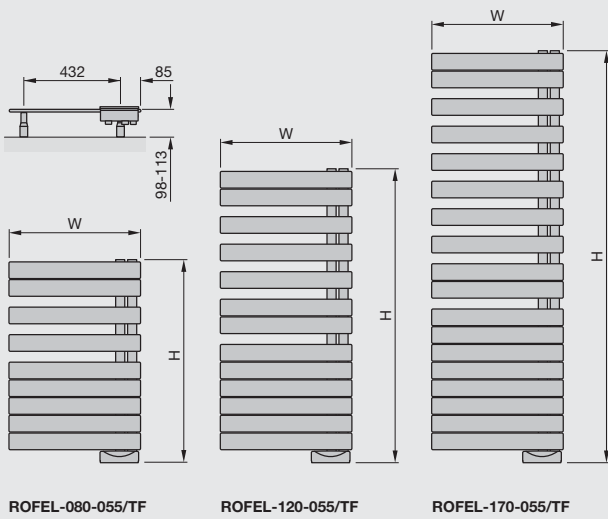
HEATED TOWEL RAILS FOR BATHROOMS

Electric Heating Model <b>STOCK</b> listed in black	Height mm	Width mm	Finish	Electric Immersion Rating (Watts) with factory fitted Memoprogram immersion Class II, IPX4, IK09, Zone 1 bath, Zone 2 shower	Weight kg	RRP (ex VAT)	RRP (inc 20% VAT)
⚡ Zehnder Roda Spa Asym Electric							
ROFEL-080-55/TF	862	550	white	500	15	£402	£482.40
ROFEL-120-55/TF	1230	550	white	750	21	£505	£606.00
ROFEL-170-55/TF	1723	550	white	1000	29	£602	£722.40

Opposite handed model, fitted with an infra-red controlled immersion heater available. Details and prices on application.

🎨 **Colour finish:** Standard colours from the Zehnder colour chart including matt white finish: white RAL 9016 + 25%. Colour finish and non-stock products delivery: 17 working days.

H = height  
W = width  
Tube: Dimensions: 70mm x 11mm  
Tube: Vertical tubes: Ø 38mm  
All dimensions in mm



ROFEL-080-055/TF

ROFEL-120-055/TF

ROFEL-170-055/TF

# Zehnder Roda Spa Asym



The Roda Spa Asym with its easy to operate memoprogram immersion heater is a favourite for its overall functionality.



See page 137 for further information.



CE

HEATED TOWEL RAILS FOR BATHROOMS

Central Heating Model <b>STOCK</b> listed in black	Height mm	Width mm	No. of sections	Finish	Output $\Delta T=50K$ Watts/btu All outputs certified to EN 442	Centre from wall	Overall projection	Weight kg	RRP (ex VAT)	RRP (inc 20% VAT)
<b>🔥 Zehnder Charleston Bar (Cloakroom size - see pages 10/11)</b>										
<b>2075-6</b>	742	306	6	white	330/1128	59	134	7.2	<b>£240</b>	<b>£288.00</b>
<b>🔥 Zehnder Charleston Bar</b>										
<b>2090-9</b>	892	444	9	white	575/1961	59	134	12.6	<b>£322</b>	<b>£386.40</b>
<b>2120-9</b>	1192	444	9	white	744/2358	59	134	17.1	<b>£393</b>	<b>£471.60</b>
<b>2150-9</b>	1492	444	9	white	936/3198	59	134	20.7	<b>£440</b>	<b>£528.00</b>
<b>2180-9</b>	1792	444	9	white	1116/3807	59	134	24.3	<b>£473</b>	<b>£567.60</b>

1 x 368mm chrome towel bar included. Projection including towel bar: 134mm

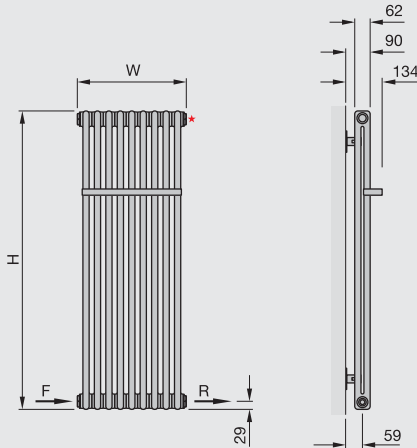
**Accessories**

Model		RRP (ex VAT)	RRP (inc 20% VAT)
<b>601020</b>	Lambs wool brush	<b>£50</b>	<b>£60.00</b>
<b>966018</b>	Additional 368mm Towel Bar	<b>£128</b>	<b>£153.60</b>
The additional chrome bar above can be cut down to fit if required			
<b>CTR-28</b> <b>NEW</b>	Chrome towel rail. Spans across 6 elements	<b>£108</b>	<b>£129.60</b>
<b>CTR-37</b> <b>NEW</b>	Chrome towel rail. Spans across 8 elements	<b>£114</b>	<b>£136.80</b>

Contains full length rail and two brackets.

**🔥 Colour finish:** Standard colours from the Zehnder colour chart including matt white finish: white RAL 9016 + 25%. Colour finish and non-stock products delivery: 15 working days.

\*1/2" air vent  
Width excludes air vent  
F = flow  
R = return  
H = height  
W = width  
Tube:  $\varnothing$  25mm  
All dimensions in mm



For full **CE** compliant technical specifications, refer to page 147  
To make an approximate conversion from T=50K to T=60K multiply outputs by 1.2

# Zehnder Charleston Bar



The popular multi-column with the chrome towel bar combines warmth and practicality.



Jet Black




Valves: see page 130



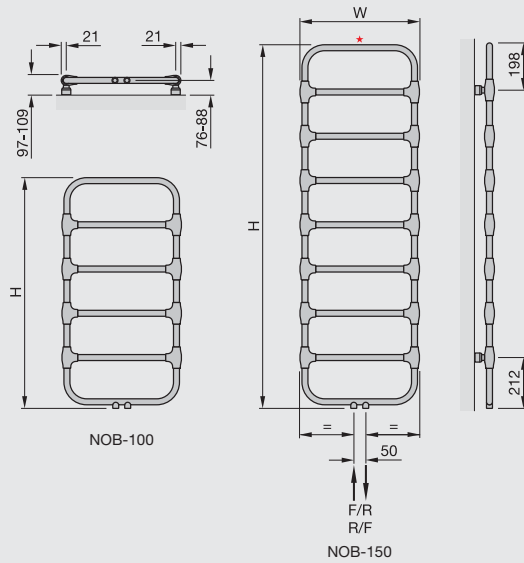
Lambswool brush




HEATED TOWEL RAILS FOR BATHROOMS

Central Heating Model <b>STOCK</b> listed in black	Height mm	Width mm	Finish	Output $\Delta T=50K$ Watts/btu All outputs certified to EN 442	Electric Immersion Rating Watts	Weight kg	RRP (ex VAT)	RRP (inc 20% VAT)
 Zehnder Nobis								
<b>NOB-100-050</b>	965	500	chrome	210/717	n/a	9.0	<b>£798</b>	<b>£957.60</b>
<b>NOB-150-050</b>	1520	chrome	325/1109	n/a	14.0	<b>£979</b>	<b>£1,174.80</b>	

\*1/2" air vent (rear)  
 F = flow  
 R = return  
 H = height  
 W = width  
 Tube:  $\varnothing$  25mm  
 All dimensions in mm



For full  compliant technical specifications, refer to page 143  
 To make an approximate conversion from T=50K to T=60K multiply outputs by 1.2



# Zehnder Nobis



Elegant patented chrome towel drying radiator with unique contemporary joints. The Nobis is also suitable for installation on hot water systems.



Valves: see page 130

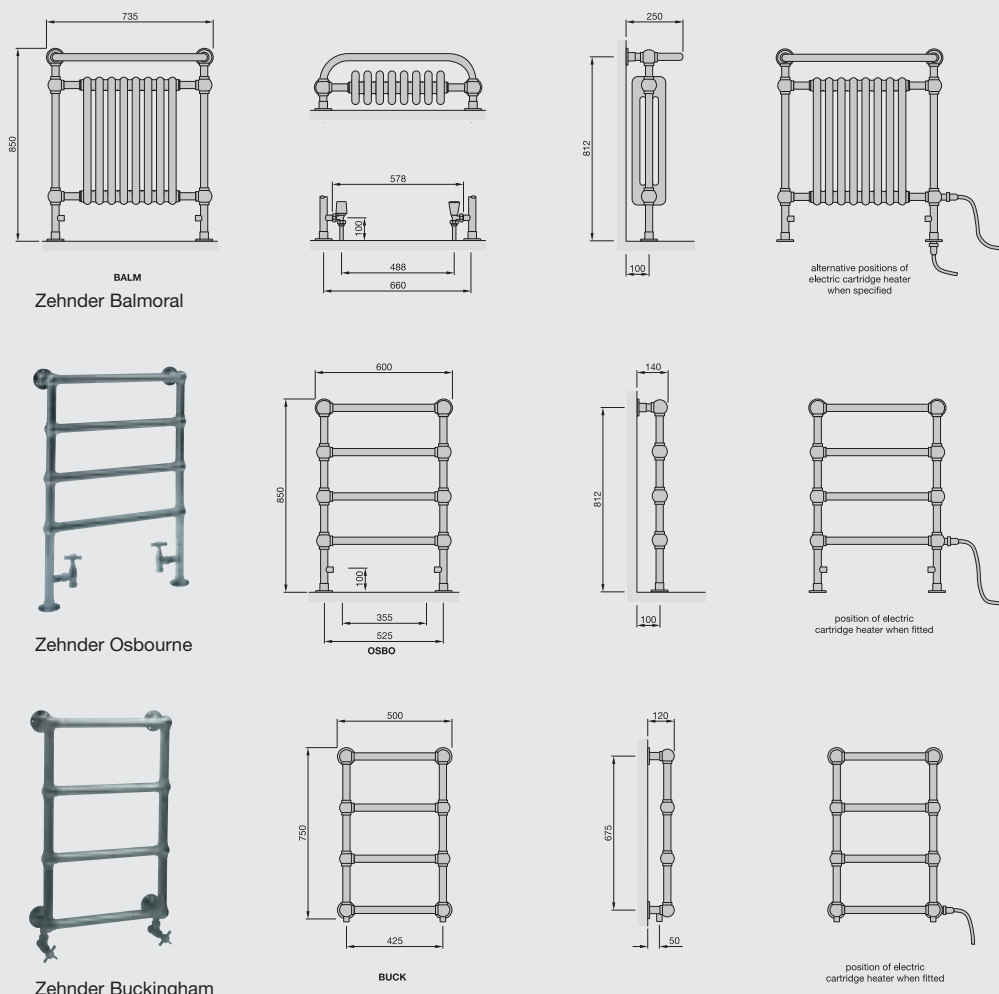


Traditional range Model <b>STOCK</b> listed in black	Code	Height mm	Width mm	Finish	Output $\Delta T=50K$ Watts/BTU All outputs certified to EN 442	Electric Immersion Rating Watts	RRP (ex VAT)	RRP (inc 20% VAT)
🔥 Central heating only models (the Zehnder Balmoral is not suitable for domestic hot water systems)								
Zehnder Balmoral	<b>BALM CPHO</b>	850	735	chrome	683/2330	400	<b>£1,113</b>	<b>£1,335.60</b>
	<b>BALM AGHO</b>			antique gold	683/2330		<b>£1,350</b>	<b>£1,620.00</b>
🔥🔥 Central heating and domestic hot water models								
Zehnder Osbourne	<b>OSBO CPHO</b>	850	600	chrome	246/839	150	<b>£614</b>	<b>£736.80</b>
	<b>OSBO AGHO</b>			antique gold	246/839		<b>£752</b>	<b>£902.40</b>
Zehnder Buckingham	<b>BUCK CPHO</b>	750	500	chrome	175/597	150	<b>£614</b>	<b>£736.80</b>
	<b>BUCK AGHO</b>			antique gold	175/597		<b>£752</b>	<b>£902.40</b>
⚡ Dual energy models (IPX5, Zone 1) with factory fitted immersion								
Zehnder Buckingham	<b>BUCK CPDE</b>	750	500	chrome	175/597	150	<b>£865</b>	<b>£1,038.00</b>
	<b>BUCK AGDE</b>			antique gold	175/597		<b>£1,017</b>	<b>£1,220.40</b>
⚡ Electric only models (IPX5, Zone 1) Immersion heater (no controls) on right-hand side as standard								
Zehnder Balmoral	<b>BALM CPEO</b>	850	735	chrome	n/a	400	<b>£1,488</b>	<b>£1,785.60</b>
	<b>BALM AGEO</b>			antique gold	n/a		<b>£1,695</b>	<b>£2,034.00</b>
Zehnder Osbourne	<b>OSBO CPEO</b>	850	600	chrome	n/a	150	<b>£961</b>	<b>£1,153.20</b>
	<b>OSBO AGEO</b>			antique gold	n/a		<b>£1,076</b>	<b>£1,291.20</b>
Zehnder Buckingham	<b>BUCK CPEO</b>	750	500	chrome	n/a	150	<b>£953</b>	<b>£1,143.60</b>
	<b>BUCK AGEO</b>			antique gold	n/a		<b>£1,076</b>	<b>£1,291.20</b>

🎨 **Colour finish for Zehnder Balmoral column radiator:** Only available in RAL colours: List price of central heating model +25%.

**Alternative Finish Options**

Colour finish and non-stock products delivery: 30 working days  
 Mixage finish (chrome rails with antique gold ball joints): List price of chrome models + 25%  
 Nickel finish: List price of chrome models + 25%



All dimensions in mm

For full CE compliant technical specifications, refer to page 143  
 To make an approximate conversion from T=50K to T=60K multiply outputs by 1.2

# Traditional Range



Distinguished luxury available in chrome or antique gold, for central heating, domestic hot water, dual energy or electric only installations.



Antique Gold



Valves: see page 130



RAL 6034





## Stainless steel heated towel rails and radiators. Heat at its most versatile.

The versatility of stainless steel radiators is a well established fact. Suitable for installation on a central heating or domestic hot water system, and whether highly polished, brushed or with a painted finish, its high resistance to corrosion and 10 year warranty is a notable benefit. The range of aesthetic designs suitable for bathrooms, wet rooms, kitchens or room radiators offers a complete choice to the home owner.

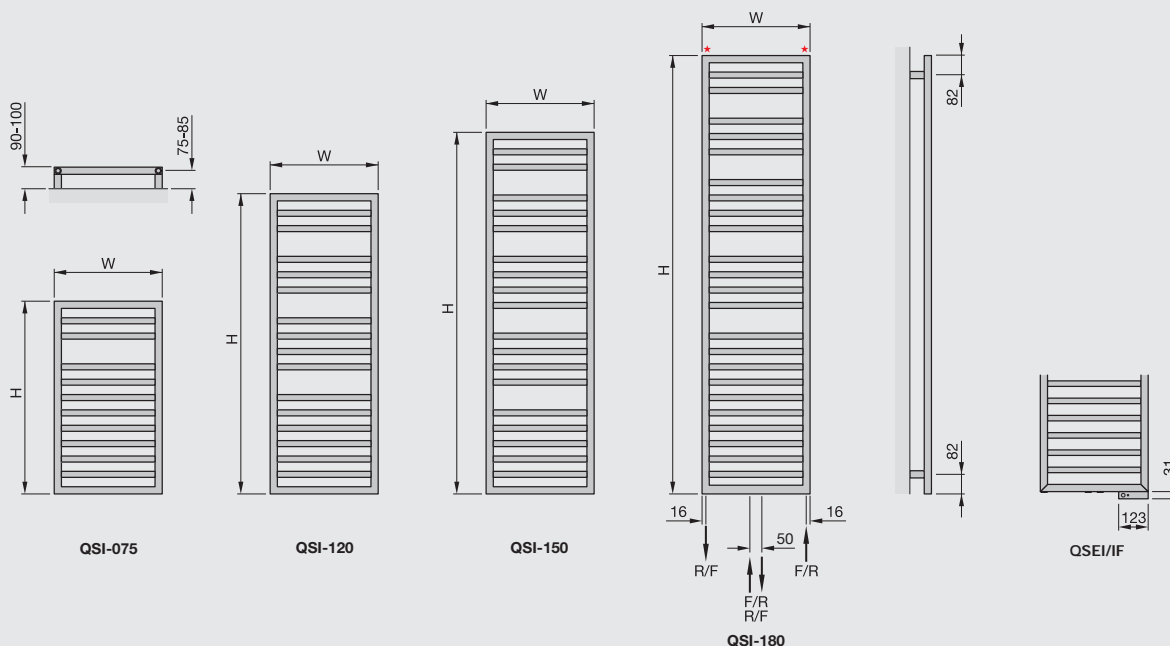


STAINLESS STEEL HEATED TOWEL RAILS AND RADIATORS

Central Heating Model <b>STOCK</b> listed in black	Height mm	Width mm	Finish	Output $\Delta T=50K$ Watts/Btu All outputs certified to EN 442	Electric Immersion Rating Watts	Weight kg	RRP (ex VAT)	RRP (inc 20% VAT)
<b>Zehnder Quaro Spa Stainless Steel (Brushed)</b>								
QSI-075-045	803	450	stainless steel	222 /757	150	7.1	£410	£492.00
QSI-120-045	1251	450	stainless steel	330 /1126	200	9.8	£527	£632.40
QSI-120-055	1251	550	stainless steel	388 /1324	300	11.6	£594	£712.80
QSI-150-045	1507	450	stainless steel	393 /1341	300	11.3	£646	£775.20
QSI-150-055	1507	550	stainless steel	464 /1583	300	13.4	£698	£837.60
QSI-180-055	1827	550	stainless steel	569 /1941	400	16.1	£782	£938.40

Electric Heating Model	Height mm	Width mm	Finish	Electric Immersion Rating Watts with Safir Class II, IPX4 Zone 1 bath, Zone 2 shower	Weight kg	RRP (ex VAT)	RRP (inc 20% VAT)
<b>Zehnder Quaro Spa Electric Stainless Steel (Brushed)</b>							
QSEI-120-045/IF	1281	450	stainless steel	300	14.9	£777	£932.40
QSEI-120-055/IF	1281	550	stainless steel	300	17.4	£844	£1,012.80
QSEI-150-045/IF	1537	450	stainless steel	300	17.3	£896	£1,075.20
QSEI-150-055/IF	1537	550	stainless steel	300	20.2	£948	£1,137.60
QSEI-180-055/IF	1857	550	stainless steel	500	24.3	£1,032	£1,238.40

**Colour finish:** Standard colours from the Zehnder colour chart. Delivery of colour finish and non-stock products: 20 working days.



For full **CE** compliant technical specifications, refer to page 144  
 To make an approximate conversion from T=50K to T=60K multiply outputs by 1.2

# Zehnder Quaro Spa



The new Zehnder Quaro Spa has an elegant square profile frame and horizontal heating pipes. Beautifully designed with clarity and simplicity, even the right-angled wall brackets look cool! Generously spaced tubes give plenty of room for warming fluffy towels. Available in both central heating and electric versions, this gorgeous brushed stainless steel towel radiator is the ideal solution for contemporary wet rooms.



Valves: see page 130

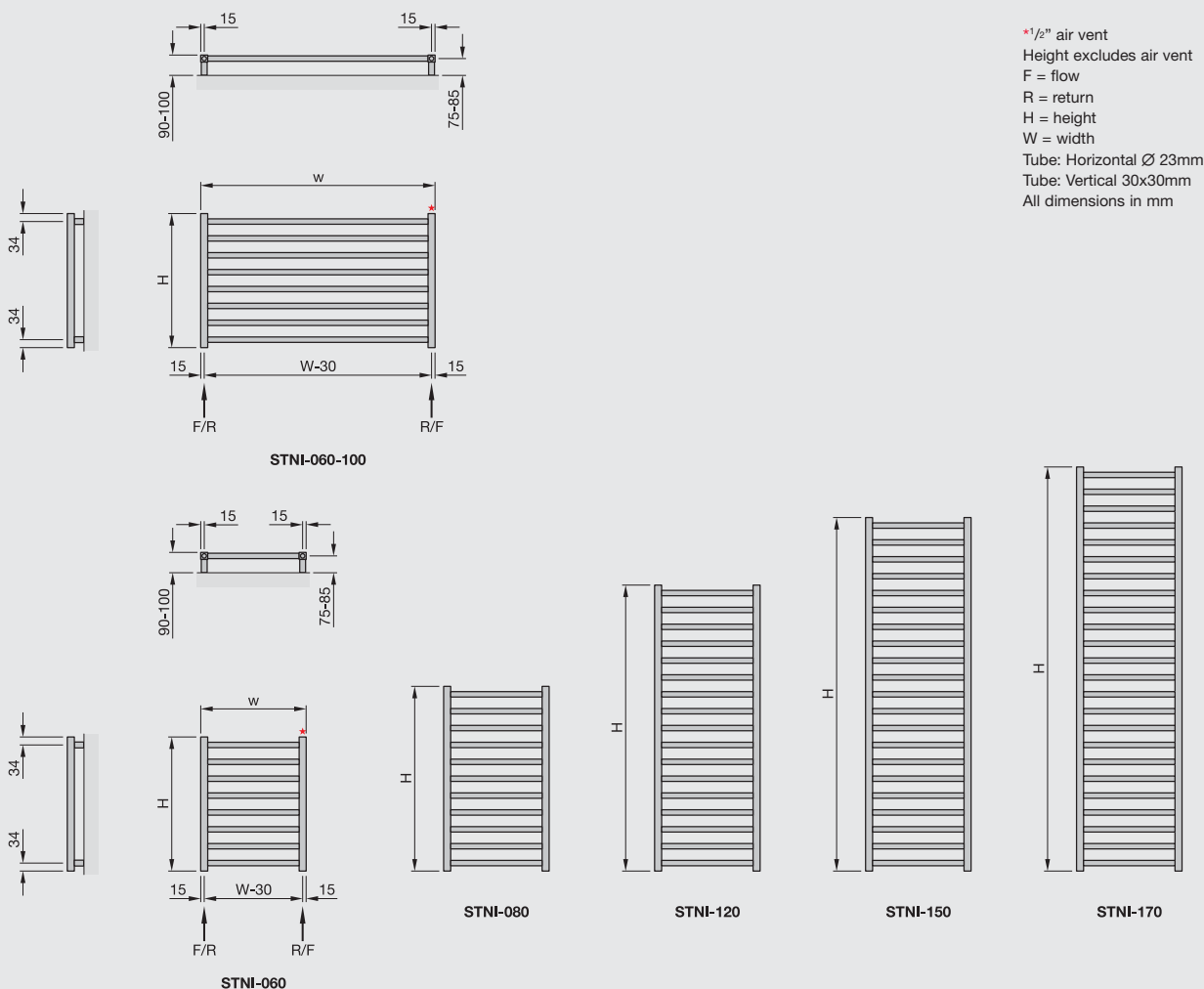


STAINLESS STEEL HEATED TOWEL RAILS AND RADIATORS

Stainless Steel STOCK listed in black	Height mm	Width mm	Finish	Output $\Delta T=50K$ Watts/btu All outputs certified to EN 442	Electric Immersion Rating Watts	Weight kg	RRP (ex VAT)	RRP (inc 20% VAT)
Zehnder Stellar Stainless Steel								
STNI-060-045	572	450	s/steel polished	159/541	100	3.3	£226	£271.20
STNI-060-100	572	1000	s/steel polished	284/970	200	5.8	£405	£486.00
STNI-080-030	788	300	s/steel polished	159/541	100	3.6	£227	£272.40
STNI-080-045	788	450	s/steel polished	206/702	150	4.5	£272	£326.40
STNI-080-060	788	600	s/steel polished	253/863	150	5.4	£319	£382.80
STNI-120-030	1220	300	s/steel polished	242/826	150	5.5	£323	£387.60
STNI-120-045	1220	450	s/steel polished	316/1078	150	6.9	£369	£442.80
STNI-120-060	1220	600	s/steel polished	391/1334	200	8.4	£430	£516.00
STNI-150-045	1508	450	s/steel polished	389/1327	300	8.5	£569	£682.80
STNI-150-060	1508	600	s/steel polished	491/1675	300	10.2	£654	£784.80
STNI-170-045	1724	450	s/steel polished	452/1542	300	10.0	£658	£789.60
STNI-170-060	1724	600	s/steel polished	545/1860	400	12.0	£753	£903.60
STNI-060-045-CF	572	450	s/steel painted	233/795	150	3.3	£226	£271.20
STNI-060-100-CF	572	1000	s/steel painted	430/1467	300	5.8	£405	£486.00
STNI-080-030-CF	788	300	s/steel painted	232/792	150	3.6	£227	£272.40
STNI-080-045-CF	788	450	s/steel painted	317/1082	200	4.5	£272	£326.40
STNI-080-060-CF	788	600	s/steel painted	395/1348	300	5.4	£319	£382.80
STNI-120-030-CF	1220	300	s/steel painted	353/1204	200	5.5	£323	£387.60
STNI-120-045-CF	1220	450	s/steel painted	482/1645	300	6.9	£369	£442.80
STNI-120-060-CF	1220	600	s/steel painted	600/2047	400	8.4	£430	£516.00
STNI-150-045-CF	1508	450	s/steel painted	591/2016	400	8.5	£569	£682.80
STNI-150-060-CF	1508	600	s/steel painted	736/2511	500	10.2	£654	£784.80
STNI-170-045-CF	1724	450	s/steel painted	672/2293	500	10.0	£658	£789.60
STNI-170-060-CF	1724	600	s/steel painted	838/2859	600	12.0	£753	£903.60

Dual Energy: Self Fit - Additional cost to Central Heating model prices see page 136 for details

Colour finish: Standard colours from the Zehnder colour chart. Delivery of colour finish and non-stock products: 21 working days.



For full compliant technical specifications, refer to page 144  
 To make an approximate conversion from T=50K to T=60K multiply outputs by 1.2



# Zehnder Stellar



Simple, elegant and contemporary, the stainless steel Stellar is the ideal solution for minimalist bathroom designs.



Valves: see page 130



Bracket detail

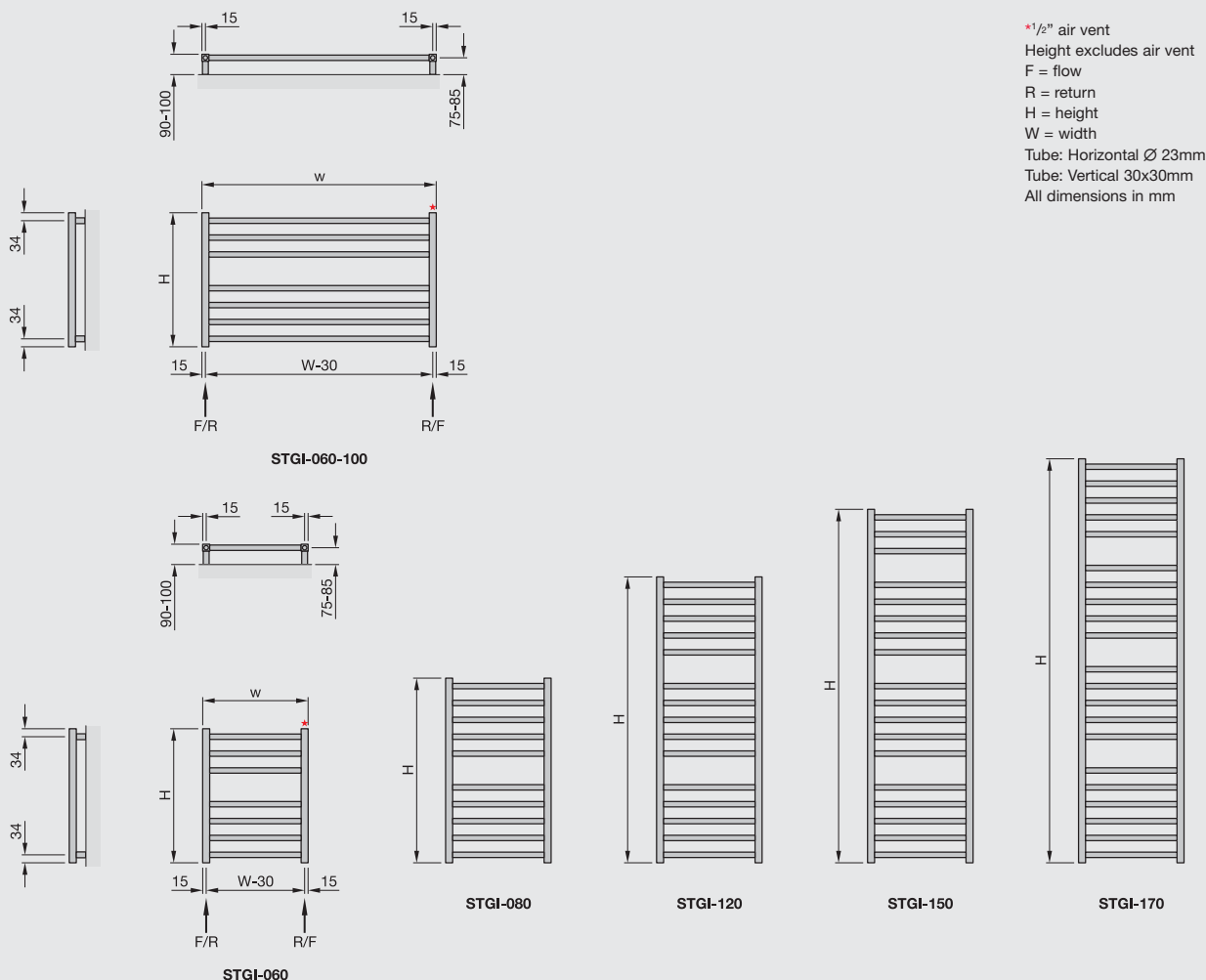


STAINLESS STEEL HEATED TOWEL RAILS AND RADIATORS

Stainless Steel STOCK listed in black	Height mm	Width mm	Finish	Output $\Delta T=50K$ Watts/btu All outputs certified to EN 442	Electric Immersion Rating Watts	Weight kg	RRP (ex VAT)	RRP (inc 20% VAT)
<b>Zehnder Stellar Spa Stainless Steel</b>								
STGI-060-045	572	450	s/steel polished	161/549	100	3.1	£209	£250.80
STGI-060-100	572	1000	s/steel polished	272/928	150	5.3	£375	£450.00
STGI-080-030	788	300	s/steel polished	171/583	100	3.4	£210	£252.00
STGI-080-045	788	450	s/steel polished	220/751	100	4.2	£252	£302.40
STGI-080-060	788	600	s/steel polished	243/829	150	5.0	£295	£354.00
STGI-120-030	1220	300	s/steel polished	240/819	150	5.2	£299	£358.80
STGI-120-045	1220	450	s/steel polished	309/1054	150	6.5	£342	£410.40
STGI-120-060	1220	600	s/steel polished	379/1293	200	7.7	£398	£477.60
STGI-150-045	1508	450	s/steel polished	361/1232	300	7.8	£527	£632.40
STGI-150-060	1508	600	s/steel polished	448/1529	300	9.3	£606	£727.20
STGI-170-045	1724	450	s/steel polished	434/1481	200	9.4	£609	£730.80
STGI-170-060	1724	600	s/steel polished	517/1764	300	11.2	£697	£836.40
STGI-060-045-CF	572	450	s/steel painted	219/747	150	3.1	£209	£250.80
STGI-060-100-CF	572	1000	s/steel painted	394/1344	300	5.3	£375	£450.00
STGI-080-030-CF	788	300	s/steel painted	218/744	150	3.4	£210	£252.00
STGI-080-045-CF	788	450	s/steel painted	294/1003	200	4.2	£252	£302.40
STGI-080-060-CF	788	600	s/steel painted	363/1239	200	5.0	£295	£354.00
STGI-120-030-CF	1220	300	s/steel painted	332/1133	200	5.2	£299	£358.80
STGI-120-045-CF	1220	450	s/steel painted	448/1529	300	6.5	£342	£410.40
STGI-120-060-CF	1220	600	s/steel painted	554/1890	400	7.7	£398	£477.60
STGI-150-045-CF	1508	450	s/steel painted	556/1897	400	7.8	£527	£632.40
STGI-150-060-CF	1508	600	s/steel painted	687/2344	500	9.3	£606	£727.20
STGI-170-045-CF	1724	450	s/steel painted	640/2184	400	9.4	£609	£730.80
STGI-170-060-CF	1724	600	s/steel painted	791/2699	500	11.2	£697	£836.40

**⚡** Dual Energy: Self Fit - Additional cost to Central Heating model prices see page 136 for details

**🎨** Colour finish: Standard colours from the Zehnder colour chart. Delivery of colour finish and non-stock products: 21 working days.



For full **CE** compliant technical specifications, refer to page 145  
 To make an approximate conversion from T=50K to T=60K multiply outputs by 1.2

# Zehnder Stellar Spa



Contemporary in design in stainless steel to suit the latest lifestyle trends. Suitable for dual energy installation for year-long comfort.



Valves: see page 130



Bracket detail



STAINLESS STEEL HEATED TOWEL RAILS AND RADIATORS

Stainless Steel Model STOCK listed in black	Height mm	Width mm	Finish	Output $\Delta T=50K$ Watts/btu All outputs certified to EN 442	Electric Immersion Rating Watts	Weight kg	RRP (ex VAT)	RRP (inc 20% VAT)
<b>Zehnder Subway Stainless Steel (brushed)</b>								
<b>SUBI-060-045</b>	613	450	stainless steel	221/754	150	5.1	<b>£408</b>	<b>£489.60</b>
<b>SUBI-130-045</b>	1261	450	stainless steel	370/1262	200	8.7	<b>£571</b>	<b>£685.20</b>
<b>SUBI-130-060</b>	1261	600	stainless steel	447/1525	300	10.4	<b>£633</b>	<b>£759.60</b>
<b>SUBI-150-045</b>	1549	450	stainless steel	445/1518	300	10.4	<b>£672</b>	<b>£806.40</b>
<b>SUBI-150-060</b>	1549	600	stainless steel	538/1836	300	12.4	<b>£748</b>	<b>£897.60</b>
<b>SUBI-180-060</b>	1837	600	stainless steel	633/2160	400	14.4	<b>£837</b>	<b>£1,004.40</b>

**⚡** Dual Energy: Self Fit - Additional cost to Central Heating model prices. See page 136 for details

Height mm	Width mm	Finish	Weight kg	Simple electric immersion heater Class II IPX4, Zones 1 bath, Zone 2 shower				Electric immersion heater with Safir Class II IPX4, Zones 1 bath, Zone 2 shower			
				Model	Electric rating	RRP (ex VAT)	RRP (inc 20% VAT)	Model	Electric rating	RRP (ex VAT)	RRP (inc 20% VAT)
<b>⚡</b> Zehnder Subway electric only models (with a choice of either a simple immersion heater (no controls) or the Safir immersion heater)											
1261	450	s/steel	13.2	SUBEI-130-045/F	300	<b>£662</b>	<b>£794.40</b>	SUBEI-130-045/IF	300	<b>£930</b>	<b>£1,116.00</b>
1549	450	s/steel	15.9	SUBEI-150-045/F	300	<b>£776</b>	<b>£931.20</b>	SUBEI-150-045/IF	300	<b>£1,100</b>	<b>£1,320.00</b>
1549	600	s/steel	19.6	SUBEI-150-060/F	500	<b>£858</b>	<b>£1,029.60</b>	SUBEI-150-060/IF	500	<b>£1,238</b>	<b>£1,485.60</b>
1837	600	s/steel	21.8	SUBEI-180-060/F	600	<b>£956</b>	<b>£1,147.20</b>	SUBEI-180-060/IF	600	<b>£1,356</b>	<b>£1,627.20</b>

Simple Electric Immersion heating has Safir casing without infra red control included.

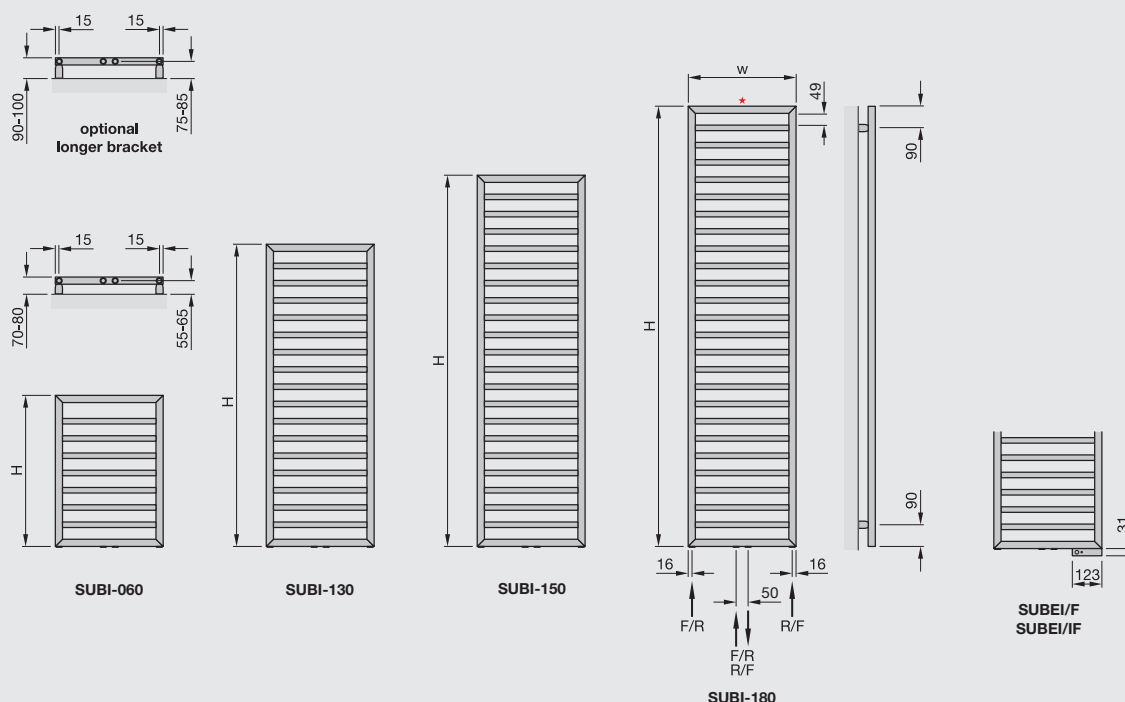
**Note:** Height does not include the immersion heater. (See diagrams below)

**Optional wall brackets: Increases space behind rail by 20mm**

Model		RRP (ex VAT)	RRP (inc 20% VAT)
952119	Subway SUB extended bracket kit. Painted finish	<b>£38</b>	<b>£45.60</b>

All brackets for stainless steel radiators are supplied with an Inox painted stainless steel finish.  
Delivery of non-stock products: 20 working days.

\*1/2" air vent  
Height excludes air vent  
F = flow  
R = return  
H = height  
W = width  
Tube: Horizontal  $\varnothing$  23mm  
Tube: Vertical 30x30mm  
All dimensions in mm



For full **CE** compliant technical specifications, refer to page 145  
To make an approximate conversion from T=50K to T=60K multiply outputs by 1.2

# Zehnder Subway



With its classic lines and broad appeal, the stainless steel Zehnder Subway towel rail offers versatility comfort and superb design.



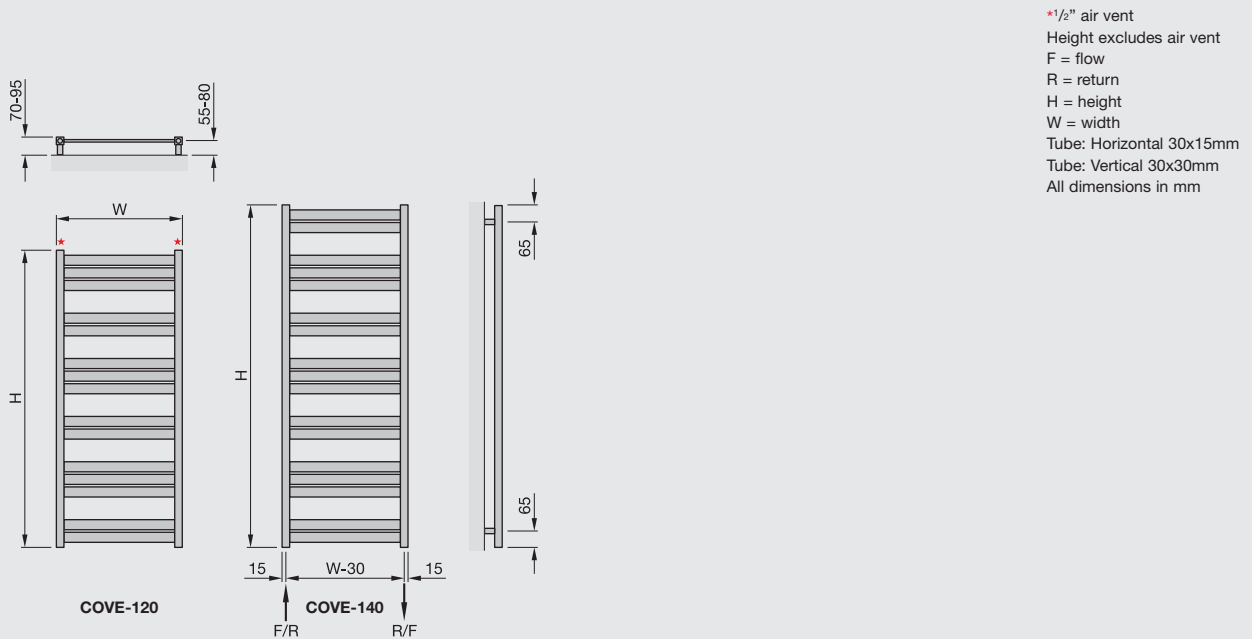
Valves: see page 130



STAINLESS STEEL HEATED TOWEL RAILS AND RADIATORS

Stainless Steel STOCK listed in black	Height mm	Width mm	Finish	Output $\Delta T=50K$ Watts/btu All outputs certified to EN 442	Electric Immersion Rating Watts	Weight kg	RRP (ex VAT)	RRP (inc 20% VAT)
Zehnder Cove Stainless Steel								
<b>COVE-120-050</b>	1180	500	stainless steel	304/1037	200	10.3	<b>£634</b>	<b>£760.80</b>
<b>COVE-120-060</b>	1180	600	stainless steel	351/1198	200	12.0	<b>£657</b>	<b>£788.40</b>
<b>COVE-140-050</b>	1360	500	stainless steel	345/1177	200	11.6	<b>£887</b>	<b>£1,064.40</b>
<b>COVE-140-060</b>	1360	600	stainless steel	402/1372	200	13.6	<b>£911</b>	<b>£1,093.20</b>

Dual Energy: Self Fit - Additional cost to Central Heating model prices see page 136 for details



For full compliant technical specifications, refer to page 145  
To make an approximate conversion from T=50K to T=60K multiply outputs by 1.2

# Zehnder Cove




Distinctive elegance combining brushed stainless steel with perfectly proportioned polished steel sections to enhance any bathroom design. 10 year warranty.



Valves: see page 130

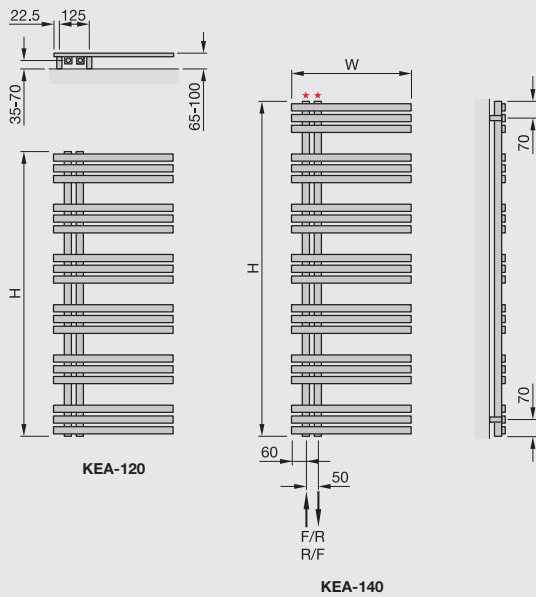


STAINLESS STEEL HEATED TOWEL RAILS AND RADIATORS


Stainless Steel STOCK listed in black	Height mm	Width mm	Finish	Output $\Delta T=50K$ Watts/btu All outputs certified to EN 442	Electric Immersion Rating Watts	Weight kg	RRP (ex VAT)	RRP (inc 20% VAT)
 Zehnder Keel Asym stainless steel								
<b>KEA-120-050-9517</b>	1190	500	s/steel brushed	307/1047	200	12.4	<b>£727</b>	<b>£872.40</b>
<b>KEA-140-050-9517</b>	1400	500	s/steel brushed	357/1218	200	14.5	<b>£827</b>	<b>£992.40</b>
<b>KEA-120-050-9516</b>	1190	500	s/steel polished	307/1047	200	12.4	<b>£798</b>	<b>£957.60</b>
<b>KEA-140-050-9516</b>	1400	500	s/steel polished	357/1218	200	14.5	<b>£909</b>	<b>£1,090.80</b>

 Dual Energy: Self Fit - Additional cost to Central Heating model prices see page 136 for details

\*1/2" air vent  
 † height excludes air vent  
 F = flow  
 R = return  
 Tube: Horizontal 30x15mm  
 Vertical 30x30mm



The Keel Asym can be installed with the horizontal tubes on the left or right hand side.

For full  compliant technical specifications, refer to page 146  
 To make an approximate conversion from T=50K to T=60K multiply outputs by 1.2



# Zehnder Keel Asym




Now available in both polished and brushed stainless steel, a stylishly practical radiator giving easy access for hanging towels, enhanced with a polished band of steel between the vertical tubes. 10 year warranty.




Valves: see page 130



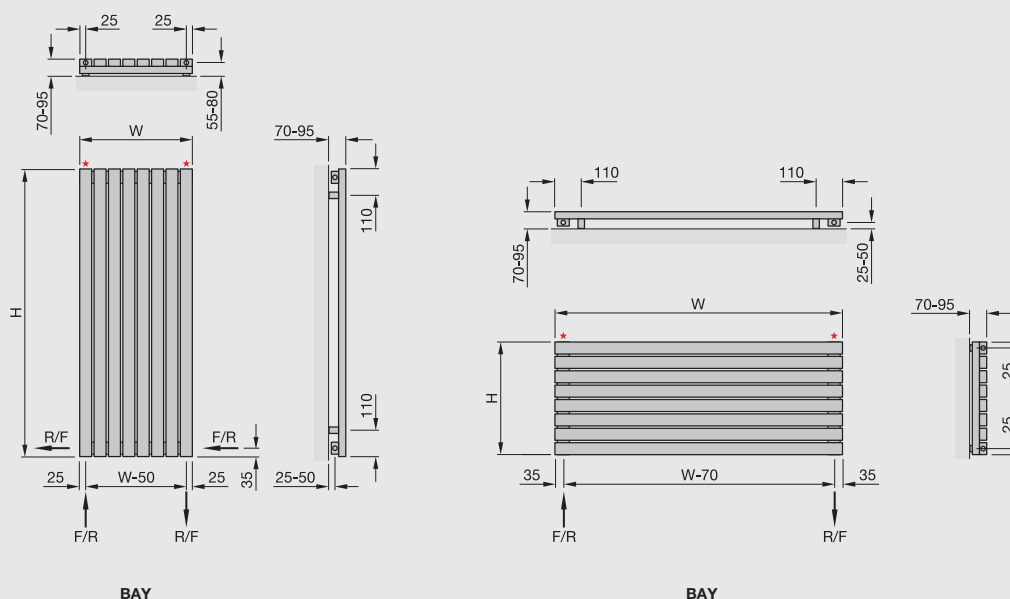
STAINLESS STEEL HEATED TOWEL RAILS AND RADIATORS


Stainless Steel STOCK listed in black	Height mm	Width mm	Finish	Number of elements	Output $\Delta T=50K$ Watts/btu All outputs certified to EN 442	Weight kg	RRP (ex VAT)	RRP (inc 20% VAT)
 Zehnder Bay Vertical stainless steel (brushed)								
<b>BAY-100-053</b>	1000	530	stainless steel	9	421/1436	15.3	<b>£613</b>	<b>£735.60</b>
<b>BAY-120-047</b>	1200	470	stainless steel	8	458/1563	16.0	<b>£644</b>	<b>£772.80</b>
<b>BAY-120-053</b>	1200	530	stainless steel	9	516/1761	18.0	<b>£716</b>	<b>£859.20</b>
<b>BAY-150-029</b>	1500	290	stainless steel	5	365/1245	12.5	<b>£511</b>	<b>£613.20</b>
<b>BAY-170-029</b>	1700	290	stainless steel	5	412/1406	14.0	<b>£589</b>	<b>£706.80</b>
<b>BAY-170-047</b>	1700	470	stainless steel	8	659/2249	22.4	<b>£921</b>	<b>£1,105.20</b>
<b>BAY-170-053</b>	1700	530	stainless steel	9	742/2532	25.2	<b>£1,019</b>	<b>£1,222.80</b>

Stainless Steel STOCK listed in black	Height mm	Width mm	Finish	Number of elements	Output $\Delta T=50K$ Watts/btu All outputs certified to EN 442	Weight kg	RRP (ex VAT)	RRP (inc 20% VAT)
 Zehnder Bay Horizontal stainless steel (brushed)								
<b>BAY-100-053</b>	530	1000	stainless steel	9	421/1436	15.3	<b>£613</b>	<b>£735.60</b>
<b>BAY-120-047</b>	470	1200	stainless steel	8	458/1563	16.0	<b>£644</b>	<b>£772.80</b>
<b>BAY-120-053</b>	530	1200	stainless steel	9	516/1761	18.0	<b>£716</b>	<b>£859.20</b>
<b>BAY-150-029</b>	290	1500	stainless steel	5	365/1245	12.5	<b>£511</b>	<b>£613.20</b>
<b>BAY-170-029</b>	290	1700	stainless steel	5	412/1406	14.0	<b>£589</b>	<b>£706.80</b>
<b>BAY-170-047</b>	470	1700	stainless steel	8	659/2249	22.4	<b>£921</b>	<b>£1,105.20</b>
<b>BAY-170-053</b>	530	1700	stainless steel	9	742/2532	25.2	<b>£1,019</b>	<b>£1,222.80</b>

Accessories			
Model		RRP (ex VAT)	RRP (inc 20% VAT)
<b>TPEG-0008</b>	Bay Peg Chrome finish	<b>£35</b>	<b>£42.00</b>
<b>TBAR-9517</b>	Bay Towel Bar 290mm Brushed stainless steel finish	<b>£72</b>	<b>£86.40</b>
<b>TBAR-9516</b>	Bay Towel Bar 290mm Polished stainless steel finish	<b>£99</b>	<b>£118.80</b>

\*1/2" air vent  
 Height excludes air vent  
 F = flow  
 R = return  
 H = height  
 W = width  
 Tube: 30x50mm  
 All dimensions in mm



For full  compliant technical specifications, refer to page 146  
 To make an approximate conversion from T=50K to T=60K multiply outputs by 1.2

# Zehnder Bay



Stainless steel radiator with a brushed finish. Attractively proportioned with 8 connection possibilities for total flexibility, to suit any installation requirement.



Accessories: see page 74



Valves: see page 130



Towel bars: see page 74





## General purpose radiators. Heating solutions for individuals.

Anyone furnishing a house or an apartment is guided not only by practical considerations but also by his or her own taste. Zehnder's radiators show how individual heating solutions for living areas can be achieved. Their wealth of shapes, colours, dimensions and functions provides inspiration for interior design which is bursting with personality.

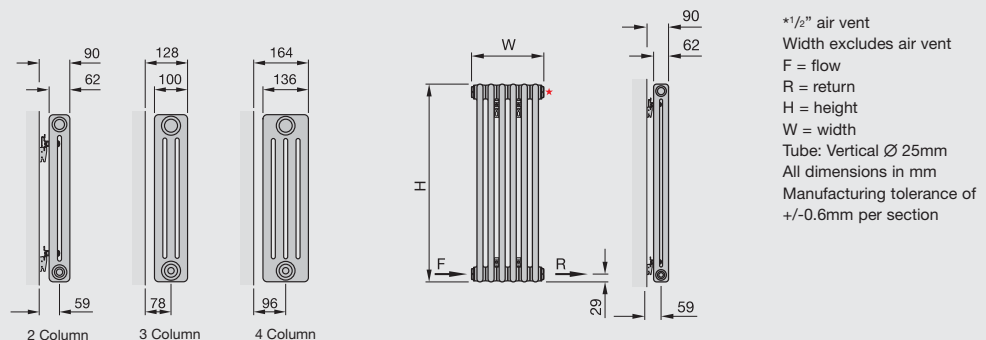


GENERAL PURPOSE RADIATORS

Central Heating Model STOCK listed in black	Height mm	Width mm	Overall Projection	No. of sections	Output $\Delta T=50K$ Watts/Btu All outputs certified to EN 442	Weight kg	RRP (ex VAT)	RRP (inc 20% VAT)
<b>Zehnder Charleston Horizontal white RAL 9016 - 2 column</b>								
2050-10	492	490	90	10	384/1310	7.9	£156	£187.20
2050-14	492	674	90	14	538/1836	11.0	£218	£261.60
2050-18	492	858	90	18	691/2358	14.2	£280	£336.00
2050-22	492	1042	90	22	845/2883	17.4	£342	£410.40
2050-26	492	1226	90	26	998/3405	20.5	£404	£484.80
2060-10	592	490	90	10	453/1546	9.5	£161	£193.20
2060-14	592	674	90	14	634/2163	13.3	£225	£270.00
2060-18	592	858	90	18	815/2781	17.1	£289	£346.80
2060-22	592	1042	90	22	997/3402	20.9	£354	£424.80
2060-24	592	1134	90	24	1080/3685	22.8	£386	£463.20
2060-28	592	1318	90	28	1260/4284	26.6	£450	£540.00
<b>Zehnder Charleston Horizontal white RAL 9016 - 3 column</b>								
3050-14	500	674	128	14	722/2463	16.6	£258	£309.60
3050-18	500	858	128	18	929/3170	21.4	£332	£398.40
3050-22	500	1042	128	22	1135/3873	26.2	£406	£487.20
3050-26	500	1226	128	26	1342/4579	30.9	£479	£574.80
3050-30	500	1410	128	30	1548/5282	35.7	£553	£663.60
3060-10	600	490	128	10	609/2078	13.9	£195	£234.00
3060-14	600	674	128	14	853/2910	19.4	£273	£327.60
3060-18	600	858	128	18	1096/3740	24.9	£350	£420.00
3060-20	600	950	128	20	1220/4163	27.7	£389	£466.80
3060-24	600	1134	128	24	1464/4995	33.2	£467	£560.40
3060-27	600	1272	128	27	1645/5613	37.3	£526	£631.20
3060-30	600	1410	128	30	1827/6234	41.6	£584	£700.80
3060-34	600	1594	128	34	2071/7066	47.0	£662	£794.40
3075-14	750	674	128	14	1040/3548	24.3	£306	£367.20
3075-22	750	1042	128	22	1635/5579	38.2	£480	£576.00
3075-26	750	1226	128	26	1932/6592	45.1	£568	£681.60
<b>Zehnder Charleston Horizontal white RAL 9016 - 4 column</b>								
4030-20	300	950	164	20	840/2866	21.3	£391	£469.20
4030-30	300	1410	164	30	1260/4299	32.0	£587	£704.40
4060-14	600	674	164	14	1117/3811	27.3	£287	£344.40
4060-18	600	858	164	18	1436/4900	35.1	£369	£442.80
4060-20	600	950	164	20	1592/5459	39.0	£410	£492.00
4060-24	600	1134	164	24	1920/6551	46.8	£492	£590.40
4075-14	750	674	164	14	1364/4654	33.6	£346	£415.20
4075-18	750	858	164	18	1753/5981	43.2	£445	£534.00
4075-22	750	1042	164	22	2143/7312	52.8	£544	£652.80
4075-26	750	1226	164	26	2532/8639	62.5	£643	£771.60
<b>Zehnder Charleston Horizontal anthracite - 3 column</b>								
3060-10-0346	600	490	128	10	609/2078	13.9	£224	£268.80
3060-14-0346	600	674	128	14	853/2910	19.4	£314	£376.80
3060-18-0346	600	858	128	18	1096/3740	24.9	£403	£483.60
3060-20-0346	600	950	128	20	1220/4163	27.7	£447	£536.40
3060-24-0346	600	1134	128	24	1464/4995	33.2	£537	£644.40
3060-27-0346	600	1272	128	27	1645/5613	37.3	£605	£726.00
3060-30-0346	600	1410	128	30	1827/6234	41.6	£672	£806.40
3060-34-0346	600	1594	128	34	2071/7066	47.0	£761	£913.20

Model code breakdown: eg. 3060-34 = 3 (number of columns), 060 (60cm high), 34 (number of sections). See next page for Accessories

**Colour finish:** Standard colours from the Zehnder colour chart including matt white finish: white RAL 9016 + 25%. Colour finish and non-stock products delivery: 15 working days.



For further technical drawings please see page 82

For full **CE** compliant technical specifications, refer to page 147  
To make an approximate conversion from T=50K to T=60K multiply outputs by 1.2

# Zehnder Charleston



The Zehnder Charleston multi-column design is equally at home in modern environments, and is available in a wide range of stocked horizontal and vertical models, or made-to-measure, including angled and curved.



Technoline 0325



Black-silver hammered 0422



Adjustable foot



Cast iron foot



Copper-black hammered finish 0421

GENERAL PURPOSE RADIATORS

Central Heating Model <b>STOCK</b> listed in black	Height mm	Width mm	Overall Projection	No. of sections	Output $\Delta T=50K$ Watts/Btu All outputs certified to EN 442	Weight kg	RRP (ex VAT)	RRP (inc 20% VAT)
<b>🔥</b> Zehnder Charleston Vertical white RAL 9016 - 2 column								
<b>2180-6</b>	1792	306	90	6	744/2539	16.4	<b>£230</b>	<b>£276.00</b>
<b>2180-8</b>	1792	398	90	8	992/3385	21.9	<b>£307</b>	<b>£368.40</b>
<b>2180-10</b>	1792	490	90	10	1240/4231	27.3	<b>£383</b>	<b>£459.60</b>
<b>2180-12</b>	1792	582	90	12	1488/5077	32.8	<b>£460</b>	<b>£552.00</b>
<b>🔥</b> Zehnder Charleston Vertical white RAL 9016 - 3 column								
<b>3180-6</b>	1800	306	128	6	996/3398	24.6	<b>£315</b>	<b>£378.00</b>
<b>3180-8</b>	1800	398	128	8	1328/4531	32.8	<b>£420</b>	<b>£504.00</b>
<b>3180-10</b>	1800	490	128	10	1660/5664	41.0	<b>£525</b>	<b>£630.00</b>

Model code breakdown: eg. 3180-6 = 3 (number of columns), 180 (180cm high), 6 (number of sections).

**🔥 Colour finish:** Standard colours from the Zehnder colour chart including matt white finish: white RAL 9016 + 25%. Colour finish and non-stock products delivery: 15 working days.

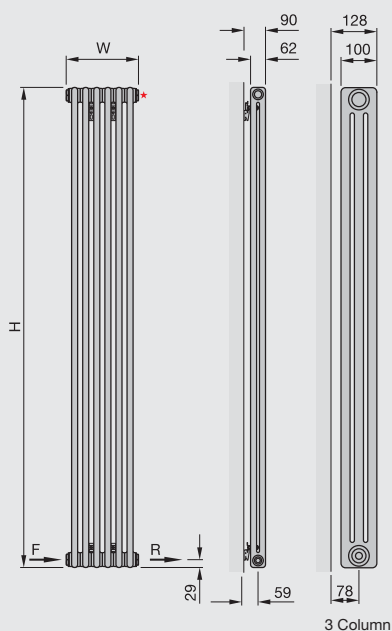
Accessories			
Model		RRP (ex VAT)	RRP (inc 20% VAT)
<b>966018</b>	Charleston chrome towel bar 368mm	<b>£128</b>	<b>£153.60</b>
<b>966028</b>	Charleston chrome towel bar 918mm	<b>£142</b>	<b>£170.40</b>

The additional chrome bar can be cut down to fit if required

<b>CTR-28</b> <b>NEW</b>	Chrome towel rail. Spans across 6 elements	<b>£108</b>	<b>£129.60</b>
<b>CTR-37</b> <b>NEW</b>	Chrome towel rail. Spans across 8 elements	<b>£114</b>	<b>£136.80</b>
<b>CTR-46</b> <b>NEW</b>	Chrome towel rail. Spans across 10 elements	<b>£118</b>	<b>£141.60</b>
<b>CTR-55</b> <b>NEW</b>	Chrome towel rail. Spans across 12 elements	<b>£121</b>	<b>£145.20</b>
<b>CTR-64</b> <b>NEW</b>	Chrome towel rail. Spans across 14 elements	<b>£129</b>	<b>£154.80</b>

Contains full length rail and two brackets.

\*1/2" air vent  
Width excludes air vent  
F = flow  
R = return  
H = height  
W = width  
Tube: Vertical  $\varnothing$  25mm  
All dimensions in mm  
Manufacturing tolerance of +/-0.6mm per section



For further technical drawings please see next page

For full **CE** compliant technical specifications, refer to page 147  
To make an approximate conversion from T=50K to T=60K multiply outputs by 1.2



# Zehnder Charleston



The Zehnder Charleston multi-column design is equally at home in modern environments, and is available in a wide range of stocked horizontal and vertical models, or made-to-measure, including angled and curved.



Valves: see page 130



Technoline 0325



See page 80



Technoline 0325



Technoline finish

GENERAL PURPOSE RADIATORS

Nominal Height mm	Model code	Output 50ΔT Watts/BTU	RRP white (ex VAT)	RRP colour (ex VAT)	Model code	Output 50ΔT Watts/BTU	RRP white (ex VAT)	RRP colour (ex VAT)	Model code	Output 50ΔT Watts/BTU	RRP white (ex VAT)	RRP colour (ex VAT)
<b>Zehnder Charleston - 2 column</b>					<b>3 column</b>				<b>4 column</b>			
200	2019	15/49	£15.35	£19.19	3019	20/69	£18.18	£22.73	4019	28/97	£19.52	£24.40
300	2030	24/81	£15.40	£19.25	3030	32/109	£18.23	£22.79	4030	42/143	£19.57	£24.46
400	2040	31/106	£15.45	£19.31	3040	42/143	£18.33	£22.91	4040	55/187	£20.29	£25.36
450	2045	35/119	£15.50	£19.38	3045	47/160	£18.39	£22.99	4045	61/209	£20.34	£25.43
500	2050	38/131	£15.55	£19.44	3050	52/176	£18.44	£23.05	4050	68/232	£20.39	£25.49
550	2055	42/143	£16.02	£20.03	3055	56/192	£19.42	£24.28	4055	74/251	£20.45	£25.56
600	2060	45/155	£16.07	£20.09	3060	61/208	£19.47	£24.34	4060	80/272	£20.50	£25.63
750	2075	55/188	£18.64	£23.30	3075	74/254	£21.84	£27.30	4075	97/332	£24.72	£30.90
900	2090	64/218	£21.53	£26.91	3090	87/297	£25.75	£32.19	4090	114/389	£29.87	£37.34
1000	2100	70/239	£23.69	£29.61	3100	95/324	£27.81	£34.76	4100	125/427	£32.96	£41.20
1200	2120	83/282	£29.46	£36.83	3120	115/392	£37.08	£46.35	4120	147/502	£46.35	£57.94
1500	2150	104/355	£34.71	£43.39	3150	140/478	£45.32	£56.65	4150	180/614	£58.71	£73.39
1800	2180	124/423	£38.32	£47.90	3180	166/566	£52.53	£65.66	4180	213/727	£65.92	£82.40
2000	2200	138/471	£42.23	£52.79	3200	183/624	£59.74	£74.68	4200	234/798	£73.13	£91.41

Nominal Height mm	Model code	Output 50ΔT Watts/BTU	RRP white (ex VAT)	RRP colour (ex VAT)	Model code	Output 50ΔT Watts/BTU	RRP white (ex VAT)	RRP colour (ex VAT)
<b>Zehnder Charleston - 5 column</b>					<b>6 column</b>			
200	5019	35/119	£25.24	£31.55	6019	42/142	£31.52	£39.40
300	5030	52/177	£25.75	£32.19	6030	61/209	£32.03	£40.04
400	5040	68/232	£26.78	£33.48	6040	81/275	£33.58	£41.98
450	5045	76/259	£27.81	£34.76	6045	90/306	£34.40	£43.00
500	5050	84/285	£28.33	£35.41	6050	99/338	£35.23	£44.04
550	5055	91/310	£29.46	£36.83	6055	108/369	£36.26	£45.33
600	5060	99/336	£30.49	£38.11	6060	117/399	£37.29	£46.61
750	5075	120/409	£31.52	£39.40	6075	143/488	£38.83	£48.54
900	5090	141/481	£35.74	£44.68	6090	167/570	£45.22	£56.53
1000	5100	154/525	£40.99	£51.24	6100	183/624	£51.50	£64.38
1200	5120	179/611	£53.56	£66.95	6120	210/717	£67.26	£84.08
1500	5150	219/747	£71.48	£89.35	6150	256/873	£84.05	£105.06

All data and prices per 46mm section

Dimensions:

Nominal overall radiator length = (No. of sections x 46mm) + 24mm (Manufacturing tolerance of ± 0.6 mm per section).

Selection example:

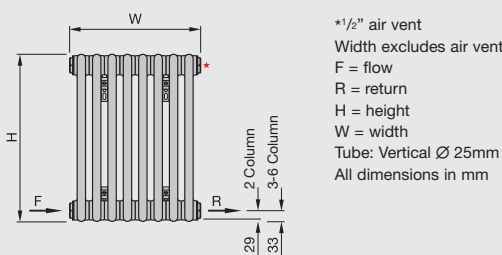
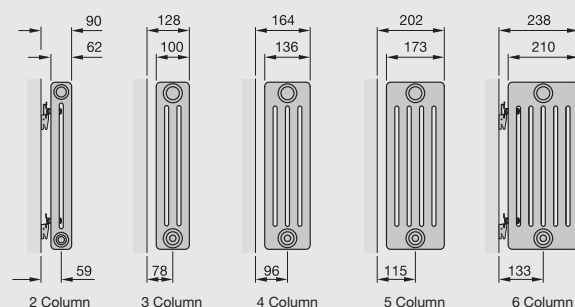
Output required: approximately 1000 watts  
 Dimensions required:  
 approximately 600mm H x 900mm L  
 Formula: (No. of sections x 46mm) + 24mm  
 Calculation of sections:  
 900mm - 24mm divided by 46 = 19 sections  
 1000w divided by 19 section =  
 approximately 52 watts/section required  
 Radiator selection: 3050 = 52 watts/section  
 52w x 19 section = 988 watts (50ΔT)  
 Price calculation:  
 19 sections x £18.44 = £350.36 plus vat

**Colour finish:** Standard colours from the Zehnder colour chart including matt white finish: white RAL 9016 + 25%. Colour finish and non-stock products delivery: 15 working days.

Foot support options (wall brackets included as standard)				
Model	No of Feet	RRP white (ex VAT)	RRP colour (ex VAT)	
Welded-on fixed (150mm) or adjustable (120-170mm). Price per radiator				
	1 - 20 sections	2	£61.00	£76.25
	21 - 40 sections	3	£91.50	£110.63
	41 - 60 sections	4	£122.00	£147.50
Welded-on traditional foot (100mm or 150mm). Price per radiator				
	1 - 20 sections	2 pairs	£84.00	£105.00
	21 - 40 sections	3 pairs	£126.00	£157.50
	41 - 60 sections	4 pairs	£168.00	£210.00
Adjustable foot (100-150mm). Price per foot				
	976131 white	1	£30.00	
	976139 colour	1		£38.00
Must always be used with wall brackets				
Cast iron foot (100mm high). Price per foot				
	ZPGG-9016	1	£20.00	
EasyFix brackets <b>NEW</b>				
	SMB-2PC		£31.00	£39.00
	SMB-3PC		£46.00	£58.00
	SMB-4PC		£51.00	£64.00
	SMB-5PC		£66.00	£83.00

Prices for Easyfix Brackets are given as a guide – please contact us to determine which brackets you require depending on the size of your radiator

**Please note:** We only supply complete radiators.  
 Additional sections cannot be joined to our stock range of radiators.  
 Prices for curved or angled radiators on application.  
 The number of sections/length is virtually unlimited. Practicality regarding weights, handling and accessibility should be taken into consideration.  
 Large radiators may be supplied in modules to be assembled on site.

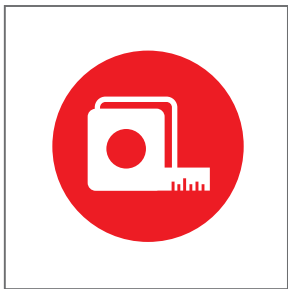


For full **CE** compliant technical specifications, refer to page 148  
 To make an approximate conversion from T=50K to T=60K multiply outputs by 1.2

# Zehnder Charleston



The Zehnder Charleston multi-column is available made-to-measure as vertical and horizontal models including angled and curved.



Made-to-measure



Standard CVD brackets supplied with Charleston radiators - colour to match the radiator



EasyFix bracket for radiators 300mm to 1000mm in height



EasyFix bracket for radiators below 260mm and above 1100mm in height



GENERAL PURPOSE RADIATORS

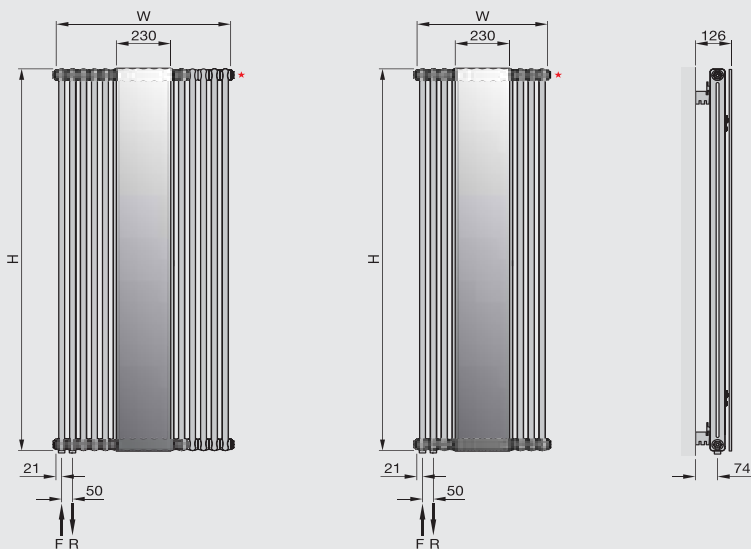
Central Heating Model STOCK listed in black	Height mm	Width mm	Finish	Depth mm	Output $\Delta T=50K$ Watts/btu All outputs certified to EN 442	Centre from wall	Overall projection	Weight kg	RRP (ex VAT)	RRP (inc 20% VAT)
<b>Zehnder Charleston Mirror</b>										
CM2180-12	1792	552	white	83	1401/4780	74	126	33.6	£553	£663.60
CM2180-16	1792	736	white	83	1792/6114	74	126	44.8	£648	£777.60

**Colour finish:** Standard colours from the Zehnder colour chart including matt white finish: white RAL 9016 + 25%. Colour finish and non-stock products delivery: 15 working days.

**Accessories**

Model		RRP (ex VAT)	RRP (inc 20% VAT)
601020	Lambswool cleaning brush	£50	£60.00
Adjustable feet (height 100 to 150mm)			
976131	white	£30	£36.00
976139 + colour	colour	£38	£45.60
Cast iron foot (height 100mm)			
ZPGG-9016	white	£20	£24.00

\*1/2" air vent  
 F = flow  
 R = return  
 H = height  
 W = width  
 Tube:  $\varnothing$  25mm  
 All dimensions in mm



Central Heating Model STOCK listed in black	Height mm	Width mm	Finish	Depth mm	Output $\Delta T=50K$ Watts/btu All outputs certified to EN 442	Centre from wall	Overall projection	Weight kg	RRP (ex VAT)	RRP (inc 20% VAT)
<b>Zehnder Charleston Relax</b>										
CR5026-13	455	800	white	250	543/1852	195	320	18.6	£630	£756.00
CR5026-18	455	1000	white	250	747/2549	195	320	25.1	£699	£838.80

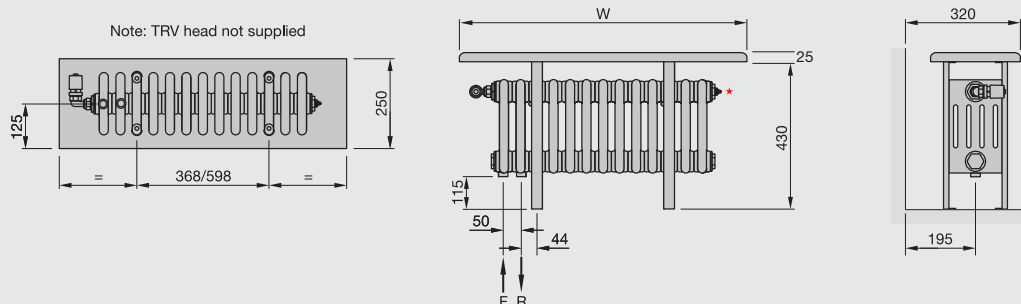
Bench seat: multiplex wood with beech finish

**Colour finish:** Standard colours from the Zehnder colour chart including matt white finish: white RAL 9016 + 25%. Colour finish and non-stock products delivery: 15 working days.

**Accessories**

Model		RRP (ex VAT)	RRP (inc 20% VAT)
819058	Chrome TRV Head (M30 x 1.5) note: TRV Head not supplied with the radiator	£36	£43.20
601020	Lambswool cleaning brush	£50	£60.00

\*1/2" air vent  
 F = flow  
 R = return  
 H = height  
 W = width  
 Tube:  $\varnothing$  25mm  
 All dimensions in mm



For full **CE** compliant technical specifications, refer to page 149  
 To make an approximate conversion from T=50K to T=60K multiply outputs by 1.2

# Zehnder Charleston Mirror



Warmth and comfort with a full-length mirror to enhance its elegance.



Valves: see page 130



# Zehnder Charleston Relax




Practical and clever for modern life styles, especially ideal for hallways and conservatories.



Valves: see page 130

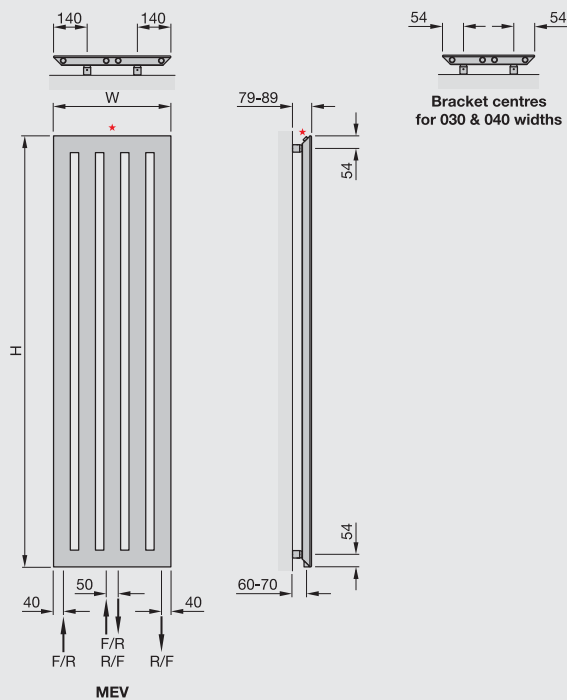



GENERAL PURPOSE RADIATORS

Central Heating Model <b>STOCK</b> listed in black	Height mm	Width mm	No. of sections	Finish	Output $\Delta T=50K$ Watts/btu All outputs certified to EN 442	Weight kg	RRP (ex VAT)	RRP (inc 20%) VAT
 Zehnder Metropolitan vertical tubes								
<b>MEV-180-030</b>	1800	280	3	white	490/1672	11.3	<b>£353</b>	<b>£423.60</b>
<b>MEV-180-040</b>	1800	385	4	white	643/2194	14.6	<b>£408</b>	<b>£489.60</b>
<b>MEV-180-050</b>	1800	490	5	white	791/2699	17.9	<b>£468</b>	<b>£561.60</b>
<b>MEV-180-060</b>	1800	595	6	white	934/3187	21.3	<b>£532</b>	<b>£638.40</b>
<b>MEV-200-040</b>	2000	385	4	white	714/2436	16.1	<b>£448</b>	<b>£537.60</b>
<b>MEV-200-050</b>	2000	490	5	white	878/2996	19.8	<b>£518</b>	<b>£621.60</b>
<b>MEV-200-060</b>	2000	595	6	white	1037/3538	23.5	<b>£590</b>	<b>£708.00</b>
<b>MEV-180-030-0336</b>	1800	280	3	volcanic	490/1672	11.3	<b>£441</b>	<b>£529.20</b>
<b>MEV-180-040-0336</b>	1800	385	4	volcanic	643/2194	14.6	<b>£510</b>	<b>£612.00</b>
<b>MEV-180-050-0336</b>	1800	490	5	volcanic	791/2699	17.9	<b>£585</b>	<b>£702.00</b>

 **Colour finish:** Standard colours from the Zehnder colour chart including matt white finish: white RAL 9016 + 25%. Colour finish and non-stock products delivery: 20 working days.

\*1/2" air vent  
 Frame: 70mm x 39mm triangular tubes  
 Flat tubes: 70mm x 8mm  
 F = flow  
 R = return  
 H = height  
 W = width  
 All dimensions in mm



For full  compliant technical specifications, refer to page 149  
 To make an approximate conversion from T=50K to T=60K multiply outputs by 1.2

# Zehnder Metropolitan



The Zehnder Metropolitan has a contemporary, minimalist appearance. Designed in Italy by the award-winning King and Miranda, the Metropolitan has beautiful clean cut lines to give a geometric shape with stylish sloping edges.



Amethyst Quartz



Valves: see page 130



White Aluminium

GENERAL PURPOSE RADIATORS

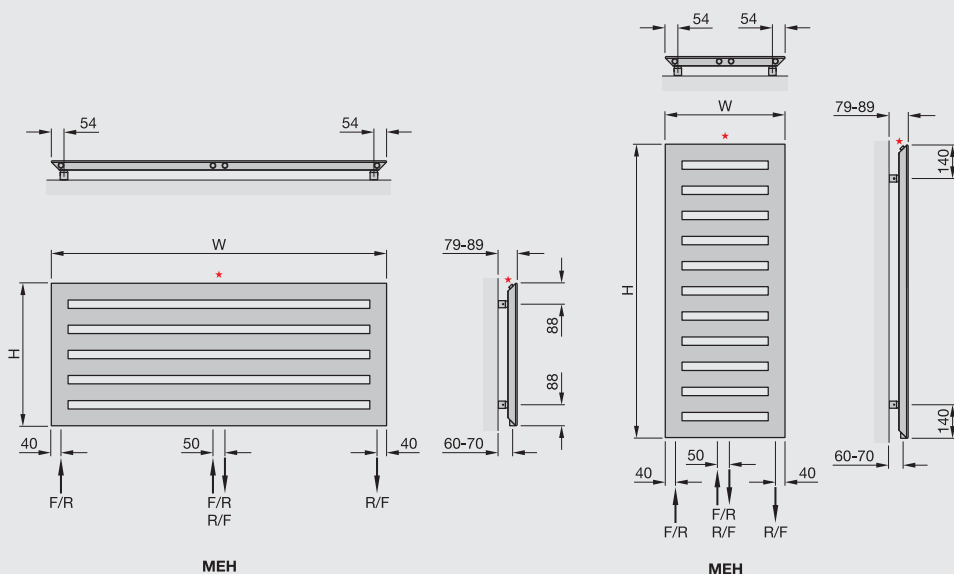
Central Heating Model <b>STOCK</b> listed in black	Height mm	Width mm	No. of sections	Finish	Output $\Delta T=50K$ Watts/btu All outputs certified to EN 442	Weight kg	RRP (ex VAT)	RRP (inc 20% VAT)
Zehnder Metropolitan horizontal tubes								
<b>MEH-030-140</b>	280	1400	3	white	376/1283	8.31	<b>£357</b>	<b>£428.40</b>
<b>MEH-040-140</b>	385	1400	4	white	474/1617	10.3	<b>£408</b>	<b>£489.60</b>
<b>MEH-040-160</b>	385	1600	4	white	542/1849	11.7	<b>£422</b>	<b>£506.40</b>
<b>MEH-050-140</b>	490	1400	5	white	585/1996	12.8	<b>£445</b>	<b>£534.00</b>
<b>MEH-050-160</b>	490	1600	5	white	669/2283	14.6	<b>£460</b>	<b>£552.00</b>
<b>MEH-050-180</b>	490	1800	5	white	753/2569	16.3	<b>£480</b>	<b>£576.00</b>
<b>MEH-060-090</b>	595	900	6	white	447/1525	10.1	<b>£445</b>	<b>£534.00</b>
<b>MEH-060-140</b>	595	1400	6	white	695/2371	15.3	<b>£489</b>	<b>£586.80</b>
<b>MEH-060-160</b>	595	1600	6	white	794/2709	17.4	<b>£509</b>	<b>£610.80</b>
<b>MEH-060-180</b>	595	1800	6	white	894/3050	19.5	<b>£528</b>	<b>£633.60</b>
<b>MEH-060-200</b>	595	2000	6	white	993/3388	21.6	<b>£550</b>	<b>£660.00</b>
<b>MEH-080-050</b>	805	500	8	white	387/1320	8.2	<b>£402</b>	<b>£482.40</b>
<b>MEH-080-060</b>	805	600	8	white	449/1532	9.7	<b>£415</b>	<b>£498.00</b>
<b>MEH-120-040</b>	1225	400	12	white	469/1600	10.3	<b>£439</b>	<b>£526.80</b>
<b>MEH-120-050</b>	1225	500	12	white	563/1921	12.4	<b>£447</b>	<b>£536.40</b>
<b>MEH-120-060</b>	1225	600	12	white	653/2228	14.5	<b>£464</b>	<b>£556.80</b>
<b>MEH-150-040</b>	1540	400	15	white	582/1986	12.0	<b>£518</b>	<b>£621.60</b>
<b>MEH-150-050</b>	1540	500	15	white	730/2491	14.4	<b>£527</b>	<b>£632.40</b>
<b>MEH-150-060</b>	1540	600	15	white	871/2972	16.8	<b>£545</b>	<b>£654.00</b>
<b>MEH-180-040</b>	1750	400	17	white	663/2262	14.4	<b>£579</b>	<b>£694.80</b>
<b>MEH-180-050</b>	1750	500	18	white	795/2713	17.4	<b>£589</b>	<b>£706.80</b>

**Colour finish:** Standard colours from the Zehnder colour chart including matt white finish: white RAL 9016 + 25%. Colour finish and non-stock products delivery: 20 working days.

**MEH accessories**

Model		RRP (ex VAT)	RRP (inc 20% VAT)
<b>468038</b>	Towel-bar for 400 mm width radiator, chrome plated	<b>£91</b>	<b>£109.20</b>
<b>468048</b>	Towel-bar for 500 mm width radiator, chrome plated	<b>£93</b>	<b>£111.60</b>
<b>468058</b>	Towel-bar 600 mm width radiator, two fixing points, chrome plated	<b>£96</b>	<b>£115.20</b>
<b>480438</b>	Set of hooks (2 pcs.), to clip on, chrome plated	<b>£41</b>	<b>£49.20</b>

\*1/2" air vent  
 Frame: 70mm x 39mm triangular tubes  
 Flat tubes: 70mm x 8mm  
 F = flow  
 R = return  
 H = height  
 W = width  
 All dimensions in mm



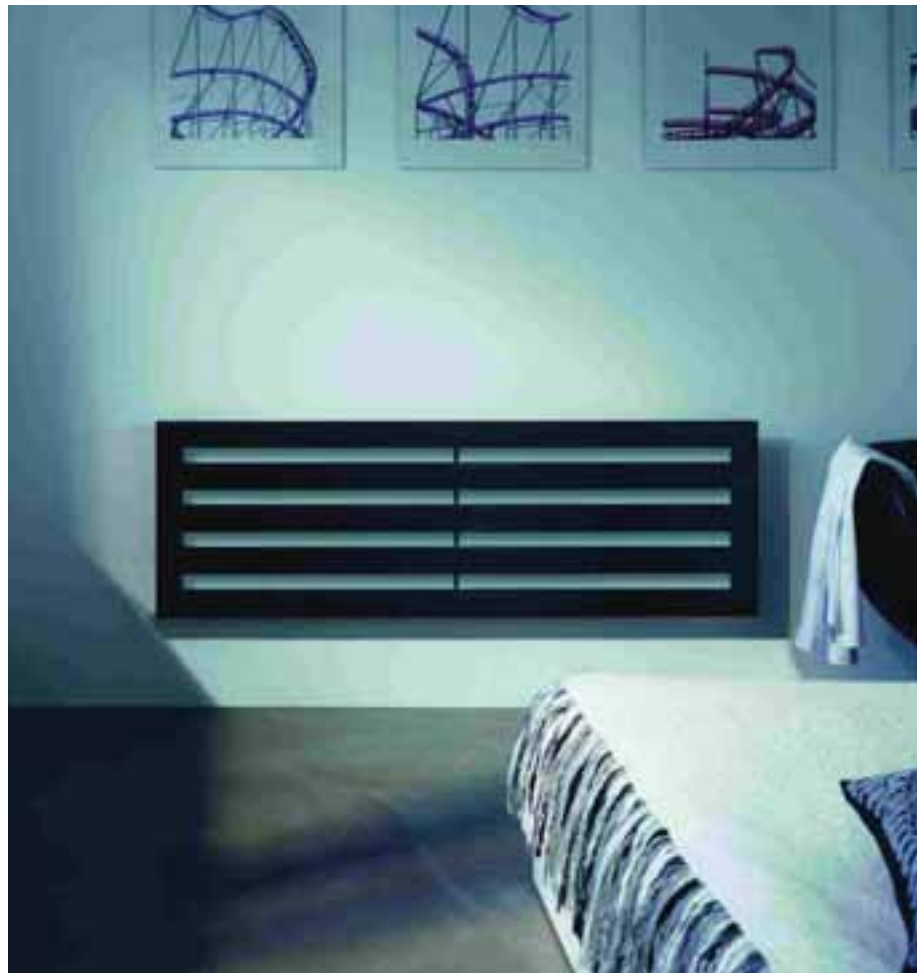
For full compliant technical specifications, refer to page 149  
 To make an approximate conversion from T=50K to T=60K multiply outputs by 1.2



# Zehnder Metropolitan



The Zehnder Metropolitan has clean lines and a contemporary, modern appeal. The Metropolitan is available in both landscape and portrait formats, with an optional bar as a useful yet attractive accessory.



Volcanic



Volcanic



Gold Look

GENERAL PURPOSE RADIATORS

Central Heating Model STOCK listed in black	Height mm	Width mm	Overall projection	Finnish	Number of tubes	Output $\Delta T=50K$ Watts/btu All outputs certified to EN 442	Weight kg	RRP (ex VAT)	RRP (inc 20% VAT)
<b>🔥 Zehnder Roda Vertical Single panel</b>									
ROV-180-029	1800	296	70	white	4	568/1940	12.0	£256	£307.20
ROV-180-037	1800	370	70	white	5	710/2425	15.0	£320	£384.00
ROV-180-044	1800	444	70	white	6	852/2910	18.0	£384	£460.80
ROV-180-051	1800	518	70	white	7	994/3395	21.0	£448	£537.60
ROV-180-059	1800	592	70	white	8	1136/3880	24.0	£512	£614.40
ROV-180-066	1800	666	70	white	9	1278/4365	27.0	£576	£691.20

<b>🔥 Zehnder Roda Vertical Double panel</b>									
ROVD-180-029	1800	296	93	white	4	824/2812	22.4	£472	£566.40
ROVD-180-037	1800	370	93	white	5	1030/3515	28.0	£590	£708.00
ROVD-180-044	1800	444	93	white	6	1236/4218	33.6	£708	£849.60
ROVD-180-051	1800	518	93	white	7	1442/4921	39.2	£826	£991.20
ROVD-180-059	1800	592	93	white	8	1648/5624	44.8	£944	£1,132.80
ROVD-180-066	1800	666	93	white	9	1854/6327	50.4	£1,062	£1,274.40

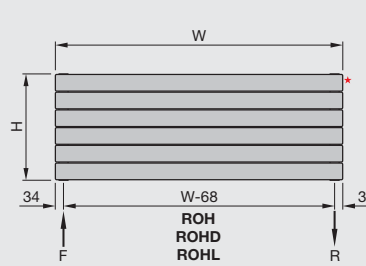
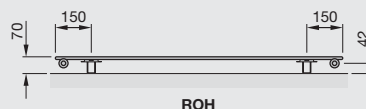
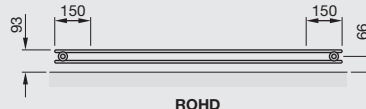
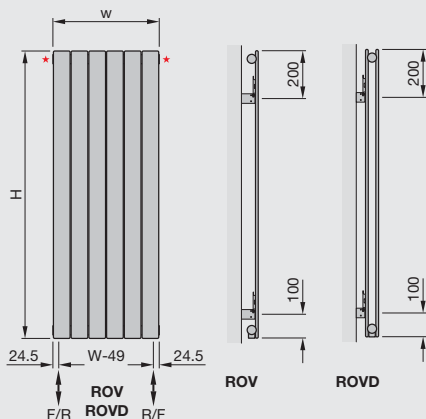
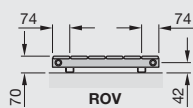
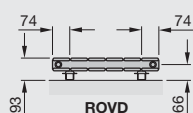
ROV & ROVD can be installed horizontally with TBSE connections either side.

Central Heating Model STOCK listed in black	Height mm	Width mm	Overall projection	Finnish	Number of tubes	Output $\Delta T=50K$ Watts/btu All outputs certified to EN 442	Weight kg	RRP (ex VAT)	RRP (inc 20% VAT)
<b>🔥 Zehnder Roda Horizontal Single panel</b>									
ROH-052-100	518	1000	70	white	7	586/1999	13.4	£317	£380.40
ROH-052-120	518	1200	70	white	7	703/2399	16.1	£380	£456.00
ROH-059-100	592	1000	70	white	8	665/2269	14.1	£344	£412.80
ROH-059-120	592	1200	70	white	8	798/2723	18.1	£413	£495.60
ROH-059-140	592	1400	70	white	8	931/3177	19.7	£482	£578.40

<b>🔥 Zehnder Roda Horizontal Single panel with single convector fin</b>									
ROHL-059-060	592	600	92	white	8	636/2170	13.2	£299	£358.80
ROHL-059-080	592	800	92	white	8	848/2894	17.6	£399	£478.80
ROHL-059-100	592	1000	92	white	8	1060/3617	22.0	£499	£598.80
ROHL-059-120	592	1200	92	white	8	1272/4340	26.4	£599	£718.80

<b>🔥 Zehnder Roda Horizontal Double panel</b>									
ROHD-059-060	592	600	93	white	8	641/2187	16.5	£371	£445.20
ROHD-059-080	592	800	93	white	8	855/2916	22.0	£495	£594.00
ROHD-059-100	592	1000	93	white	8	1069/3645	27.4	£619	£742.80
ROHD-059-120	592	1200	93	white	8	1283/4374	32.9	£743	£891.60

**🔥 Colour finish:** Standard colours from the Zehnder colour chart including matt white finish: white RAL 9016 + 25%. Colour finish and non-stock products delivery: 17 working days.



\*1/8" air vent  
Width excludes air vent  
F = flow  
R = return  
H = height  
W = width  
Tube dimensions 70mm x 11mm  
Vertical tubes:  $\varnothing$  38mm  
All dimensions in mm

flow & return can be manufactured reversed on request

For full **CE** compliant technical specifications, refer to page 150  
To make an approximate conversion from T=50K to T=60K multiply outputs by 1.2

# Zehnder Roda



A simple, effective and efficient design radiator, the Zehnder Roda radiator is perfect for all living areas, and is also available made-to-measure.



Accessories: see page 129



Valves: see page 130



**Zehnder Roda (ROV) vertical, single panel white**

Width		Height (mm)								
(mm)	No of tubes	ROV-060 600	ROV-080 800	ROV-100 1000	ROV-120 1200	ROV-140 1400	ROV-160 1600	ROV-180 1800	ROV-200 2000	ROV-220 2200
444	6	£270	£300	£318	£330	£348	£360	£384	£432	£504
518	7	£315	£350	£371	£385	£406	£420	£448	£504	£588
592	8	£360	£400	£424	£440	£464	£480	£512	£576	£672
666	9	£405	£450	£477	£495	£522	£540	£576	£648	£756
740	10	£450	£500	£530	£550	£580	£600	£640	£720	£840
814	11	£495	£550	£583	£605	£638	£660	£704	£792	£924
888	12	£540	£600	£636	£660	£696	£720	£768	£864	£1,008
Technical data per tube	Weight (kg)	1.3	1.6	1.9	2.1	2.4	2.7	3.0	3.3	3.6
	Output 50ΔT Watts/BTU	52/177	68/232	83/283	98/334	113/386	127/433	142/485	155/529	169/577

Output calculation example 50Δt (watts): 1800H x 592W: 142 x 8 = 1136w

**Zehnder Roda (ROVD) vertical, double panel white**

Width		Height (mm)								
(mm)	No of tubes	ROVD-060 600	ROVD-080 800	ROVD-100 1000	ROVD-120 1200	ROVD-140 1400	ROVD-160 1600	ROVD-180 1800	ROVD-200 2000	ROVD-220 2200
444	6	£492	£540	£582	£594	£624	£648	£708	£816	£906
518	7	£574	£630	£679	£693	£728	£756	£826	£952	£1,057
592	8	£656	£720	£776	£792	£832	£864	£944	£1,088	£1,208
666	9	£738	£810	£873	£891	£936	£972	£1,062	£1,224	£1,359
740	10	£820	£900	£970	£990	£1,040	£1,080	£1,180	£1,360	£1,510
814	11	£902	£990	£1,067	£1,089	£1,144	£1,188	£1,298	£1,496	£1,661
888	12	£984	£1,080	£1,164	£1,188	£1,248	£1,296	£1,416	£1,632	£1,812
Technical data per tube	Weight (kg)	2.1	2.7	3.3	3.9	4.4	5.0	5.6	6.2	6.7
	Output 50ΔT (Watts/BTU)	77/263	100/341	122/416	144/491	165/563	186/635	206/703	225/768	244/833

Output calculation example 50Δt (watts): 1800H x 592W: 206 x 8 = 1648w

**Zehnder Roda (ROH) horizontal, single panel white**

Model Code	Height		Technical data per metre		Width (mm)								
	(mm)	No of tubes	Weight (kg)	Output 50ΔT Watts/BTU	600	800	1000	1200	1400	1600	1800	2000	2200
ROH-030	296	4	7.2	344/1174	£143	£190	£238	£286	£333	£381	£428	£476	£524
ROH-037	370	5	9.0	425/1450	£158	£211	£264	£317	£370	£422	£475	£528	£581
ROH-044	444	6	10.7	506/1726	£175	£233	£291	£349	£407	£466	£524	£582	£640
ROH-052	518	7	12.4	586/1999	£190	£254	£317	£380	£444	£507	£571	£634	£697
ROH-060	592	8	14.1	665/2269	£206	£275	£344	£413	£482	£550	£619	£688	£757

Output calculation example 50Δt (watts): 518H x 1200L: 586 x 1.2 = 667w

**Zehnder Roda (ROHL) horizontal, single panel, single fin white**

Model Code	Height		Technical data per metre		Width (mm)								
	(mm)	No of tubes	Weight (kg)	Output 50ΔT Watts/BTU	600	800	1000	1200	1400	1600	1800	2000	2200
ROHL-014	148	2	7.0	350/1194	£160	£214	£267	£320	£374	£427	£481	£534	£587
ROHL-022	222	3	10.7	511/1744	£184	£245	£306	£367	£428	£490	£551	£612	£673
ROHL-030	296	4	14.3	637/2173	£207	£276	£345	£414	£483	£552	£621	£690	£759
ROHL-037	370	5	16.1	719/2453	£230	£307	£384	£461	£538	£614	£691	£768	£845
ROHL-044	444	6	18.7	845/2883	£253	£337	£421	£505	£589	£674	£758	£842	£926
ROHL-052	518	7	19.5	927/3163	£276	£368	£460	£552	£644	£736	£828	£920	£1,012
ROHL-060	592	8	23.6	1060/3617	£299	£399	£499	£599	£699	£798	£898	£998	£1,098

Output calculation example 50Δt (watts): 518H x 1200L: 927 x 1.2 = 1112w

Details on intermediate sizes are available on request (1-20 tubes)

**Colour finish:** Standard colours from the Zehnder colour chart including matt white finish: white RAL 9016 + 25%. Colour finish and non-stock products delivery: 17 working days.

**All prices exclude VAT**

For full **CE** compliant technical specifications, refer to page 150  
To make an approximate conversion from T=50K to T=60K multiply outputs by 1.2

# Zehnder Roda



Made-to-measure Zehnder Roda radiators are easy and quick to order. They are simple, effective and efficient decorative radiators, available as horizontal or vertical, and are perfect for all living areas.




Made-to-measure



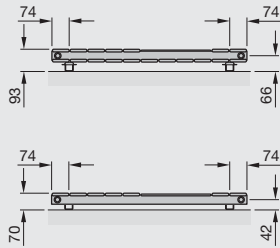
Valves: see page 130



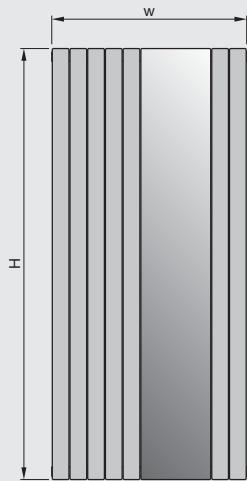
GENERAL PURPOSE RADIATORS

Central Heating Model <b>STOCK</b> listed in black	Height mm	Width mm	Finish	Number of elements	Output $\Delta T=50K$ Watts/btu All outputs certified to EN 442	Weight kg	RRP (ex VAT)	RRP (inc 20% VAT)
 Zehnder Roda Mirror								
<b>ROM-180-067</b>	1800	666	white	3+2	680/2320	24.6	<b>£618</b>	<b>£741.60</b>
<b>ROM-180-081</b>	1800	814	white	5+2	952/3248	31.0	<b>£709</b>	<b>£850.80</b>
<b>ROMD-180-067</b>	1800	666	white	6+4	1355/4623	51.6	<b>£1,113</b>	<b>£1,335.60</b>
<b>ROMD-180-081</b>	1800	814	white	10+4	1527/5210	64.0	<b>£1,276</b>	<b>£1,531.20</b>

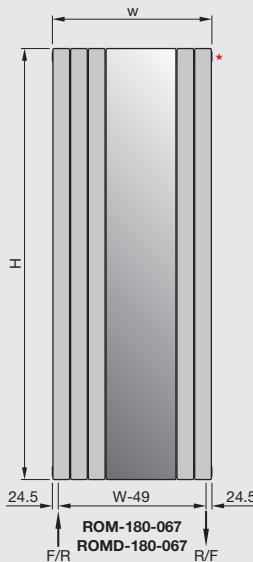
 **Colour finish:** Standard colours from the Zehnder colour chart including matt white finish: white RAL 9016 + 25%. Colour finish and non-stock products delivery: 17 working days.



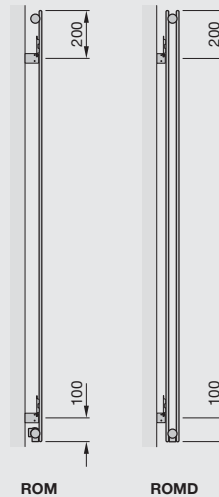
\*1/8" air vent  
Width excludes air vent  
F = flow  
R = return  
H = height  
W = width  
Tube: Dimensions 70mm x 11mm  
Tube: Horizontal tubes:  $\varnothing$  38mm  
All dimensions in mm




**ROM-180-081**  
**ROMD-180-081**



**ROM-180-067**  
**ROMD-180-067**



**ROM**      **ROMD**

For full  compliant technical specifications, refer to page 151  
To make an approximate conversion from T=50K to T=60K multiply outputs by 1.2

# Zehnder Roda Mirror



Warmth and comfort with a full length mirror to enhance its elegance, the Zehnder Roda Mirror is an asset to any home.



Accessories: see page 129



Valves: see page 130



Ruby Red

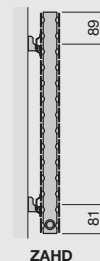
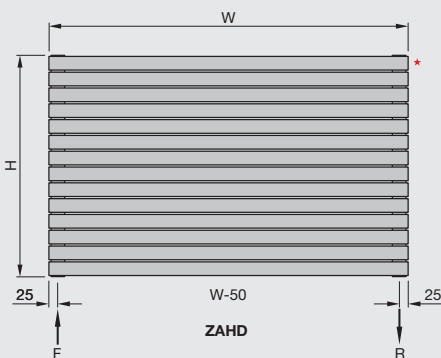
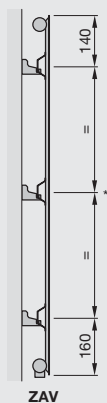
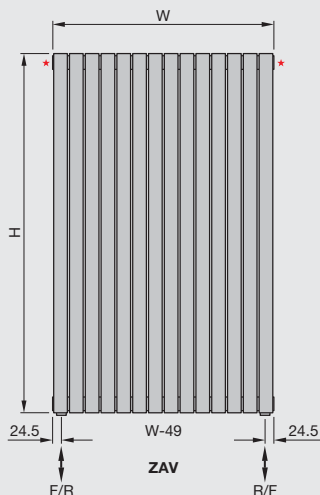
GENERAL PURPOSE RADIATORS

Central Heating Model STOCK listed in black	Height mm	Width mm	Number of tubes	Finish	Output $\Delta T=50K$ Watts/btu All outputs certified to EN 442	Pipe centres	Weight kg	RRP (ex VAT)	RRP (inc 20% VAT)
<b>Zehnder Ax Vertical Single Panel</b>									
ZAV-180-035	1800	352	8	white	704/2196	303	12.9	£312	£374.40
ZAV-180-044	1800	440	10	white	880/3003	391	16.1	£390	£468.00
ZAV-180-053	1800	528	12	white	1056/4468	479	19.3	£468	£561.60
ZAV-180-061	1800	616	14	white	1232/4204	567	22.5	£546	£655.20

Central Heating Model STOCK listed in black	Height mm	Width mm	Number of tubes	Finish	Output $\Delta T=50K$ Watts/btu All outputs certified to EN 442	Pipe centres	Weight kg	RRP (ex VAT)	RRP (inc 20% VAT)
<b>Zehnder Ax Horizontal Double Panel</b>									
ZAHD-061-080	616	800	14	white	884/3016	750	19.9	£454	£544.80
ZAHD-061-100	616	1000	14	white	1105/3770	950	24.9	£568	£681.60
ZAHD-061-120	616	1200	14	white	1326/4524	1150	29.8	£682	£818.40
ZAHD-061-140	616	1400	14	white	1547/5278	1350	34.8	£795	£954.00

**Colour finish:** Standard colours from the Zehnder colour chart including matt white finish: white RAL 9016 + 25%. Colour finish and non-stock products delivery: 18 working days.

\*1/8" air vent  
Width excludes air vent  
F = flow  
R = return  
H = height  
W = width  
Tube: Horizontal  $\varnothing$  38x10.5  
Tube: Vertical  $\varnothing$  38mm  
All dimensions in mm



For full **CE** compliant technical specifications, refer to page 151  
To make an approximate conversion from T=50K to T=60K multiply outputs by 1.2



# Zehnder Ax



Also available made-to measure, the unique Zehnder Ax with its slim-line single or double tubes adds comfort and style to your home.



Zehnder Taurus double hook: see page 129



Valves: see page 130



Titane



White Aluminium

Zehnder Ax (ZAV) vertical single panel										
Width		Model Code / Height (mm)								
(mm)	No of tubes	ZAV-060 600	ZAV-080 800	ZAV-100 1000	ZAV-120 1200	ZAV-140 1400	ZAV-160 1600	ZAV-180 1800	ZAV-200 2000	ZAV-220 2200
264	6	£162	£174	£186	£198	£210	£222	£234	£252	£264
352	8	£216	£232	£248	£264	£280	£296	£312	£336	£352
440	10	£270	£290	£310	£330	£350	£370	£390	£420	£440
528	12	£324	£348	£372	£396	£420	£444	£468	£504	£528
616	14	£378	£406	£434	£462	£490	£518	£546	£588	£616
704	16	£432	£464	£496	£528	£560	£592	£624	£672	£704
792	18	£486	£522	£558	£594	£630	£666	£702	£756	£792
880	20	£540	£580	£620	£660	£700	£740	£780	£840	£880
968	22	£594	£638	£682	£726	£770	£814	£858	£924	£968
Technical data per tube	Weight (kg)	0.6	0.8	1.0	1.1	1.3	1.5	1.2	1.8	2.0
	Output 50ΔT Watts/BTU	33/113	42/144	51/175	60/206	70/237	79/269	88/300	98/333	107/365

Output calculation example 50Δt (watts): 1800H x 528L: 12 x 88 = 1056w

Zehnder Ax (ZAVD) vertical double panel										
Width		Model Code / Height (mm)								
(mm)	No of tubes	ZAVD-060 600	ZAVD-080 800	ZAVD-100 1000	ZAVD-120 1200	ZAVD-140 1400	ZAVD-160 1600	ZAVD-180 1800	ZAVD-200 2000	ZAVD-220 2200
264	6	£270	£288	£318	£348	£372	£402	£408	£444	£468
352	8	£360	£384	£424	£464	£496	£536	£544	£592	£624
440	10	£450	£480	£530	£580	£620	£670	£680	£740	£780
528	12	£540	£576	£636	£696	£744	£804	£816	£888	£936
616	14	£630	£672	£742	£812	£868	£938	£952	£1,036	£1,092
704	16	£720	£768	£848	£928	£992	£1,072	£1,088	£1,184	£1,248
792	18	£810	£864	£954	£1,044	£1,116	£1,206	£1,224	£1,332	£1,404
880	20	£900	£960	£1,060	£1,160	£1,240	£1,340	£1,360	£1,480	£1,560
968	22	£990	£1,056	£1,166	£1,276	£1,364	£1,474	£1,496	£1,628	£1,716
Technical data per tube	Weight (kg)	1.1	1.5	1.8	2.1	2.4	2.8	3.1	3.4	3.8
	Output 50ΔT Watts/BTU	51/174	66/223	80/272	94/320	108/368	122/416	136/464	150/512	164/560


Output calculation example 50Δt (watts): 1800H x 528L: 12 x 136 = 1632w

Zehnder Ax (ZAH) horizontal single panel													
Model Code	Height		Technical data per metre		Width (mm)								
	(mm)	No of tubes	Weight (kg)	Output 50ΔT Watts/BTU	600	800	1000	1200	1400	1600	1800	2000	2200
ZAH-026	264	6	6.1	308/1051	£169	£225	£281	£337	£393	£450	£506	£562	£618
ZAH-035	352	8	8.0	414/1413	£181	£242	£302	£362	£423	£483	£544	£604	£664
ZAH-044	440	10	10.0	520/1774	£201	£268	£335	£402	£469	£536	£603	£670	£737
ZAH-053	528	12	11.9	625/2133	£224	£299	£374	£449	£524	£598	£673	£748	£823
ZAH-062	616	14	13.8	730/2491	£236	£314	£393	£472	£550	£629	£707	£786	£865


Output calculation example 50Δt (watts): 616H x 1400L: 1.4 x 730 = 1022w

Zehnder Ax (ZAHd) horizontal double panel													
Model Code	Height		Technical data per metre		Width (mm)								
	(mm)	No of tubes	Weight (kg)	Output 50ΔT Watts/BTU	600	800	1000	1200	1400	1600	1800	2000	2200
ZAHd-026	264	6	11.0	529/1805	£209	£279	£349	£419	£489	£558	£628	£698	£768
ZAHd-035	352	8	14.6	680/2320	£234	£312	£390	£468	£546	£624	£702	£780	£858
ZAHd-044	440	10	18.1	825/2815	£280	£374	£467	£560	£654	£747	£841	£934	£1,027
ZAHd-053	528	12	21.7	966/3296	£317	£422	£528	£634	£739	£845	£950	£1,056	£1,162
ZAHd-062	616	14	25.3	1105/3770	£341	£454	£568	£682	£795	£909	£1,022	£1,136	£1,250

Output calculation example 50Δt (watts): 616H x 1400L: 1.4 x 1105 = 1547w

 **Colour finish:** Standard colours from the Zehnder colour chart including matt white finish: white RAL 9016 + 25%. Colour finish and non-stock products delivery: 18 working days.

**All prices exclude VAT**

For full  compliant technical specifications, refer to page 151  
To make an approximate conversion from T=50K to T=60K multiply outputs by 1.2

# Zehnder Ax



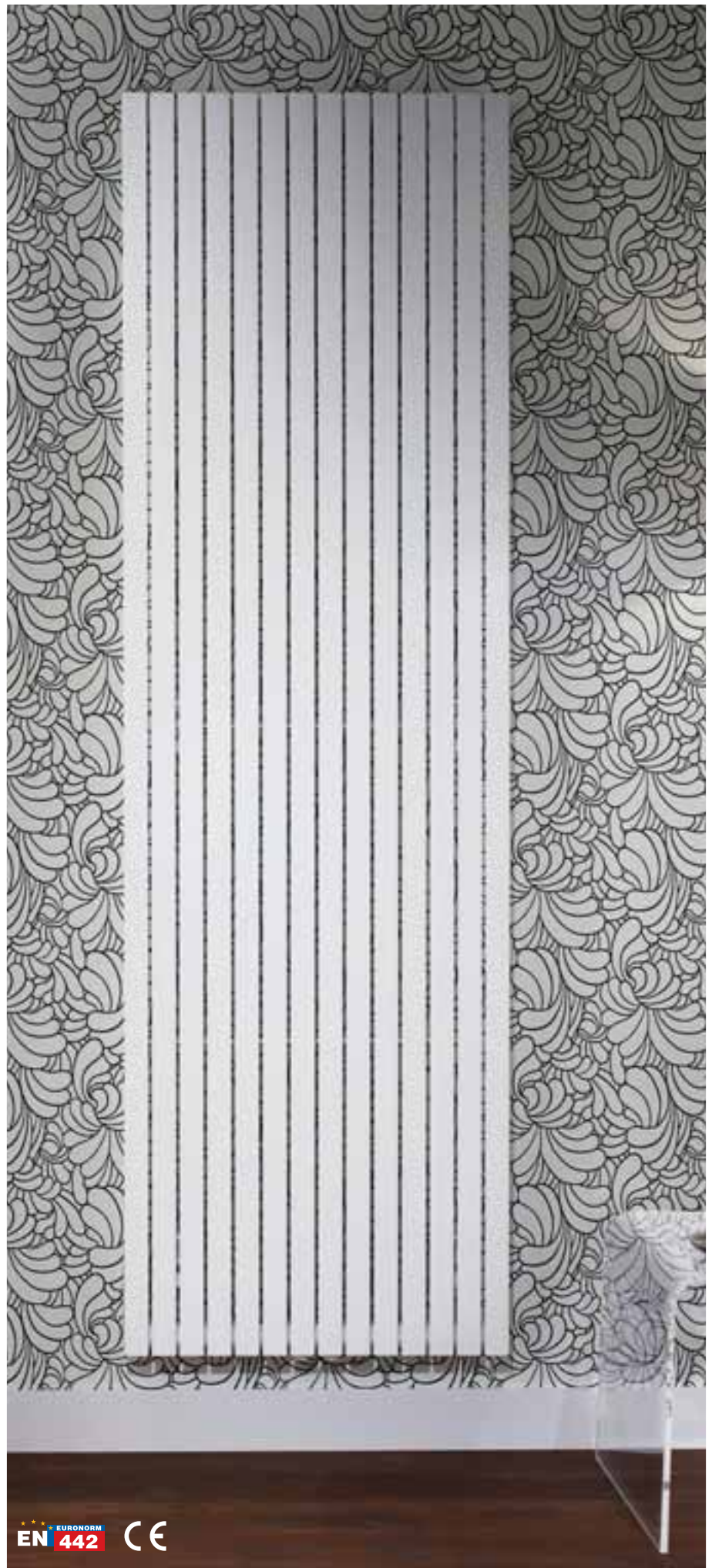
Purchased from stock or made-to-measure, the Zehnder Ax, with its unique slim-line single or double tubes, can meet any central heating requirement.




Made-to-measure




Valves: see page 130



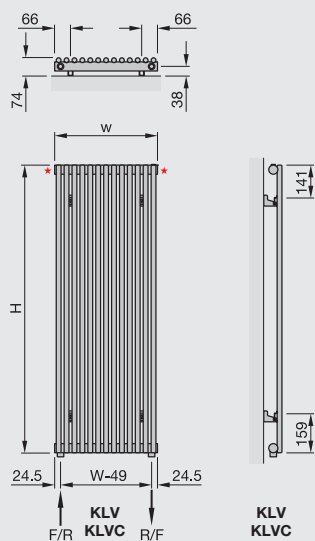
GENERAL PURPOSE RADIATORS


Central Heating Model STOCK listed in black	Height mm	Width mm	Number of tubes	Finish	Output $\Delta T=50K$ Watts/btu All outputs certified to EN 442	Pipe centres	Weight kg	RRP (ex VAT)	RRP (inc 20% VAT)
 Zehnder Kleo vertical single panel									
<b>KLV-180-030</b>	1800	299	9	white	632/2156	248	10.3	<b>£202</b>	<b>£242.40</b>
<b>KLV-180-040</b>	1800	398	12	white	842/2874	347	13.7	<b>£247</b>	<b>£296.40</b>
<b>KLV-180-050</b>	1800	497	15	white	1053/3593	446	17.0	<b>£292</b>	<b>£350.40</b>
<b>KLV-180-060</b>	1800	596	18	white	1260/4320	545	21.6	<b>£337</b>	<b>£404.40</b>
<b>KLVC-180-030</b>	1800	299	9	chrome	448/1529	248	10.3	<b>£376</b>	<b>£451.20</b>
<b>KLVC-180-040</b>	1800	398	12	chrome	597/2040	347	13.7	<b>£459</b>	<b>£550.80</b>
<b>KLVC-180-050</b>	1800	497	15	chrome	747/2549	446	17.0	<b>£543</b>	<b>£651.60</b>
<b>KLVC-180-060</b>	1800	596	18	chrome	896/3057	545	21.6	<b>£627</b>	<b>£752.40</b>

The KLV can also be installed horizontally with TBSE connections on either side.

 **Colour finish:** Standard colours from the Zehnder colour chart including matt white finish: white RAL 9016 + 25%. Colour finish and non-stock products delivery: 20 working days.

\*1/8" air vent  
 Width excludes air vent  
 F = flow  
 R = return  
 H = height  
 W = width  
 Tube: Horizontal  $\varnothing$  38mm  
 Tube: Vertical  $\varnothing$  20mm  
 All dimensions in mm



For full  compliant technical specifications, refer to page 153  
 To make an approximate conversion from T=50K to T=60K multiply outputs by 1.2

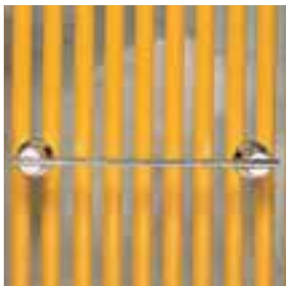
# Zehnder Kleo



Elegant single tubed vertical radiators stocked in white and chrome and available in made-to-measure options. See page 104.



Anthracite



Standard towel bar:  
see page 129



Valves: see page 130



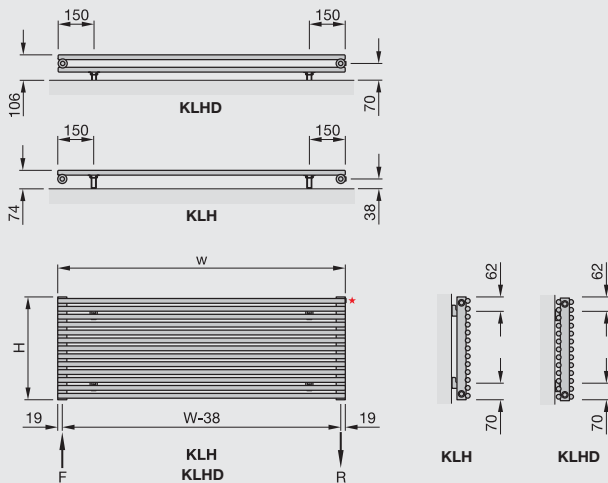
GENERAL PURPOSE RADIATORS

Central Heating Model <b>STOCK</b> listed in black	Height mm	Width mm	Number of tubes	Finish	Output $\Delta T=50K$ Watts/btu All outputs certified to EN 442	Pipe centres	Weight kg	RRP (ex VAT)	RRP (inc 20% VAT)
Zehnder Kleo horizontal single panel									
<b>KLH-058-100</b>	596	1000	18	white	782/2668	962	12.4	<b>£252</b>	<b>£302.40</b>
<b>KLH-058-120</b>	596	1200	18	white	938/3201	1162	14.9	<b>£276</b>	<b>£331.20</b>
<b>KLH-058-140</b>	596	1400	18	white	1094/3735	1362	17.4	<b>£299</b>	<b>£358.80</b>
Zehnder Kleo horizontal double panel									
<b>KLHD-058-100</b>	596	1000	18	white	1211/4134	962	22.6	<b>£440</b>	<b>£528.00</b>
<b>KLHD-058-120</b>	596	1200	18	white	1453/4961	1162	27.1	<b>£481</b>	<b>£577.20</b>
<b>KLHD-058-140</b>	596	1400	18	white	1695/5787	1362	31.6	<b>£522</b>	<b>£626.40</b>

Made to measure sizes available (excluding chrome KLHD models)

**Colour finish:** Standard colours from the Zehnder colour chart including matt white finish: white RAL 9016 + 25%. Colour finish and non-stock products delivery: 20 working days.

\*1/8" air vent  
Width excludes air vent  
F = flow  
R = return  
H = height  
W = width  
Tube: Horizontal  $\varnothing$  38mm  
Tube: Vertical  $\varnothing$  20mm  
All dimensions in mm



For full compliant technical specifications, refer to page 153  
To make an approximate conversion from T=50K to T=60K multiply outputs by 1.2

# Zehnder Kleo



Elegant, single or double tubed horizontal radiators with made-to-measure options. See page 104.




Valves: see page 130

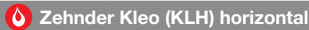


Volcanic



										
Width		Model Code / Height (mm)								
(mm)	No of tubes	KLV-060 600	KLV-080 800	KLV-100 1000	KLV-120 1200	KLV-140 1400	KLV-160 1600	KLV-180 1800	KLV-200 2000	KLV-220 2200
264	8	£123	£131	£147	£155	£171	£179	£187	£195	£203
330	10	£137	£147	£167	£177	£197	£207	£217	£227	£237
396	12	£151	£163	£187	£199	£223	£235	£247	£259	£271
462	14	£165	£179	£207	£221	£249	£263	£277	£291	£305
528	16	£179	£195	£227	£243	£275	£291	£307	£323	£339
594	18	£193	£211	£247	£265	£301	£319	£337	£355	£373
660	20	£207	£227	£267	£287	£327	£347	£367	£387	£407
726	22	£221	£243	£287	£309	£353	£375	£397	£419	£441
792	24	£235	£259	£307	£331	£379	£403	£427	£451	£475
858	26	£249	£275	£327	£353	£405	£431	£457	£483	£509
924	28	£263	£291	£347	£375	£431	£459	£487	£515	£543
990	30	£277	£307	£367	£397	£457	£487	£517	£547	£577
1056	32	£291	£323	£387	£419	£483	£515	£547	£579	£611
1122	34	£305	£339	£407	£441	£509	£543	£577	£611	£645
1188	36	£319	£355	£427	£463	£535	£571	£607	£643	£679
1254	38	£333	£371	£447	£485	£561	£599	£637	£675	£713
1320	40	£347	£387	£467	£507	£587	£627	£667	£707	£747
Technical data per tube	Weight (kg)	0.5	0.6	0.7	0.8	0.9	1.0	1.2	1.3	1.4
	Output 50ΔT Watts/BTU	26/89	34/116	41/140	49/167	56/191	63/215	70/239	78/266	85/290

Output calculation example 50Δt (watts): 10 tubes x 1800 high: 10 x 70 = 700w

													
Model Code	Height		Technical data per metre		Width (mm)								
	(mm)	No of tubes	Weight (kg)	Output 50ΔT Watts/BTU	600	800	1000	1200	1400	1600	1800	2000	2200
KLH-038	383	12	8.2	515/1757	£160	£176	£192	£208	£224	£239	£255	£271	£287
KLH-045	449	14	9.4	611/2085	£175	£194	£212	£230	£249	£267	£286	£304	£322
KLH-052	515	16	11.1	697/2378	£189	£210	£231	£252	£273	£293	£314	£335	£356
KLH-058	581	18	12.4	782/2668	£205	£228	£252	£276	£299	£323	£346	£370	£394
KLH-065	647	20	13.7	867/2958	£220	£246	£272	£298	£324	£351	£377	£403	£429
KLH-071	713	22	15.0	951/3245	£235	£264	£293	£322	£351	£379	£408	£437	£466
KLH-078	779	24	17.4	1034/3528	£250	£282	£313	£344	£376	£407	£439	£470	£501
KLH-085	845	26	18.8	1117/3811	£265	£299	£333	£367	£401	£435	£469	£503	£537
KLH-091	911	28	20.1	1200/4094	£280	£316	£353	£390	£426	£463	£499	£536	£573
KLH-098	977	30	21.4	1282/4374	£294	£333	£372	£411	£450	£490	£529	£568	£607
KLH-104	1043	32	22.8	1364/4654	£310	£352	£394	£436	£478	£519	£561	£603	£645
KLH-111	1109	34	24.1	1445/4930	£324	£369	£413	£457	£502	£546	£591	£635	£679
KLH-118	1175	36	25.4	1526/5207	£339	£386	£433	£480	£527	£574	£621	£668	£715

Output calculation example 50Δt (watts): 20 tubes x 1400 long: 1.4 x 867 = 1214w

Prices for single panel Kleo in Chrome finish. Multiply the prices above for the relevant sizes by 1.75

Prices for Kleo double tubed. Multiply the prices above for the relevant sizes by 1.86


Double panels not available in Chrome finish

Room divider kit for vertical single panel (KLV). Height adjustable 100-150mm: **£68**


Not available in Chrome finish

Details on intermediate sizes are available on request. Available from 7 - 90 tubes

**Please refer to page 100 for vertical and page 102 for horizontal model technical diagrams**

 **Colour finish:** Standard colours from the Zehnder colour chart including matt white finish: white RAL 9016 + 25%. Colour finish and non-stock products delivery: 20 working days.

**All prices exclude VAT**

For full  compliant technical specifications, refer to page 153

To make an approximate conversion from T=50K to T=60K multiply outputs by 1.2



# Zehnder Kleo



Made-to-measure options with single or double tubes are available for both the horizontal or vertical Zehnder Kleo.



Made-to-measure



Jasmin



Standard towel bar:  
see page 129



Valves: see page 130

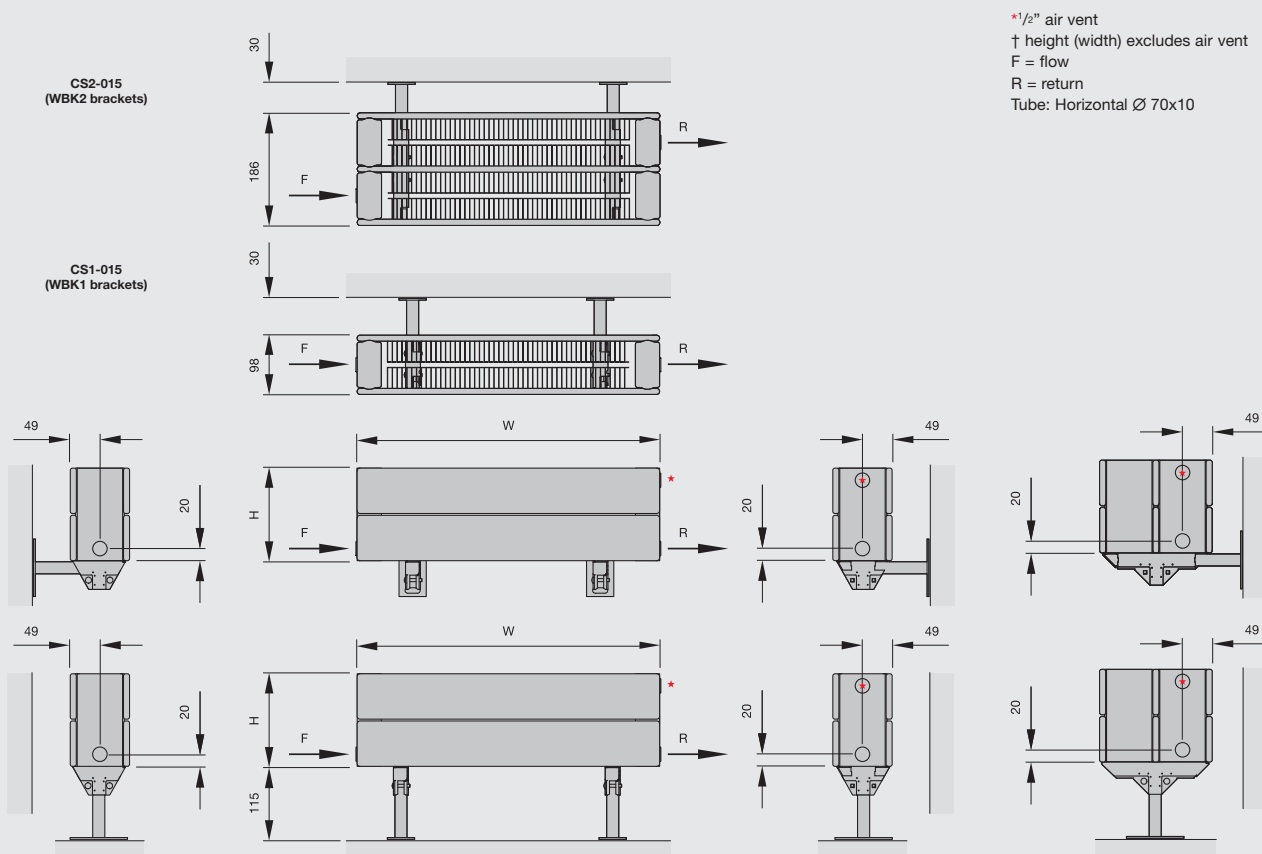


Central Heating Model STOCK listed in black	Height mm	Width mm	Depth	Finish	Output $\Delta T=50K$ Watts/btu All outputs certified to EN 442	Weight kg	RRP (ex VAT)	RRP (inc 20% VAT)
<b>Zehnder Stratos with factory-fitted grille</b>								
<b>CS1G-015-100</b>	153	1000	98	white	755/2578	12.6	£378	£453.60
<b>CS1G-015-120</b>	153	1200	98	white	906/3092	15.2	£412	£494.40
<b>CS1G-015-140</b>	153	1400	98	white	1057/3607	17.6	£448	£537.60
<b>CS1G-015-150</b>	153	1500	98	white	1134/3868	19.0	£469	£562.80
<b>CS1G-015-160</b>	153	1600	98	white	1209/4125	20.2	£487	£584.40
<b>CS1G-015-200</b>	153	2000	98	white	1511/5155	25.2	£563	£675.60
<b>CS2G-015-100</b>	153	1000	186	white	1331/4542	21.9	£607	£728.40
<b>CS2G-015-120</b>	153	1200	186	white	1598/5451	26.4	£684	£820.80
<b>CS2G-015-140</b>	153	1400	186	white	1864/6360	30.7	£763	£915.60
<b>CS2G-015-150</b>	153	1500	186	white	1997/6813	32.9	£805	£966.00
<b>CS2G-015-160</b>	153	1600	186	white	2130/7266	35.1	£849	£1,018.80
<b>CS2G-015-200</b>	153	2000	186	white	2663/9085	43.9	£994	£1,192.80

<b>Zehnder Stratos without grille</b>								
<b>CS1-015-100</b>	153	1000	98	white	791/2699	12.3	£357	£428.40
<b>CS1-015-120</b>	153	1200	98	white	949/3238	14.8	£388	£465.60
<b>CS1-015-140</b>	153	1400	98	white	1107/3777	17.2	£421	£505.20
<b>CS1-015-150</b>	153	1500	98	white	1187/4050	18.5	£438	£525.60
<b>CS1-015-160</b>	153	1600	98	white	1266/4319	19.7	£454	£544.80
<b>CS1-015-200</b>	153	2000	98	white	1582/5398	24.6	£522	£626.40
<b>CS2-015-100</b>	153	1000	186	white	1394/4756	21.3	£568	£681.60
<b>CS2-015-120</b>	153	1200	186	white	1673/5708	25.6	£636	£763.20
<b>CS2-015-140</b>	153	1400	186	white	1952/6660	29.8	£706	£847.20
<b>CS2-015-150</b>	153	1500	186	white	2091/7134	32.0	£740	£888.00
<b>CS2-015-160</b>	153	1600	186	white	2230/7608	34.1	£776	£931.20
<b>CS2-015-200</b>	153	2000	186	white	2788/9513	42.6	£913	£1,095.60

**Colour finish:** Standard colours from the Zehnder colour chart including matt white finish: white RAL 9016 + 25%. Colour finish and non-stock products delivery: 18 working days.

Accessories			
Model		RRP (ex VAT)	RRP (inc 20% VAT)
793102	Anti-lifting system (set of 2) for brackets	£22	£26.40



For full **CE** compliant technical specifications, refer to page 154  
 To make an approximate conversion from T=50K to T=60K multiply outputs by 1.2

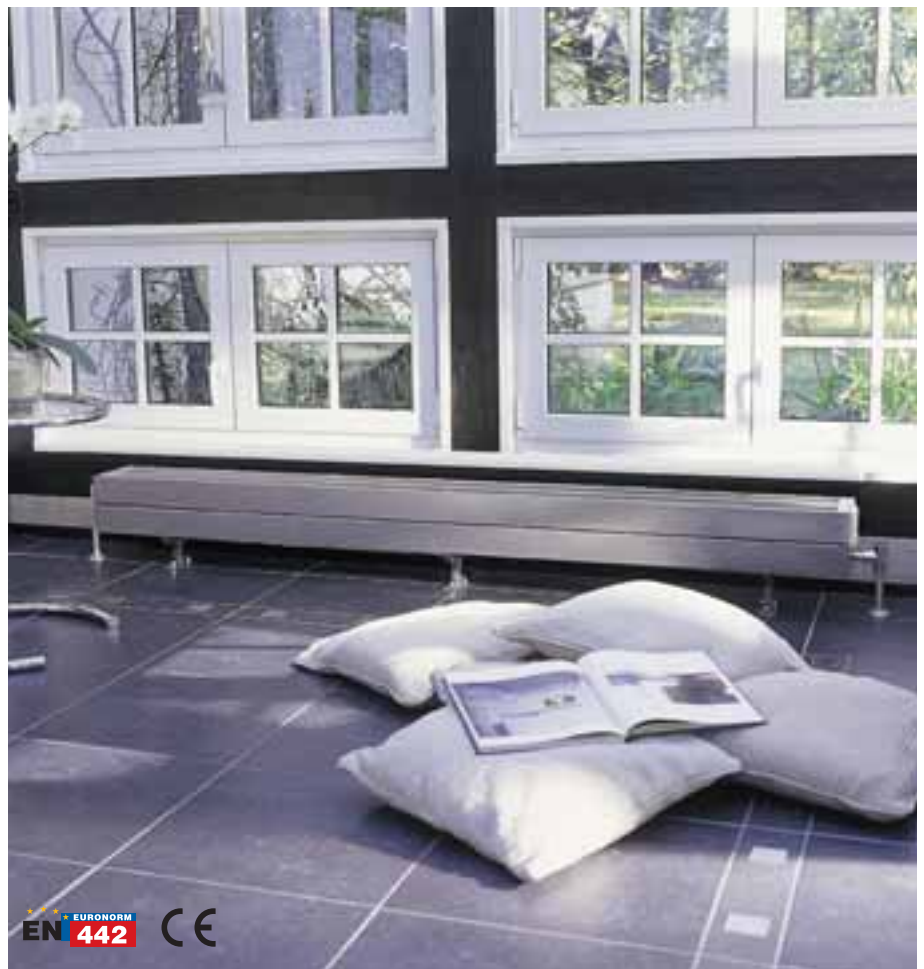
# Zehnder Stratos




The Zehnder Stratos achieves excellent heat outputs even with its compact dimensions, giving an excellent price-performance ratio.



Valves: see page 130



GENERAL PURPOSE RADIATORS

Central Heating STOCK listed in black	Height mm	Width mm	Number of sections	Finnish	Overall Projection mm	Output $\Delta T=50K$ Watts/btu All outputs certified to EN 442	Weight kg	RRP (ex VAT)	RRP (inc 20% VAT)
 Zehnder Lyta-S horizontal									
<b>LYSV-041-048</b>	407	480	6	white	130	560/1911	6.6	<b>£144</b>	<b>£172.80</b>
<b>LYSV-041-064</b>	407	640	8	white	130	747/2549	8.8	<b>£192</b>	<b>£230.40</b>
<b>LYSV-041-080</b>	407	800	10	white	130	934/3187	11.0	<b>£240</b>	<b>£288.00</b>
<b>LYSV-041-096</b>	407	960	12	white	130	1121/3825	13.2	<b>£288</b>	<b>£345.60</b>
<b>LYSV-041-112</b>	407	1120	14	white	130	1308/4463	15.4	<b>£336</b>	<b>£403.20</b>
<b>LYSV-056-048</b>	557	480	6	white	130	746/2545	8.4	<b>£150</b>	<b>£180.00</b>
<b>LYSV-056-064</b>	557	640	8	white	130	995/3395	11.2	<b>£200</b>	<b>£240.00</b>
<b>LYSV-056-080</b>	557	800	10	white	130	1234/4210	14.0	<b>£250</b>	<b>£300.00</b>
<b>LYSV-056-096</b>	557	960	12	white	130	1492/5091	16.8	<b>£300</b>	<b>£360.00</b>
<b>LYSV-056-112</b>	557	1120	14	white	130	1740/5937	19.6	<b>£350</b>	<b>£420.00</b>
<b>LYSV-066-048</b>	657	480	6	white	130	855/2917	9.6	<b>£156</b>	<b>£187.20</b>
<b>LYSV-066-064</b>	657	640	8	white	130	1140/3890	12.8	<b>£208</b>	<b>£249.60</b>
<b>LYSV-066-080</b>	657	800	10	white	130	1425/4862	16.0	<b>£260</b>	<b>£312.00</b>
<b>LYSV-066-096</b>	657	960	12	white	130	1710/5835	19.2	<b>£312</b>	<b>£374.40</b>
<b>LYSV-066-112</b>	657	1120	14	white	130	1995/6807	22.4	<b>£364</b>	<b>£436.80</b>

Powder coated RAL9010 white. Colour finishes are not available.  
Width excludes air vent and bushes (Additional 24mm)

The Lyta-S is a high output, low water content, die-cast aluminium radiator, sectional in manufacture, supplied with a bracket pack comprising wall fixing brackets, plugs, bushes and an air vent.

Where an intermediate sized radiator is required, additional sections can be purchased and added or removed as necessary by the installer. Joining nipples, gaskets and an assembly tool must be purchased separately.

**Lyta-S horizontal**

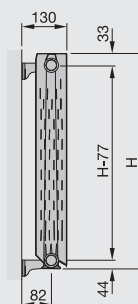
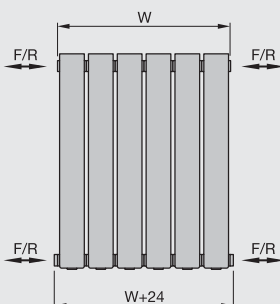
Technical data per section

Model	Height mm	Length mm	Output 50 $\Delta T$ Watts/BTU	Weight Kg	RRP (ex VAT)	RRP (inc 20% VAT)
<b>LYSV-041-008</b>	407	80	93/317	1.1	<b>£24</b>	<b>£28.80</b>
<b>LYSV-056-008</b>	557	80	124/423	1.4	<b>£25</b>	<b>£30.00</b>
<b>LYSV-066-008</b>	657	80	143/488	1.6	<b>£26</b>	<b>£31.20</b>


**Accessories**

Model		RRP (ex VAT)	RRP (inc 20% VAT)
<b>A36/6</b>	Towel rail for 6 section Lyta-S. White RAL9010 (see hhh 106)	<b>£63</b>	<b>£75.60</b>
<b>905110</b>	Aluminium assembly tool 300	<b>£45</b>	<b>£54.00</b>
<b>905120</b>	Aluminium assembly tool 600	<b>£45</b>	<b>£54.00</b>
<b>905130</b>	Aluminium assembly tool 900	<b>£45</b>	<b>£54.00</b>
<b>905140</b>	Aluminium assembly tool 1200	<b>£45</b>	<b>£54.00</b>
<b>A2/1</b>	1 inch steel joining nipple -for use with Lyta-S	<b>£2.30</b>	<b>£2.76</b>
<b>A10/1</b>	Joining nipple gasket for joining the Lyta-S. White RAL 9010	<b>£0.50</b>	<b>£0.60</b>
<b>A11/1</b>	Gasket for end plugs for Lyta-S - Green	<b>£1.10</b>	<b>£1.32</b>
<b>A81</b>	Installation bush and bracket pack for Lyta-S	<b>£21</b>	<b>£25.20</b>
<b>A80</b>	Service assembly kit for the the Lyta-S radiator	<b>£20</b>	<b>£24.00</b>

\*1/2" air vent  
Width excludes air vent  
F = flow  
R = return  
H = height  
W = width  
All dimensions in mm



Connections: 4 x 1/2", suitable for bottom opposite ends (BOE), top bottom opposite ends (TBOE) or top bottom same end (TBSE).

For full  compliant technical specifications, refer to page 154  
To make an approximate conversion from T=50K to T=60K multiply outputs by 1.2

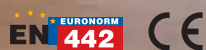
# Zehnder Lyta-S




Aluminium radiators give a fast response and comfortable heat with high thermal efficiency. Energy saving and easy to handle, resistant to corrosion and with the ability to add or remove sections according to requirements, the Lyta-S is a modern radiator in every sense. 10 year warranty



Valves: see page 130



GENERAL PURPOSE RADIATORS

Central Heating STOCK listed in black	Height mm	Width mm	Number of sections	Finnish	Overall Projection mm	Output $\Delta T=50K$ Watts/btu All outputs certified to EN 442	Weight kg	RRP (ex VAT)	RRP (inc 20% VAT)
 Zehnder Lyta-T vertical									
<b>LYTV-097-032</b>	966	320	4	white	127	728/2484	7.8	<b>£204</b>	<b>£244.80</b>
<b>LYTV-097-048</b>	966	480	6	white	127	1092/3726	11.8	<b>£306</b>	<b>£367.20</b>
<b>LYTV-147-032</b>	1466	320	4	white	127	1000/3412	11.2	<b>£288</b>	<b>£345.60</b>
<b>LYTV-147-048</b>	1466	480	6	white	127	1500/5118	16.8	<b>£432</b>	<b>£518.40</b>
<b>LYTV-187-024</b>	1866	240	3	white	127	900/3071	10.2	<b>£255</b>	<b>£306.00</b>
<b>LYTV-187-032</b>	1866	320	4	white	127	1200/4094	13.6	<b>£340</b>	<b>£408.00</b>
<b>LYTV-187-040</b>	1866	400	5	white	127	1500/5118	17.0	<b>£425</b>	<b>£510.00</b>
<b>LYTV-187-048</b>	1866	480	6	white	127	1800/6142	20.4	<b>£510</b>	<b>£612.00</b>

Powder coated RAL9010 white finish. Colour finishes are not available.  
Width excludes air vent and bushes (Additional 24mm).

The Lyta-T is a high output, low water content, extruded aluminium radiator, sectional in manufacture, supplied with a bracket pack comprised of wall fixing brackets, plugs, bushes and an air vent.  
Where an intermediate sized radiator is required, additional sections can be purchased and added or removed as necessary by the installer. Joining nipples, gaskets and an assembly tool must be purchased separately.

**Lyta-T vertical**

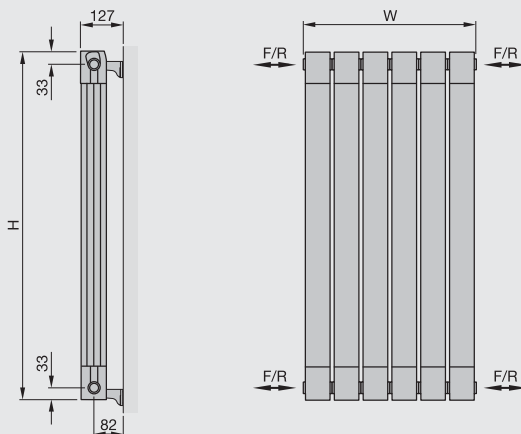
Technical data per section

Model	Height mm	Length mm	Output 50 $\Delta T$ Watts/BTU	Weight Kg	RRP (ex VAT)	RRP (inc 20% VAT)
<b>LYTV-097-008</b>	966	80	182/621	2.0	<b>£51</b>	<b>£61.20</b>
<b>LYTV-147-008</b>	1466	80	250/853	2.8	<b>£72</b>	<b>£86.40</b>
<b>LYTV-187-008</b>	1866	80	300/1024	3.4	<b>£85</b>	<b>£102.00</b>


**Accessories**

Model		RRP (ex VAT)	RRP (inc 20% VAT)
<b>905110</b>	Aluminium assembly tool 300	<b>£45</b>	<b>£54.00</b>
<b>905120</b>	Aluminium assembly tool 600	<b>£45</b>	<b>£54.00</b>
<b>905130</b>	Aluminium assembly tool 900	<b>£45</b>	<b>£54.00</b>
<b>905140</b>	Aluminium assembly tool 1200	<b>£45</b>	<b>£54.00</b>
<b>A32/1</b>	Gasket for nipples, plugs and adaptors for Lyta-T - Black	<b>£1.10</b>	<b>£1.32</b>
<b>A33/1</b>	1 inch steel joining nipple for Lyta-T	<b>£2.50</b>	<b>£3.00</b>
<b>A82</b>	Installation bush and bracket pack for Lyta-T	<b>£21</b>	<b>£25.20</b>
<b>A36/4</b>	Towel rail for 4 section Lyta-T. White (RAL9010)	<b>£50</b>	<b>£60.00</b>
<b>A36/5</b>	Towel rail for 5 section Lyta-T. White (RAL9010)	<b>£58</b>	<b>£69.60</b>
<b>A36/6</b>	Towel rail for 6 section Lyta-S and Lyta-T. White (RAL9010)	<b>£63</b>	<b>£75.60</b>

\*1/2" air vent  
Width excludes air vent  
F = flow  
R = return  
H = height  
W = width  
All dimensions in mm



Connections: 4 x 1/2", suitable for bottom opposite ends (BOE), top bottom opposite ends (TBOE) or top bottom same end (TBSE)  
Packaging includes one rubber plug/baffle (A 30/1) to be fitted in the flow position where radiators are to be installed BOE.  
Valves are not included.

For full  compliant technical specifications, refer to page 154  
To make an approximate conversion from T=50K to T=60K multiply outputs by 1.2

# Zehnder Lyta-T



The space-saving, fast response, economical and efficient vertical Lyta-T aluminium radiator is energy saving and easy to handle. Resistant to corrosion, sections can be added or removed to suit installation requirements. The Lyta-T has the practical option of a towel bar. 10 year warranty.



Lyta-T towel bar



Valves: see page 130



**Zehnder Excelsior vertical single fin with 30mm spacing white**

Model Code	Height	Technical data per metre		Width (mm)								
	(mm)	Weight (kg)	Output 50ΔT Watts/BTU	460	580	700	820	940	1060	1180	1300	1420
E1040/30	400	0.76	27/92	£310	£344	£377	£411	£444	£478	£512	£545	£579
E1050/30	500	0.93	32/109	£316	£351	£386	£422	£457	£492	£527	£562	£598
E1060/30	600	1.10	37/126	£324	£361	£398	£435	£472	£510	£547	£584	£621
Number of tubes				15	19	23	27	31	35	39	43	47

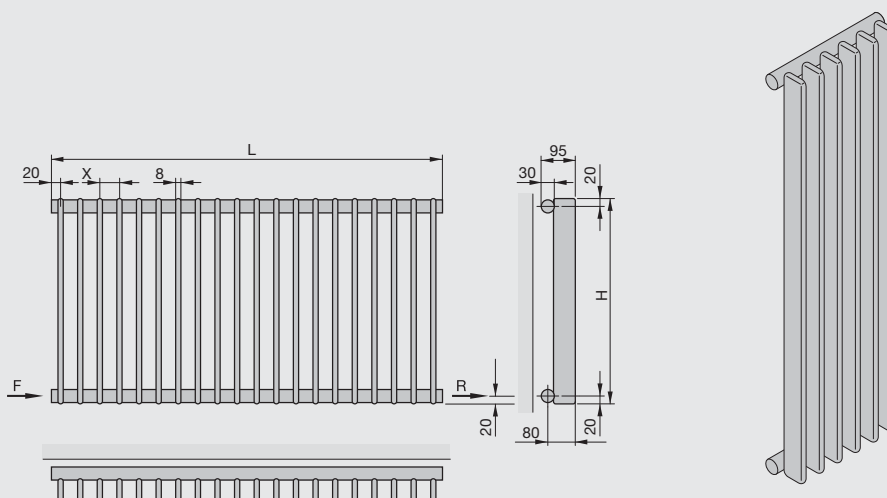
**Zehnder Excelsior vertical single fin with 40mm spacing white**

Model Code	Height	Technical data per metre		Width (mm)								
	(mm)	Weight (kg)	Output 50ΔT Watts/BTU	480	600	720	840	960	1080	1200	1320	1440
E1040/40	400	0.78	29/99	£292	£319	£346	£373	£400	£427	£454	£481	£508
E1050/40	500	0.95	34/116	£297	£325	£353	£381	£410	£438	£466	£494	£522
E1060/40	600	1.12	40/136	£303	£333	£362	£392	£422	£451	£481	£511	£540
Number of tubes				12	15	18	21	24	27	30	33	36

Under-side connections available on request

**Colour finish:** Standard colours from the Zehnder colour chart including matt white finish: white RAL 9016 + 25%. Colour finish and non-stock products delivery: 15 working days.

\*1/2" air vent  
 Width excludes air vent  
 F = flow  
 R = return  
 H = height  
 W = width  
 X = section spacing  
 All dimensions in mm  
 Manufacturing tolerance of +/-0.6mm per section



30mm or 40mm spacings

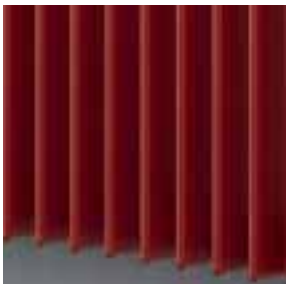
For full CE compliant technical specifications, refer to page 155  
 To make an approximate conversion from T=50K to T=60K multiply outputs by 1.2



# Zehnder Excelsior



The contemporary Zehnder Excelsior has narrow, horizontal, flattened oval steel tubes which are lightweight and give a high heat output. Low water content means that the Excelsior has a fast reaction time to heat up your home quickly. The Excelsior range is made to order to fit your requirements.



Flame Red

Zehnder Excelsior vertical single fin with 30mm spacing white												
Model Code	Height	Technical data per metre		Width (mm)								
	(mm)	Weight (kg)	Output 50ΔT Watts/BTU	250	280	310	340	370	400	430	460	490
E1120/30	1200	2.14	67/229	£290	£303	£316	£329	£342	£356	£369	£382	£395
E1150/30	1500	2.67	83/284	£310	£326	£342	£358	£374	£389	£405	£421	£437
E1180/30	1800	3.19	100/341	£350	£369	£388	£407	£426	£445	£464	£484	£503
E1200/30	2000	3.53	111/379	£371	£393	£415	£437	£459	£480	£502	£524	£546
Number of tubes				8	9	10	11	12	13	14	15	16

Zehnder Excelsior vertical single fin with 40mm spacing white												
Model Code	Height	Technical data per metre		Width (mm)								
	(mm)	Weight (kg)	Output 50ΔT Watts/BTU	240	280	320	360	400	440	480	520	560
E1120/40	1200	2.16	72/246	£267	£281	£294	£308	£322	£336	£350	£363	£377
E1150/40	1500	2.68	90/308	£282	£299	£315	£332	£348	£364	£381	£397	£414
E1180/40	1800	3.21	109/372	£315	£335	£355	£374	£394	£414	£433	£453	£473
E1200/40	2000	3.55	122/416	£331	£354	£376	£399	£421	£443	£466	£488	£511
Number of tubes				6	7	8	9	10	11	12	13	14

Under-side connections available on request

**Colour finish:** Standard colours from the Zehnder colour chart including matt white finish: white RAL 9016 + 25%. Colour finish and non-stock products delivery: 15 working days.

\*1/2" air vent  
 Width excludes air vent  
 F = flow  
 R = return  
 H = height  
 W = width  
 X = section spacing  
 All dimensions in mm  
 Manufacturing tolerance of +/-0.6mm per section



30mm or 40mm spacings

For full CE compliant technical specifications, refer to page 155  
 To make an approximate conversion from T=50K to T=60K multiply outputs by 1.2

# Zehnder Excelsior



The contemporary Zehnder Excelsior has narrow, vertical, flattened oval steel tubes which are lightweight and give a high heat output. Low water content means that the Excelsior has a fast reaction time to heat up your home quickly. The Excelsior range is made to order to fit your requirements.



Anthracite



Flame Red



## Electric radiators. Heat at its most convenient.

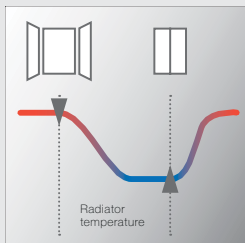
Electrically heated radiators offer the ultimate in a comfortable living environment. With the multiple temperature settings of the control units, every room can be customized to requirements, maximizing efficiency, economy and comfort.



Electric Heating Model <b>STOCK</b> listed in bold	Height mm	Width mm	Finish	No. of sections	With factory fitted controls, Class II IPX4 Electric Rating (Watts)	Weight kg	RRP (ex VAT)	RRP (inc 20% VAT)
<b>⚡</b> Zehnder Fare Tech Electric								
<b>TAD-057-041/F</b>	575	407	white*	4	500	9	£310	£372.00
<b>TAD-057-048/F</b>	575	496	white*	5	750	11	£327	£392.40
<b>TAD-057-064/F</b>	575	644	white*	7	1000	14	£353	£423.60
<b>TAD-057-080/F</b>	575	803	white*	9	1250	17	£397	£476.40
<b>TAD-057-088/F</b>	575	882	white*	10	1500	18	£431	£517.20
<b>TAD-057-128/F</b>	575	1280	white*	15	2000	26	£521	£625.20

Projection from wall to front of radiator: 145mm max. \*white (RAL 9010)

**🎨 Colour finish:** Standard colours from the Zehnder colour chart including matt white finish: white RAL 9010 + 25%. Colour finish and non-stock products delivery: 16 working days.



### Open window detection

The integral control unit recognises if a window has been opened for an extended period and switches the radiator off. Once the window is closed, the radiator returns to normal operation.

- External temperature sensor recognises temperature changes.
- Integral thermostat reacts to sensor information.
- Radiator automatically switches off if a window is open for an extended period.
- Intelligent heating that saves energy and costs.



### H bracket

Practical installation: The H bracket with integral spirit level makes it easy to mount the radiator level on the wall.

- Integral spirit level guarantees precise, level installation
- Designed for practical installation
- Perfect appearance: Radiator mounts close to the wall, H bracket is painted the same colour as the radiator



### Smart handling

The control panel is designed as an integral part of the radiator: it is simple to operate using plus and minus keys and temperature and energy consumption are easy to read.

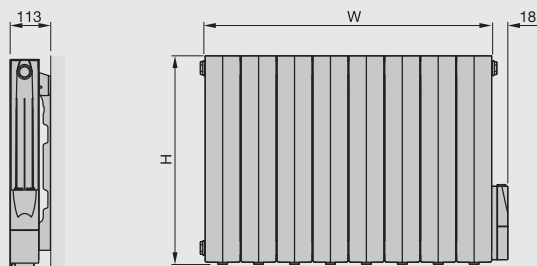
- Three predefined heating programs
- Control panel can be locked for security
- Operation as needed with energy consumption indicator

Electric Heating Model <b>STOCK</b> listed in bold	Height mm	Width mm	Finish	No. of sections	With factory fitted controls, Class II IPX4 Electric Rating (Watts)	Weight kg	RRP (ex VAT)	RRP (inc 20% VAT)
<b>⚡</b> Zehnder Alura Electric								
<b>ALE-050-036/F</b>	575	356	white*	3	500	7	£253	£303.60
<b>ALE-075-046/F</b>	575	456	white*	4	750	9	£277	£332.40
<b>ALE-100-056/F</b>	575	556	white*	5	1000	11	£312	£374.40
<b>ALE-125-076/F</b>	575	756	white*	7	1250	15	£365	£438.00
<b>ALE-150-086/F</b>	575	856	white*	8	1500	17	£405	£486.00
<b>ALE-200-116/F</b>	575	1156	white*	11	2000	23	£497	£596.40

\*white (RAL 9010)

Temperature controller: Backlit LCD digital display screen gives complete control. Temperature can be adjusted in 0.5°C increments. 3 pre-set programmes and 5 mode settings. Open window detection system and parental lock.

H = height  
W = width  
All dimensions in mm



# Zehnder Fare Tech



The Zehnder Fare Tech electric radiator combines beauty and brains. Manufactured from aluminium, its unique, elegantly curved shape allows comfortable radiant heat to disperse optimally throughout the room, whilst the unit's smart integrated control panel allows the room temperature to be easily set and energy consumption controlled.



CE

Volcanic

# Zehnder Alura



This fast response electric aluminium radiator has a high output in relation to its size. Its weight and size makes this radiator easy to install, and the straightforward digital controls make it easy and economical to use. H shaped mounting bracket with removable spirit level and locking system included.



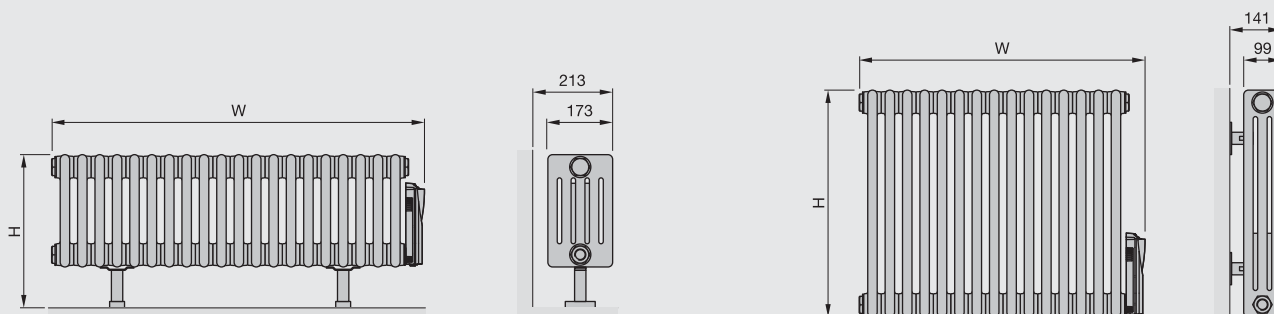
CE

Electric Heating Model <b>STOCK</b> listed in black	Height mm	Width mm	number of sections	Finish	Electric Immersion Rating (Watts) With factory fitted HCL Electric only Models Class II, IPX4 CE	Weight kg	RRP (ex VAT)	RRP (inc 20% VAT)
<b>⚡ Zehnder Charleston Electric</b>								
NZ-060-053	600	530	10	white	500	27.0	£396	£475.20
NZ-060-062	600	622	12	white	750	30.0	£470	£564.00
NZ-060-076	600	760	15	white	1000	41.0	£513	£615.60
NZ-060-089	600	898	18	white	1250	47.0	£608	£729.60
NZ-060-103	600	1036	21	white	1500	58.0	£659	£790.80
NZ-060-131	600	1312	27	white	2000	70.0	£803	£963.60
<b>⚡ Zehnder Charleston Plinth Electric</b>								
NZ-030-100	400	995	20	white	1000	42.4	£690	£828.00

**🎨 Colour finish:** Standard colours from the Zehnder colour chart including matt white finish: white RAL 9016 + 25%. Colour finish and non-stock products delivery: 16 working days.

Accessories			
Model		RRP (ex VAT)	RRP (inc 20% VAT)
601020	Lambswool cleaning brush	£50	£60.00
Additional Towel Rails			
966018	Charleston towel bar 368mm	£128	£153.60
966028	Charleston towel bar 918mm	£142	£170.40

H = height  
W = width  
All dimensions in mm

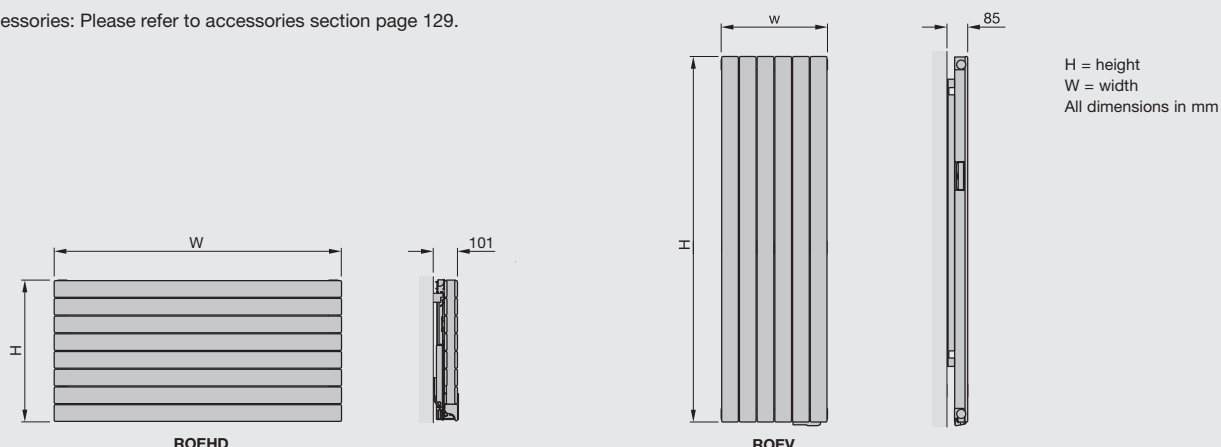


Electric Heating Model <b>STOCK</b> listed in black	Height mm	Width mm	Finish	With factory fitted Premium controls Class II, IPX4, IK09, NF, CE Electric Rating (Watts)	Weight kg	RRP (ex VAT)	RRP (inc 20% VAT)
<b>⚡ Zehnder Roda Electric Vertical</b>							
ROEV-150-040/LF	1517	375	white	750	24	£779	£934.80
ROEV-180-045/LF	1817	449	white	1000	32	£845	£1,014.00
ROEV-180-060/LF	1817	597	white	1500	40	£928	£1,113.60
<b>⚡ Zehnder Roda Electric Horizontal</b>							
ROEHD-040-080/LF	444	800	white	750	21.5	£647	£776.40
ROEHD-060-080/LF	592	800	white	1000	28.7	£693	£831.60
ROEHD-040-110/LF	444	1100	white	1000	28.3	£682	£818.40
ROEHD-060-110/LF	592	1100	white	1250	38.5	£740	£888.00
ROEHD-040-150/LF	444	1500	white	1500	37.7	£735	£882.00
ROEHD-060-130/LF	592	1300	white	1500	44.8	£775	£930.00
ROEHD-060-150/LF	592	1500	white	2000	50.4	£808	£969.60

Overall projection: 85mm Not available as dual energy

**🎨 Colour finish:** Standard colours from the Zehnder colour chart including matt white finish: white RAL 9016 + 25%. Colour finish and non-stock products delivery: 17 working days.

Accessories: Please refer to accessories section page 129.





## Zehnder Charleston & Charleston Plinth



The Zehnder Charleston is an electric, oil-filled multi-column radiator available in 6 sizes ideal for installation in loft conversions. The complementary Zehnder Charleston Plinth low level model is perfectly suited to conservatories and in front of low-level windows.

CE



## Zehnder Roda



Electric Zehnder Roda radiators are efficient decorative radiators, available as horizontal or vertical, perfect for all living areas.



Oyster White



## Extractor Fans Silence, style and simplicity.

Condensation and mould are not new phenomena and the need to safeguard dwellings against them has not diminished. In fact, with improved heating systems, insulation and double glazing, homes are becoming more and more sealed, however, homes need air to 'breathe' and that air needs to be of good quality. Zehnder offers a choice of wall and ceiling extraction fans to blend with indoor decors which also incorporate uniquely quiet and low consumption options for the ultimate solution in single point ventilation.



# 1

## Energy efficiency

The ZLE100 low energy Adaptive fan only consumes between 1.6 and 8.9 watts per hour depending on speed setting, and costing under 50p a year to operate based on 1½ hours daily use.



# 2

## Health

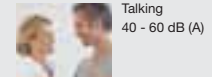
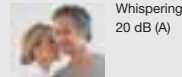
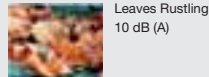
Airborne particles are always floating around our homes, including those found in man-made furnishings and cleaning products plus moisture is continually created through bathing and washing. Zehnder extract fans have been designed to eliminate condensation and improve the general air quality within the home by extracting stale air from the wet rooms where many of the major pollutants can build up. Using extraction fans helps to provide a comfortable environment within the home by improving the indoor air quality.



# 3

## Silence

A major concern for home owners is the level of noise produced from standard ventilation, particularly in the bathroom where relaxation and a sanctuary atmosphere is so important. Taking account of this, Zehnder offers a range of 'Silent' fans operating at typically 70% less noise than standard bathroom fans; the ZSR100 fan is 26 dB (A).



# 4

## Style

Inspired by modern trends and a popular desire for matching accessories, Zehnder decorative fans use materials, finishes and shapes that blend stylishly with surrounding decor. The range of fans has been created to complement current bathroom and kitchen design, comprising models that incorporate lighting, high quality materials, discreet low profile designs and decorative front covers with a choice of easy to change, central inserts, transforming ventilation into a design feature.



# 5

## Simplicity

Zehnder extraction fans are simple to fit, control and maintain, providing the perfect solution for refurbishment projects where central systems can be difficult to install. Zehnder offers a comprehensive range of accessories to suit both wall and ceiling applications.

**Operating information:**

**100mm fan suitable for walls and ducted ceilings with a supplied choice of 3 fascia options**

**Zehnder Silent Basic wall fan:**


- Single speed
- Operation by light switch or remote

**Zehnder Silent Timer fan:**

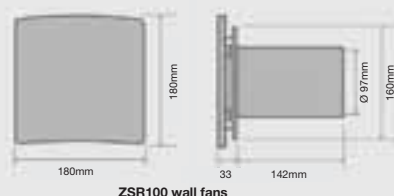
- Single speed, 230v
- Operation by light switch or remote switch
- Adjustable over-run timer (2-30mins) factory set at 15 minutes. When wired into room light or remote switch the fan will operate whilst the light is on and, when switched off, will run on over-run timer for the pre-set over-run period.

**Zehnder Silent Humidistat fan:**

- Single speed, 230v
- Automatic operation by the integrated humidistat sensor with optional manual override via remote switch
- Over-run timer cuts in once desired humidity has been reached to prevent fan 'hunting' on and off. Adjustable over-run timer (2-30mins)

Model STOCK listed in black	Features	RRP (ex VAT)	RRP (inc 20% VAT)
	<b>Basic Silent fan ZSR100B10A</b>	100mm basic silent fan. Remote operation	£60 / £72.00
	<b>Timer Silent fan ZSR100TR11A</b>	100mm timer silent fan. Remote operation	£72 / £86.40
	<b>Humidistat Silent fan ZSR100HTR12A</b>	100mm humidistat silent fan. Remote operation	£122 / £146.40

Product	Application	Airflow m³/h in free air	Airflow l/s in free air (BS848 Pt 1)	Sound pressure level @ 3m dB(A)	Energy Consumption (W)	IP Rating	Operation
<b>100mm Basic Silent wall &amp; ceiling fan</b>	W.C. Bathroom	95	26	26.7	13	IPX4	single speed
<b>100mm Timer Silent wall &amp; ceiling fan</b>	W.C. Bathroom	95	26	26.7	16	IPX4	single speed
<b>100mm Humidistat Silent wall &amp; ceiling fan</b>	Bathroom	95	26	26.7	16	IPX4	single speed



**Operating information:**

**100mm fan suitable for through wall and ducted ceiling/wall installation**




The speed of the fan is set by the installer according to the size and use of the room, thus avoiding over or under ventilation.

**Zehnder Adaptive fan with "smart" timer technology and pull cord option.**

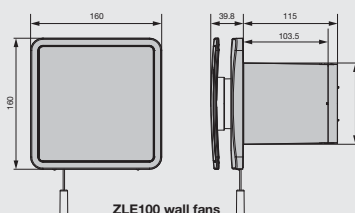
The length of time of the fan over-run is based on occupancy duration, up to a maximum run-time of 15 minutes, reducing heat loss and energy usage.

**Zehnder Adaptive fan with "smart" humidistat and timer technology and pull cord option.**




The fan knows the normal humidity level and only activates when spikes occur, providing the right amount of ventilation when required, unlike fans with a generic point that respond to high ambient humidity on a summer's day and particularly in the middle of the night.



Model STOCK listed in black	Features	RRP (ex VAT)	RRP (inc 20% VAT)
	<b>Adaptive fan ZLE100TA</b>	100mm low energy Adaptive fan with "smart" timer technology and pull cord.	£79 / £94.80
	<b>Adaptive fan ZLE100HTA</b>	100mm low energy Adaptive fan with "smart" humidistat and timer technology and pull cord.	£126 / £151.20

Product	Airflow m³/h in free air		Airflow l/s in free air (BS848 Pt 1)		Sound pressure level @ 3m dB(A)		Energy Consumption (W)		IP Rating	Operation
	Min	Max	Min	Max	Min	Max	Min	Max		
<b>100mm Adaptive wall &amp; ceiling fan</b>	49	111.6	13.6	31	25	45	1.6	8.9	IPX4	6 speed



Accessories	RRP (ex VAT)	RRP (inc 20% VAT)
-------------	--------------	-------------------

Wall fan accessories			
	<b>ZED1A</b>	Plastic wall inner with integral screw-fixing channels	£7 / £8.40
	<b>ZEG1WA</b>	Fixed blade louvered external wall vent in white	£4 / £4.80
	<b>ZEG1BA</b>	Fixed blade louvered external wall vent in brown	£4 / £4.80
	<b>ZFF100W</b> <b>ZFF100B</b>	Fast fix wall duct system with external grill available in white (W) or brown (B)	£11 / £13.20

Ceiling fan accessories			
	<b>ZGFP4.3A</b>	Flexiduct 3m x Ø100mm (required for ceiling fitting)	£9 / £10.80
	<b>ZGG42WA</b>	100mm External grille with spigot in white	£5 / £6.00
	<b>ZGG42BA</b>	100mm External grille with spigot in brown	£5 / £6.00

## Zehnder Silent Wall & Ceiling Fans 100mm

The range of Zehnder Silent fans offer “whisper-quiet” operation – typically a minimum of 70% less noise than standard fans. This range has been developed in response to customers who want high performance ventilation without nuisance noise. 3 year warranty.



## Zehnder Adaptive Wall & Ceiling Fans 100mm

The economical low-energy Zehnder Adaptive fan offers the latest in intermittent technology - adaptive extraction - with 6 pre-set speeds to choose from for different installation applications, generating the required extraction rate from the room. 3 year warranty.





**Operating information:**

**Zehnder Silent Timer fan:**

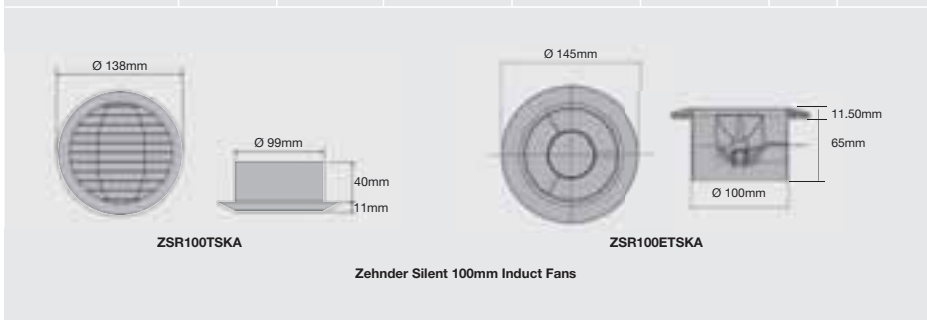
- Single speed, 230v
- Operation by light switch or remote switch

**Zehnder Silent Timer ceiling fan with LED light:**

- Single speed, 230v
- Operation by light switch or remote switch

Model <b>STOCK</b> listed in black	Features	RRP (ex VAT)	RRP (inc 20% VAT)	
<b>100mm fan suitable for ducted ceilings</b>				
	<b>ZSR100TSKA</b>	<b>Zehnder Silent Timer shower kit</b> Kit includes 100mm induct fan with adjustable timer, 90° bend, 3 metres of Flexiduct, 4 fixing clips, outlet grille and fixing screws.	<b>£131</b>	<b>£157.20</b>
	<b>ZSR100ETSKA</b>	<b>Zehnder Silent Timer shower kit &amp; light</b> Kit comprising 100mm induct fan with adjustable timer, internal grille with SELV (Safety Extra Low Voltage) 12V LED light unit LV light transformer. 90° bend, 3 metres of Flexiduct, 4 fixing clips, outlet grille and fixing screws, white & chrome bezels.	<b>£144</b>	<b>£172.80</b>


Product	Application	Airflow m <sup>3</sup> h in free air	Airflow l/s in free air (BS848 Pt 1)	Sound pressure level @ 3m dB(A)	Energy Consumption (W)	IP Rating	Operation
<b>100mm Silent Timer shower kit</b>	Bathroom	110	31	20	16	IPX4	single speed
<b>100mm Silent Timer shower kit &amp; light</b>	Bathroom	110	31	20	fan 16W, 12V lamp rated at 5W	IPX4	single speed



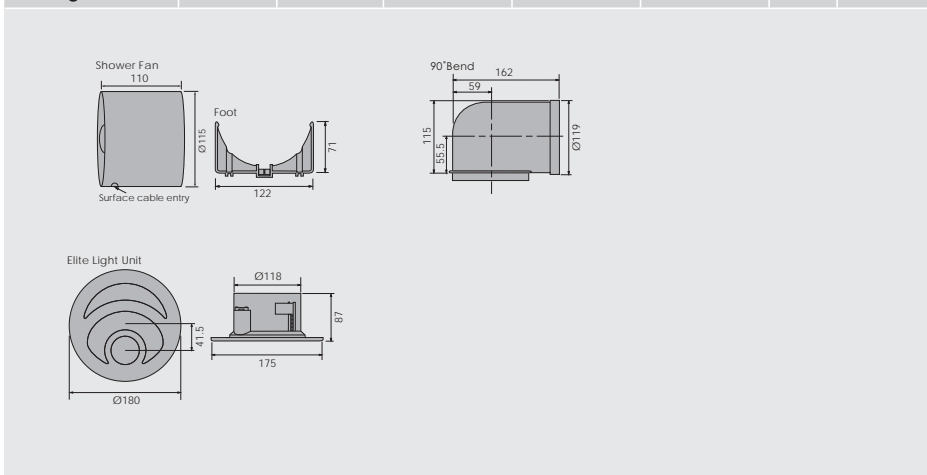
**Operating information:**

**Zehnder Halo Timer ceiling fan with LED light:**

- Single speed, 230v
- Operation by light switch or remote switch
- Adjustable over-run timer (2-30mins) factory set at 15 minutes. When wired into room light or remote switch the fan will operate whilst the light is on and, when switched off, will run on over-run timer for the pre-set over-run period.
- Suitable for internal bathrooms, WCs or for installation above showers

Model <b>STOCK</b> listed in black	Features	RRP (ex VAT)	RRP (inc 20% VAT)	
<b>125mm ceiling fan suitable for ducted ceilings</b>				
	<b>ZHC115ETSKA</b>	<b>Zehnder Halo timer ceiling fan shower kit with light</b> Kit comprising 125mm induct fan with adjustable timer, internal grille with SELV (Safety Extra Low Voltage) 12V LED light unit LV light transformer. 90° bend, 3 metres of Flexiduct, 4 fixing clips, outlet grille and fixing screws, white & chrome bezels.	<b>£105</b>	<b>£126.00</b>

Product	Application	Airflow m <sup>3</sup> h in free air	Airflow l/s in free air (BS848 Pt 1)	Sound pressure level @ 3m dB(A)	Energy Consumption (W)	IP Rating	Operation
<b>125mm Silent Timer ceiling fan with light</b>	Bathroom	200	56	31	fan 20W, 12V lamp rated at 5W	IPX4	single speed



## Zehnder Silent Shower Fan Kits 100mm

Silent fans are 70% quieter than standard axial fans when operating. Supplied as shower kits with or without a LED light and with a 3 year warranty.



## Zehnder Halo Designer Shower Fan & LED Light Kit 125mm

Today's luxurious showers and bathrooms call for high performance and high design. The Zehnder Halo is a ceiling extractor fan supplied as a kit with an integrated LED light and a 3 year warranty.





Accessories, valves, dual energy  
and electric products.  
Maximise the potential.


Well matched valves and accessories enhance the aesthetics of radiators and towel rails, while a dual energy installation in your bathroom guarantees luxury and comfort throughout the year.




Zehnder accessories

Model	Overall length mm	Centres mm	Depth mm	Suitable for	Min. n° vertical tubes required	Fixing	RRP ex VAT	RRP inc VAT
-------	-------------------	------------	----------	--------------	---------------------------------	--------	------------	-------------


Zehnder Taurus towel bar - Chrome

	471008	399	297	67	Kleo, Klaro, Sfera, Yucca	Kleo: 11	Non magnetic	£87	£104.40
	471018	432	330			Kleo: 12		£99	£118.80
	471028	531	429			Kleo: 15		£111	£133.20
	471108	399	297		Roda Spa, Roda, Ax Spa	Roda: 6	Magnetic	£152	£182.40
	471118	432	330			Roda: 7		£163	£195.60
	471128	531	429			Roda: 8		£174	£208.80


Standard towel bar - Chrome

	461138	300	264	67	Kleo	Kleo: 10	Non magnetic	£55	£66.00
	462138	440	396			Kleo: 14		£57	£68.40
	463138	540	495			Kleo: 17		£59	£70.80
	461168	340	296		Roda (excl ROHL) & Roda Spa ranges	Roda: 6	Non magnetic	£55	£66.00
	462168	410	370			Roda: 7		£57	£68.40
	463168	480	444			Roda: 8		£59	£70.80


Zehnder Taurus double hook - Chrome

	470318	100	n/a	67	Kleo, Klaro, Sfera, Yucca	n/a	Non magnetic	£51	£61.20
	470328				Roda Spa, Roda, Ax Spa		Magnetic	£55	£66.00



Towel Ring

	455138	200	n/a	65	Sfera, Kleo	n/a	Non magnetic	£112	£134.40
	455118				Ax, Ax Spa				
	455168				Roda Spa, Roda (excl ROHL)				


Bay towel bar

	Brushed st steel TBAR-9517	290	n/a	60	Bay	5	Non magnetic	£72	£86.40
	Polished st steel TBAR-9516							£99	£118.80


Charleston towel bar

	966018	368	n/a	45	Charleston Bar can be cut to length	9 max	Non magnetic	£128	£153.60
	966028	918				18 max		£142	£170.40
	CTR-28 <b>NEW</b>	Spans 6 elements		79	Charleston Chrome towel rail. Contains full length rail and two brackets.	n/a	Non magnetic	£108	£129.60
	CTR-37 <b>NEW</b>	Spans 8 elements						£114	£136.80
	CTR-46 <b>NEW</b>	Spans 10 elements						£118	£141.60
	CTR-55 <b>NEW</b>	Spans 12 elements						£121	£145.20
	CTR-64 <b>NEW</b>	Spans 14 elements						£129	£154.80

Metropolitan towel bar (not suitable for MEV models)

	468038	400	n/a	40	Metropolitan	n/a	Non magnetic	£91	£109.20
	468048	500						£93	£111.60
	468058	600						£96	£115.20

Metropolitan hook - chrome x 2 (not suitable for MEV models)

	480438	35	n/a	35	Metropolitan	n/a	Non magnetic	£41	£49.20
---	--------	----	-----	----	--------------	-----	--------------	-----	--------


Lambswool brush

	601020	n/a	n/a	n/a	Charleston Range	n/a	n/a	£50	£60.00
---	--------	-----	-----	-----	------------------	-----	-----	-----	--------

Pipe and base plate accessory kit 2 x 300mm Ø15mm pipe plus 2 cover plates, suitable for most models except those with 50mm pipe centres

	PIPEKIT-9016	white						£23	£27.60
	PIPEKIT-CR	chrome							
	PIPEKIT-BS	brushed steel							
	PIPEKIT-AG	antique gold							

Optional Simple immersion heater cover

	SHECZ-CR	chrome finish						£46	£55.20
---	----------	---------------	--	--	--	--	--	-----	--------

Pipework from the wall	Manual Valve sets									Thermostatic Valve sets		
	VAL-SET-1-CR £39	VAL-SET-2-CR £55	VAL-SET-5-BS £199	VAL-SET-5-CR £191	VAL-SET-6-BS £204	VAL-SET-6-CR £196	VAL-SET-8-CR £100	NEW VAL-SET-27-VO £98	NEW VAL-SET-28-VO £121	VAL-SET-10-CR £171	VAL-SET-11-CR £171	VAL-SET-9-CR £125
Ax	✓	✓	x	x	x	x	✓	✓	✓	✓	✓	✓
Ax Spa	✓	✓	x	✓	x	✓	✓	✓	✓	✓	✓	✓
Balmoral	✓	✓	x	x	x	x	✓	✓	✓	✓	✓	✓
Bay	✓	✓	✓	✓	✓	✓	x	✓	✓	✓	✓	✓
Buckingham	✓	✓	x	x	x	x	✓	✓	✓	✓	✓	✓
Charleston	✓	✓	x	x	x	x	✓	✓	✓	✓	✓	✓
Cove	✓	✓	✓	✓	✓	✓	x	✓	✓	✓	✓	✓
Keel range	✓	✓	✓	✓	✓	✓	x	✓	✓	✓	✓	✓
Kensington	✓	✓	x	x	x	x	✓	✓	✓	✓	✓	✓
Klaro	✓	✓	x	x	x	x	✓	✓	✓	✓	✓	✓
Kleo	✓	✓	x	x	x	x	x	✓	✓	✓*	✓	✓
Lyta-S (horizontal)	✓	✓	x	x	x	x	✓	✓	✓	✓	✓	✓
Lyta-T (vertical)	✓	✓	x	x	x	x	✓	✓	✓	✓	✓	✓
Metropolitan	✓	✓	✓	✓	✓	✓	x	✓	✓	✓	✓	✓
Metropolitan Spa	✓	✓	✓	✓	✓	✓	x	✓	✓	✓	✓	✓
Nobis	✓	✓	x	x	x	x	x	✓	✓	✓	✓	✓
Osbourne	✓	✓	x	x	x	x	✓	✓	✓	✓	✓	✓
Quaro Spa	✓	✓	✓	✓	✓	✓	✓	✓	✓	✓	✓	✓
Roda	✓	✓	x	x	x	x	✓	✓	✓	✓*	✓	✓
Roda Mirror	✓	✓	x	x	x	x	✓	✓	✓	✓	✓	✓
Roda Spa	✓	✓	x	x	x	x	✓	✓	✓	✓	✓	✓
Roda Spa Asym	✓	✓	x	x	x	x	✓	✓	✓	✓	✓	✓
Sfera Bow	✓	✓	x	x	x	x	✓	✓	✓	✓	✓	✓
Stellar	✓	✓	✓	✓	✓	✓	✓	✓	✓	✓	✓	✓
Stellar Spa	✓	✓	✓	✓	✓	✓	✓	✓	✓	✓	✓	✓
Stratos	✓	✓	✓	✓	✓	✓	x	✓	✓	✓	✓	✓
Subway	✓	✓	✓	✓	✓	✓	✓	✓	✓	✓	✓	✓
Vitalo Bar	✓	✓	✓	✓	✓	✓	x	✓	✓	✓	✓	✓
Yucca range	✓	✓	x	x	x	x	x	✓	✓	✓	✓	✓

\*Not suitable for single panel models.

The thermostatic valves are not bi-directional and must be installed on the flow connection position.

Please note:

All valves are ex-stock

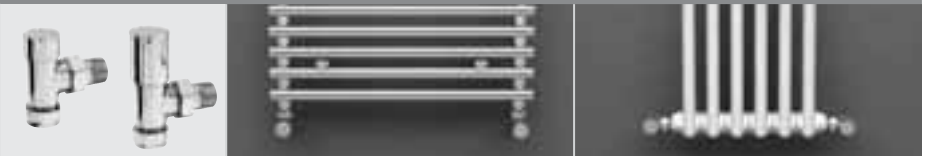
ALL prices shown here EXCLUDE VAT

**Manual Valves**

**VAL-SET-1-CR £39**

Modern angled radiator valve set chrome plated.

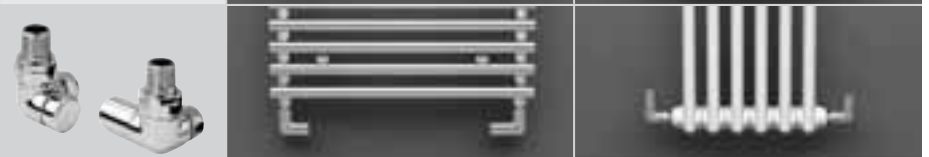
Centre of valve to point of connection: 38mm



**VAL-SET-2-CR £55**

Contemporary double angled radiator valve set chrome plated.

Centre of valve to point of connection: 37mm



**VAL-SET-5-BS £199**

Square head angled valve set brushed steel.

**VAL-SET-5-CR £191**

Square head angled valve set chrome plated.

Centre of valve to point of connection: 48mm



**VAL-SET-6-BS £204**

Square head double angled valve set brushed steel.

**VAL-SET-6-CR £196**

Square head double angled valve set chrome plated.

Centre of valve to point of connection: 48mm



**VAL-SET-8-CR £100**

Traditional valve set chrome plated.

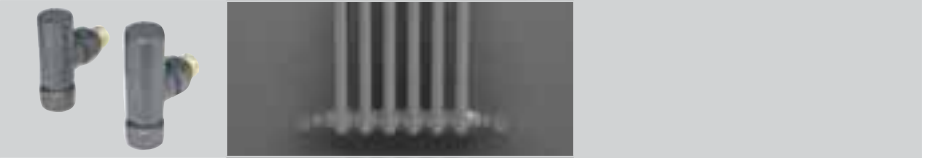
Centre of valve to point of connection: 37mm



**VAL-SET-27-VO £98**

Modern angled radiator valve set. Volcanic finish

Centre of valve to point of connection:



**VAL-SET-28-VO £121**

Contemporary double angled radiator valve set. Volcanic finish

Centre of valve to point of connection:

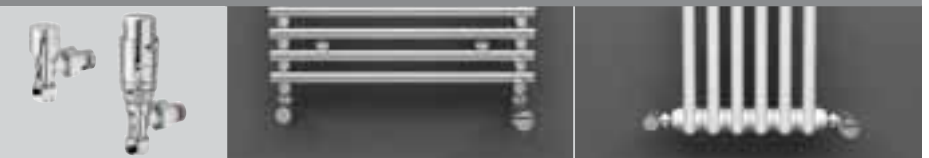


**Thermostatic Valves**

**VAL-SET-9-CR £125**

Thermostatic angled valve set chrome plated.

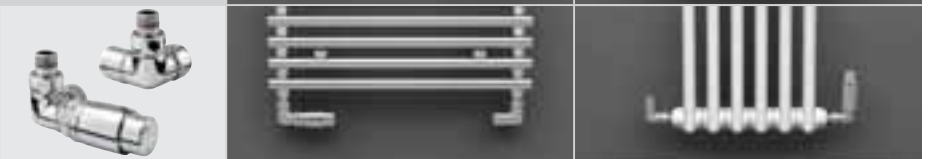
Centre of valve to point of connection: 40mm



**VAL-SET-10-CR £171**

Thermostatic double angled valve set chrome plated.

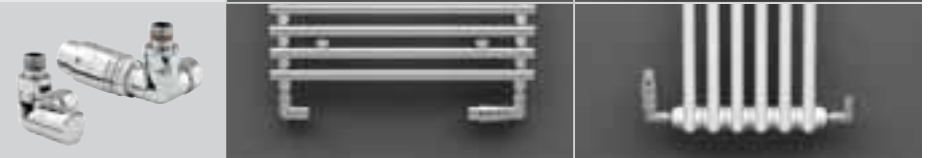
Centre of valve to point of connection: 44mm



**VAL-SET-11-CR £171**

Thermostatic double angled valve set chrome plated.

Centre of valve to point of connection: 44mm



**Speciality Valves pipe work from the wall**

These valves are suitable for the Yucca radiator on both central heating and dual energy installations.

A TRV head, nut and olive set are also required.

DE Pack also needs to be ordered separately.

All prices shown are ex vat

TRV Head		Central heating & DE		
white	chrome			
<b>1011061</b>	<b>1011069</b>			
<b>£19</b>	<b>£21</b>			
1/2" nut and olive. Set of 2.				
<b>1016863</b>				
<b>£11</b>		with short cover plate (adds 140mm to height of radiator)		
white	chrome	colour		
<b>976031</b>	<b>976038</b>	<b>976039</b>		
<b>£179</b>	<b>£249</b>	<b>£205</b>		

Pipework from the floor	Manual Valve sets							Thermostatic Valve sets				
	VAL-SET-3-CR £39	VAL-SET-1-CR £39	VAL-SET-5-BS £199	VAL-SET-5-CR £191	VAL-SET-8-CR £100	NEW VAL-SET-26-VO £98	NEW VAL-SET-27-VO £98	VAL-SET-12-CR £125	VAL-SET-9-CR £125	VAL-SET-16-CR £180	VAL-SET-17-BR £146	VAL-SET-17-VO £134
Ax	✓	x	x	x	x	✓	x	✓	x	x	x	x
Ax Spa	✓	x	x	x	x	✓	x	✓	x	x	x	x
Balmoral	x	✓	x	x	✓	x	✓	x	✓	✓	✓	✓
Bay	✓	✓	✓	✓	x	✓	✓	✓	✓	x	✓	✓
Buckingham	✓	x	x	x	x	✓	x	x	x	x	x	x
Charleston	x	✓	x	x	✓	x	✓	x	✓	✓	✓	✓
Cove	✓	x	x	x	x	✓	x	✓	x	x	x	x
Keel range	✓	x	x	x	x	✓	x	✓	x	x	x	x
Kensington	x	✓	x	x	✓	x	✓	x	✓	✓	✓	✓
Klaro	✓	x	x	x	x	✓	x	✓	x	x	x	x
Kleo	✓	x	x	x	x	✓	x	✓	x	x	x	x
Lyta-S (horizontal)	x	✓	x	x	x	x	✓	x	✓	✓	x	x
Lyta-T (vertical)	x	✓	x	x	x	x	✓	x	✓	✓	x	x
Metropolitan	✓	x	x	x	x	✓	x	✓	x	x	x	x
Metropolitan Spa	✓	x	x	x	x	✓	x	✓	x	x	x	x
Nobis	✓	x	x	x	x	✓	x	✓	x	x	x	x
Osbourne	x	✓	x	x	✓	x	✓	x	x	✓	x	x
Quaro Spa	✓	x	x	x	x	✓	x	✓	x	x	x	x
Roda	✓	x	x	x	x	✓	x	✓	x	x	x	x
Roda Mirror	✓	x	x	x	x	✓	x	✓	x	x	x	x
Roda Spa Asym ROFR	✓	x	x	x	x	✓	x	✓	x	x	x	x
Roda Spa Asym ROFL	✓	x	x	x	x	✓	x	✓	x	x	x	x
Sfera Bow	✓	x	x	x	x	✓	x	✓	x	x	x	x
Stellar	✓	x	x	x	x	✓	x	✓	x	x	x	x
Stellar Spa	✓	x	x	x	x	✓	x	✓	x	x	x	x
Stratos	x	✓	✓	✓	x	x	✓	x	✓	✓	✓	✓
Subway	✓	x	x	x	x	✓	x	✓	x	x	x	x
Vitalo Bar	✓	x	x	x	x	✓	x	✓	x	x	x	x
Yucca range	✓	x	x	x	x	✓	x	✓	x	x	x	x

The thermostatic valves are not bi-directional and must be installed on the flow connection position.

Please note:

All valves are ex-stock

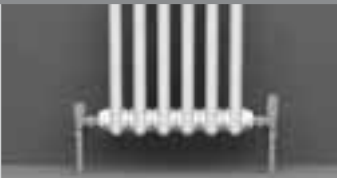
ALL prices shown here EXCLUDE VAT

## Valves

### VAL-SET-1-CR £39

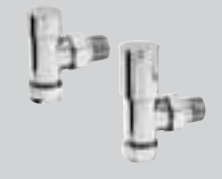
Modern angled radiator valve set chrome plated.

Centre of valve to point of connection: 38mm



### VAL-SET-3-CR £39

Stylish straight radiator valve set chrome plated.



### VAL-SET-5-BS £199

Square head angled valve set brushed steel.



### VAL-SET-5-CR £191

Square head angled valve set chrome plated.

Centre of valve to point of connection: 48mm



### VAL-SET-8-CR £100

Traditional valve set chrome plated.

Centre of valve to point of connection: 37mm



### VAL-SET-26-VO £98

Stylish straight radiator valve set.

Volcanic finish



### VAL-SET-27-VO £98

Modern angled radiator valve set.

Volcanic finish



## Thermostatic Valves

### VAL-SET-9-CR £125

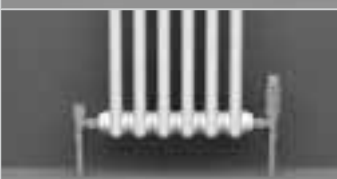
Thermostatic angled valve set chrome plated.

Centre of valve to point of connection: 40mm



### VAL-SET-12-CR £125

Thermostatic straight valve set chrome plated.



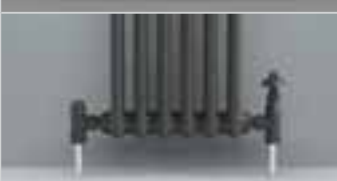
### VAL-SET-17-BR £146

Antique design angled thermostatic valve set  
brass finish.

### VAL-SET-17-VO £134

Antique design angled thermostatic valve set  
volcanic finish.

Centre of valve to point of connection: 44mm



Dual energy installations  The electrical element must always be fitted to the return side of the radiator  Prices EXCLUDE VAT	Pipe work from the floor					Pipe work from the wall													
	Manual Valve sets			Thermostatic Valve sets		Manual Valve sets						Thermostatic Valve sets							
	VAL-SET-4-CR £39	VAL-SET-3-CR £39	VAL-SET-5-CR £191 <b>NEW</b>	VAL-SET-13-CR £125	VAL-SET-12-CR £125	VAL-SET-1-CR £39	VAL-SET-2-CR £55	VAL-SET-18-CR £120	VAL-SET-19-CR £120	VAL-SET-5-BS £199	VAL-SET-26-VO £98	VAL-SET-27-VO £98 <b>NEW</b>	VAL-SET-28-VO £121 <b>NEW</b>	VAL-SET-14-CR £140	VAL-SET-15-CR £140	VAL-SET-10-CR £171	VAL-SET-11-CR £171	VAL-SET-20-CR £166	VAL-SET-21-CR £166
Ax Spa	✓	x	x	✓	x	✓	x	✓	x	x	x	✓	x	x	✓	x	x	✓	x
Cove	✓	x	✓	✓	x	✓	x	✓	✓	✓	x	✓	x	✓	✓	x	x	✓	✓
Keel range	✓	x	✓	✓	x	✓	x	✓	✓	✓	x	✓	x	✓	✓	x	x	✓	✓
Klaro	✓	x	x	✓	x	✓	x	✓	✓	x	x	✓	x	✓	✓	x	x	✓	✓
Metropolitan Spa (METM)	x	✓	✓	x	✓	✓	✓	✓	✓	x	✓	✓	✓	x	x	✓	✓	✓	✓
Quaro Spa	x	✓	✓	x	✓	✓	✓	✓	✓	x	✓	✓	✓	x	x	✓	✓	✓	✓
Roda	✓	x	x	✓	x	✓	x	✓	✓	x	x	✓	x	✓	✓	x	x	✓	✓
Roda Spa	✓	x	x	✓	x	✓	x	✓	✓	x	x	✓	x	✓	✓	x	x	✓	✓
Roda Spa Asym ROFR	✓	x	x	✓	x	✓	x	✓	✓	x	x	✓	x	✓	x	x	x	✓	✓
Roda Spa Asym ROFL	✓	x	x	✓	x	✓	x	✓	✓	x	x	✓	x	x	✓	x	x	✓	✓
Sfera Bow	✓	x	x	✓	x	✓	x	✓	x	x	x	✓	x	✓	x	x	x	✓	x
Stellar	✓	x	✓	✓	x	✓	x	✓	✓	x	x	✓	x	✓	✓	x	x	✓	✓
Stellar Spa	✓	x	✓	✓	x	✓	x	✓	✓	x	x	✓	x	✓	✓	x	x	✓	✓
Subway	x	✓	✓	x	✓	✓	✓	✓	✓	x	✓	✓	✓	x	x	✓	✓	✓	✓
Yucca range	✓	x	x	✓	x	✓	x	✓	✓	x	x	✓	x	✓	✓	x	x	✓	✓

**Manual Valves pipe work from the floor**

<p><b>VAL-SET-3-CR £39</b> Stylish straight radiator valve set chrome plated.</p>		
<p><b>VAL-SET-4-CR £39</b> Mixed dual energy radiator valve set chrome plated.</p>		
<p><b>VAL-SET-26-VO £98</b> Stylish straight radiator valve set. Volcanic finish.</p>		

**Thermostatic Valves pipe work from the floor**

<p><b>VAL-SET-13-CR £125</b> Thermostatic mixed valve set chrome plated.</p>		
<p><b>VAL-SET-12-CR £125</b> Thermostatic straight valve set chrome plated.</p>		

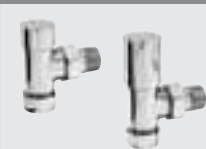
**Optional Simple immersion heater cover**

<p><b>SHECZ-CR</b> chrome finish £45.00 plus vat</p>		
--	--	--

**Manual valves pipework from the wall**

**VAL-SET-1-CR £39**

Modern angled radiator valve set chrome plated.



**VAL-SET-2-CR £55**

Contemporary double angled radiator valve set chrome plated.



**VAL-SET-5-BS £199**

Square head angled valve set brushed steel.



**VAL-SET-5-CR £191**

Square head angled valve set chrome plated.



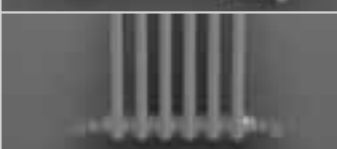
**VAL-SET-18-CR £55**

Dual fuel right hand flow valve set chrome plated.



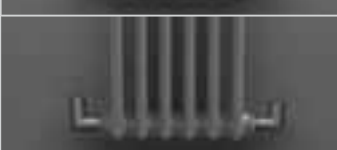
**VAL-SET-19-CR £120**

Dual fuel left hand flow valve set chrome plated.



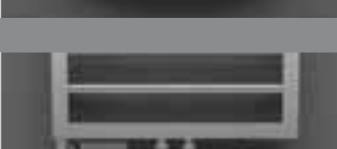
**VAL-SET-27-VO £98**

Modern angled radiator valve set. Volcanic finish



**VAL-SET-28-VO £121**

Contemporary double angled radiator valve set. Volcanic finish



**Thermostatic Valves**

**VAL-SET-10-CR £171**

Thermostatic double angled valve set chrome plated.



**VAL-SET-11-CR £171**

Thermostatic double angled valve set chrome plated.



**VAL-SET-14-CR £140**

Thermostatic double angled mixed valve set chrome plated.



**VAL-SET-15-CR £140**

Thermostatic double angled mixed valve set chrome plated.



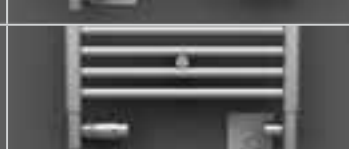
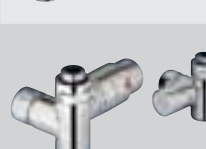
**VAL-SET-20-CR £166**

Thermostatic dual fuel right hand flow valve set chrome plated.



**VAL-SET-21-CR £166**

Thermostatic dual fuel left hand flow valve set chrome plated.



# Zehnder dual energy and electric elements

Zehnder's range of electric radiators, with their factory-fitted electric elements, give economical and efficient heating wherever required.

Dual energy towel drying radiators continue to offer warmth and comfort throughout the home during summer months when the central heating system is not in use.

**To switch heating operations:**

**For summer use:**

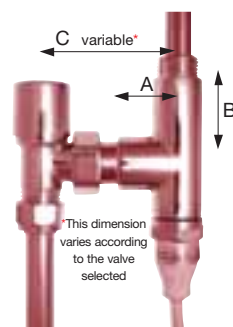
- Switch off the central heating
- Vent the radiator to ensure there isn't any air present
- Close the flow valve (only)
- Activate the immersion heater as required

**For winter use:**

- De-activate the immersion heater
- Open the flow valve

The immersion heater should be fitted on the return side of the radiator

Simultaneous use of the electrical element and the central heating should be avoided as this will shorten the life of the element and invalidate the warranty.



Dimensions (mm)		
A	B	C
DBM short t-piece with Chromax valve		
22	17	65
DE-Pack short t-piece with Chromax valve		
22	17	65

We recommend that all electrical work be undertaken in accordance with current I.E.E wiring regulations. If in doubt of zoning requirements, we recommend that a 30mA R.C.D is installed.

Zehnder dual energy heating options			
Model	DE pack	DBM	Safir
Ax Spa	✓	✓	
Cove	✓	✓	
Keel Range	✓		
Klaro	✓	✓	
Metropolitan Spa			✓
Roda Spa	✓	✓	
Roda Spa Asymmetrical	✓	✓	
Sfera Bow	✓	✓	
Stellar	✓	✓	
Stellar Spa	✓	✓	
Subway	✓	✓	
Yucca Range	✓	✓*	

✓ Self fit  
 ✓ Factory fitted dual energy immersion heater - see page 33 for details  
 \* DBM not suitable for use with the Yucca Valve

DE Pack (Class I IPX5 - Zone 1 and 2) Electrical element and chromium plated t-piece for element and radiator valve connection (no controls).	Model	Watts	Length (mm)	RRP (ex VAT)	RRP (inc VAT)
	DE Pack 100	100	304	£125	£150.00
	DE Pack 150	150	304		
	DE Pack 200	200	339		
	DE Pack 300	300	377		
	DE Pack 400	400	416		
	DE Pack 500	500	496		
	DE Pack 600	600	581		
	DE Pack 700	700	753		
	DE Pack 900	900	900		

DBM Pack (Class II IPX4 - Zone 1 and 2) Manual and programmable operations, 2 temperature settings, 2 hour programmable timer. Equipped with a thermal fuse. Chromium plated t-piece included with dual energy version.	Model	Watts	Finish	RRP (ex VAT)	RRP (inc VAT)
	857531	150	white	£179	£214.80
	857541	200			
	857211	300			
	857251	500			
	857221	600			
	857261	750			
	857231	900	chrome	£204	£244.80
	857288	150			
	857278	200			
	857218	300			
	857258	500			
	857228	600			
	857268	750			
	857238	900			









Zehnder electric energy factory-fitted elements							Programmable with infra red controls
Model	Non-programmable	Programmable*					
	Simple immersion	BHCLIGHT1-S	LCD controller	DBM	Memoproq	Wivar	Safir**
Alura			✓				
Ax Spa	✓			✓			✓
Balmoral	✓						
Buckingham	✓						
Charleston		✓					
Klaro	✓						
Metropolitan Spa							✓
Osbourne	✓						
Quaro Spa							✓
Roda Spa	✓			✓			✓
Roda Spa Asymmetrical					✓		
Sfera Bow	✓***			✓			✓
Subway	✓***						✓
Yucca range						✓	

\* Programmable to varying levels of functionality.


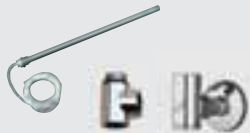
\*\* The shape of the Safir immersion unit differs according to the radiator.

\*\*\* Subway and Sfera simple immersion heater housed in Safir casing.

#### Factory fitted options

	<p><b>Memoproq (Class II IPX4 - Zone 1 bath and Zone 2 shower)</b> Energy savings electronic room temperature control with programmable or manual temperature boost for towel drying. (Image shows unit with hinged cover in the open position).</p>
	<p><b>Safir (Class II IPX4 - Zone 1 bath and Zone 2 shower)</b> Programmable infrared electronic regulation system with constant, economy, boost and automatic settings. Equipped with a thermal fuse. (The shape of the Safir receiver differs to suit the radiator design. The image shows the Infra red control unit).</p>
	<p><b>Wivar (Class 1 IPX4 - Zone 1)</b> Room temperature control with 4 adjustable temperature settings. Timer function with 3 selectable times and the option via smartphone app to load a weekly programme</p>
	<p><b>BHCLIGHT1-S (Class II IPX4 Zone 1 bath and Zone 2 shower)</b> 9 heat settings plus 5 mode settings. Can be used independently or be wired into a central programming unit.</p>
	<p><b>Alura Temperature Controller:</b> Backlit LCD digital display screen gives complete control. Temperature can be adjusted in 0.5°C increments. 3 pre-set programmes and 5 mode settings. Open window detection system and parental lock.</p>
	<p><b>Premium (Class II IPX4 - Zone 1 bath and Zone 2 shower)</b> Ergonomically positioned control unit. 5 heat settings plus option to reduce the set level by 3.5°C for night time use. Central and manual programming functions.</p>

#### Factory-fitted/self-fit options

	<p><b>DBM (Class II IPX4 - Zone 1 bath and Zone 2 shower)</b> Manual and programmable operations, 2 temperature settings, 2 hour programmable timer. Equipped with a thermal fuse. Chromium plated t-piece included with dual energy version.</p>
	<p><b>DE Pack (Class I IPX5 - Zone 1 bath and Zone 2 shower)</b> Electric element without controls. Chromium plated t-piece included with dual energy version. Optional Zehnder simple immersion heater element and cable cover - Chrome Finish</p>



## Technical specifications

Zehnder's aim is to provide reliability and precision at every stage of the design process and give specifiers and installers confidence in the sizing of radiators in order to avoid issues of under-performance in operation.

All Zehnder radiators have the CE mark, having been independently tested in accredited laboratories to EN442 in accordance with CE requirements, and our published heat output figures are fully in line with the testing criteria. Consumers can be assured that the radiators will perform as stated.

## Zehnder Quaro Spa

Stock Models														
Model code	Height mm	Width mm	Finish	Overall Projection mm	Pipe Centres mm		Outputs $\Delta T=50K$		Outputs $\Delta T=30K$		n Exponent	Weight kg	Water Content litres	Max. Immersion Rating
					radiator	from wall	Watts	Btu	Watts	Btu				
QS-075-045	803	450	white/colour	90-100	418	75-85	332	1133	177	605	1.23	7.5	3.7	200
QS-120-045	1251	450	white/colour	90-100	418	75-85	493	1682	262	894	1.24	10.3	5.4	300
QS-120-055	1251	550	white/colour	90-100	518	75-85	580	1979	308	1051	1.24	12	6.3	400
QS-150-045	1507	450	white/colour	90-100	418	75-85	588	2006	312	1063	1.24	11.9	6.5	400
QS-150-055	1507	550	white/colour	90-100	518	75-85	694	2368	368	1254	1.24	14	7.4	500
QS-180-055	1827	550	white/colour	90-100	518	75-85	851	2904	452	1544	1.24	16.9	9.2	600
QSC-075-045	803	450	chrome	90-100	418	75-85	206	703	108	368	1.27	7.1	3.7	150
QSC-120-045	1251	450	chrome	90-100	418	75-85	313	1068	163	557	1.28	9.8	5.4	200
QSC-120-055	1251	550	chrome	90-100	518	75-85	376	1283	197	671	1.27	11.6	6.3	300
QSC-150-045	1507	450	chrome	90-100	418	75-85	371	1266	192	656	1.29	11.3	6.5	300
QSC-150-055	1507	550	chrome	90-100	518	75-85	443	1512	230	783	1.29	13.4	7.4	300
QSC-180-055	1827	550	chrome	90-100	518	75-85	544	1856	283	965	1.28	16.1	9.2	400

Max. Working Pressure: 10 bar      Test House: WSP-LAB  
 Max. Working Temperature: xxx°C      Test House No: 1428

## Zehnder Vitalo Bar

Stock Models														
Model code	Height mm	Width mm	Finish	Overall Projection mm	Pipe Centres mm		Outputs $\Delta T=50K$		Outputs $\Delta T=30K$		n Exponent	Weight kg	Water Content litres	Max. Immersion Rating
					radiator	from wall	Watts	Btu	Watts	Btu				
VIP-125-040	1250	400	white	115	50	60	465	1587	249	850	1.22	7.0	0.7	
VIP-125-050	1250	500	white	115	50	60	555	1894	298	1017	1.22	8.7	0.8	
VIP-125-060	1250	600	white	115	50	60	641	2187	345	1177	1.21	10.5	0.9	
VIP-160-040	1600	400	white	115	50	60	546	1863	296	1010	1.20	9.3	0.7	
VIP-160-050	1600	500	white	115	50	60	676	2307	364	1242	1.21	11.4	0.9	
VIP-160-060	1600	600	white	115	50	60	806	2750	434	1481	1.21	13.6	1.0	
VIP-190-040	1900	400	white	115	50	60	673	2296	363	1239	1.21	10.9	0.9	
VIP-190-050	1900	500	white	115	50	60	834	2846	450	1535	1.21	12.7	1.1	
VIP-190-060	1900	600	white	115	50	60	994	3392	536	1829	1.21	14.6	1.3	

Max. Working Pressure: 10 bar      Test House: WSP-LAB  
 Max. Working Temperature: 80°C      Test House No: 1428

## Zehnder Klaro

Stock Models														
Model code	Height mm	Width mm	Finish	Overall Projection mm	Pipe Centres mm		Outputs $\Delta T=50K$		Outputs $\Delta T=30K$		n Exponent	Weight kg	Water Content litres	Max. Immersion Rating
					radiator	from wall	Watts	Btu	Watts	Btu				
ZSL-080-045	748	450	white/colour	87 to 102	412	68 to 83	354	1208	187	638	1.25	5.4	3.6	200
ZSL-080-050	748	500	white/colour	87 to 102	462	68 to 83	388	1324	205	699	1.25	5.8	3.8	200
ZSL-080-060	748	600	white/colour	87 to 102	562	68 to 83	455	1552	240	819	1.25	6.7	4.3	300
ZSL-120-045	1148	450	white/colour	87 to 102	412	68 to 83	521	1778	272	928	1.27	8.1	5.4	300
ZSL-120-050	1148	500	white/colour	87 to 102	462	68 to 83	571	1948	298	1017	1.27	8.7	5.8	400
ZSL-120-060	1148	600	white/colour	87 to 102	562	68 to 83	670	2286	352	1201	1.26	9.8	6.6	500
ZSL-150-050	1466	500	white/colour	87 to 102	462	68 to 83	716	2443	372	1269	1.28	10.9	7.4	500
ZSL-150-060	1466	600	white/colour	87 to 102	562	68 to 83	839	2863	436	1488	1.28	12.3	8.5	500
ZSL-170-045	1708	450	white/colour	87 to 102	412	68 to 83	751	2562	385	1314	1.31	11.2	7.9	500
ZSL-170-050	1708	500	white/colour	87 to 102	462	68 to 83	824	2811	424	1447	1.30	12.2	8.5	500
ZSL-170-060	1708	600	white/colour	87 to 102	562	68 to 83	966	3296	502	1713	1.28	14.2	9.6	600
ZSLC-080-050	748	500	chrome	87 to 102	462	68 to 83	283	966	146	498	1.30	5.8	3.8	200
ZSLC-080-060	748	600	chrome	87 to 102	562	68 to 83	332	1133	172	587	1.29	6.7	4.3	200
ZSLC-120-050	1148	500	chrome	87 to 102	462	68 to 83	417	1423	216	737	1.29	8.7	5.8	300
ZSLC-120-060	1148	600	chrome	87 to 102	562	68 to 83	489	1668	250	853	1.31	9.8	6.6	300
ZSLC-150-050	1466	500	chrome	87 to 102	462	68 to 83	475	1621	241	822	1.33	10.5	7.3	300
ZSLC-150-060	1466	600	chrome	87 to 102	562	68 to 83	560	1911	284	969	1.33	12.1	8.4	400
ZSLC-170-050	1708	600	chrome	87 to 102	562	68 to 83	601	2050	308	1051	1.31	12.2	8.5	400
ZSLC-170-060	1708	600	chrome	87 to 102	562	68 to 83	705	2405	361	1232	1.31	14.2	9.6	500

Max. Working Pressure: 4 bar      Test House: HLK STUTTGART  
 Max. Working Temperature: 110°C      Test House No: 0626

## Zehnder Subway

Stock Models														
Model code	Height mm	Width mm	Finish	Overall Projection mm	Pipe Centres mm		Outputs $\Delta T=50K$		Outputs $\Delta T=30K$		n Exponent	Weight kg	Water Content litres	Max. Immersion Rating
					radiator	from wall	Watts	Btu	Watts	Btu				
SUB-060-045	613	450	white/colour	70 to 80	50 or 418	55 to 65	310	1058	164	560	1.25	5.2	2.3	200
SUB-100-045	973	450	white/colour	70 to 80	50 or 418	55 to 65	401	1368	212	723	1.25	6.7	3.5	300
SUB-100-060	973	600	white/colour	70 to 80	50 or 568	55 to 65	499	1703	264	901	1.25	8.3	4.3	300
SUB-130-045	1261	450	white/colour	70 to 80	50 or 418	55 to 65	509	1737	269	918	1.25	8.6	4.5	300
SUB-130-060	1261	600	white/colour	70 to 80	50 or 568	55 to 65	639	2180	337	1150	1.25	10.5	5.4	400
SUB-150-045	1549	450	white/colour	70 to 80	50 or 418	55 to 65	615	2098	325	1109	1.25	10.6	5.4	400
SUB-150-060	1549	600	white/colour	70 to 80	50 or 568	55 to 65	772	2634	408	1392	1.25	12.5	7.2	500
SUB-180-045	1837	450	white/colour	70 to 80	50 or 418	55 to 65	715	2440	380	1297	1.24	12.2	6.3	500
SUB-180-060	1837	600	white/colour	70 to 80	50 or 568	55 to 65	898	3064	477	1628	1.24	14.7	7.7	600
SUBC-060-045	613	450	chrome	70 to 80	50 or 418	55 to 65	205	699	107	365	1.27	5.0	2.3	100
SUBC-100-045	973	450	chrome	70 to 80	50 or 418	55 to 65	265	904	139	474	1.27	6.5	3.5	200
SUBC-100-060	973	600	chrome	70 to 80	50 or 568	55 to 65	329	1123	173	590	1.26	8.1	4.3	200
SUBC-130-045	1261	450	chrome	70 to 80	50 or 418	55 to 65	335	1143	175	597	1.27	8.4	4.5	200
SUBC-130-060	1261	600	chrome	70 to 80	50 or 568	55 to 65	406	1385	213	727	1.26	10.2	5.4	300
SUBC-150-045	1549	450	chrome	70 to 80	50 or 418	55 to 65	420	1433	220	751	1.27	10.1	5.4	300
SUBC-150-060	1549	600	chrome	70 to 80	50 or 568	55 to 65	508	1733	267	911	1.26	12.3	7.2	300
SUBC-180-045	1837	450	chrome	70 to 80	50 or 418	55 to 65	485	1655	254	867	1.27	11.8	6.3	300
SUBC-180-060	1837	600	chrome	70 to 80	50 or 568	55 to 65	592	2020	311	1061	1.26	14.3	7.7	400

Max. Working Pressure: 20 bar  
Max. Working Temperature: 120°C

Test House: HLK STUTTGART  
Test House No: 0626

## Zehnder Sfera Bow

Stock Models														
Model code	Height mm	Width mm	Finish	Overall Projection mm	Pipe Centres mm		Outputs $\Delta T=50K$		Outputs $\Delta T=30K$		n Exponent	Weight kg	Water Content litres	Max. Immersion Rating
					radiator	from wall	Watts	Btu	Watts	Btu				
SH-086-050	859	498	white/colour	138 to 153	446	70 to 85	460	1569	245	836	1.23	8.0	4.1	300
SH-086-060	859	593	white/colour	138 to 153	541	70 to 85	554	1890	296	1010	1.23	9.2	4.6	300
SH-126-050	1255	498	white/colour	138 to 153	446	70 to 85	710	2423	379	1293	1.23	12.5	6.3	500
SH-126-060	1255	593	white/colour	138 to 153	541	70 to 85	850	2900	453	1546	1.23	14.4	7.0	600
SH-175-050	1750	498	white/colour	138 to 153	446	70 to 85	946	3228	505	1723	1.23	17.3	8.7	600
SH-175-060	1750	593	white/colour	138 to 153	541	70 to 85	1126	3841	601	2051	1.23	19.8	9.7	750
SHC-086-050	859	498	chrome	138 to 153	446	70 to 85	316	1078	169	577	1.23	8.0	4.1	200
SHC-086-060	859	593	chrome	138 to 153	541	70 to 85	350	1194	187	638	1.23	9.2	4.6	200
SHC-126-050	1255	498	chrome	138 to 153	446	70 to 85	476	1624	254	867	1.23	12.5	6.3	300
SHC-126-060	1255	593	chrome	138 to 153	541	70 to 85	573	1955	306	1044	1.23	14.4	7.0	300
SHC-175-050	1750	498	chrome	138 to 153	446	70 to 85	650	2218	347	1184	1.23	17.3	8.7	500
SHC-175-060	1750	593	chrome	138 to 153	541	70 to 85	775	2644	413	1409	1.23	19.8	9.7	500

Max. Working Pressure: 4 bar  
Max. Working Temperature: 110°C

Test House: WSP-LAB  
Test House No: 1428

## Zehnder Yucca Asym

Stock Models														
Model code	Height mm	Width mm	Finish	Overall Projection mm	Pipe Centres mm		Outputs $\Delta T=50K$		Outputs $\Delta T=30K$		n Exponent	Weight kg	Water Content litres	Max. Immersion Rating
					radiator	from wall	Watts	Btu	Watts	Btu				
Single tube														
YA-090-050	872	478	white/colour	82 to 97	50	48 to 63	353	1204	183	624	1.29	9.2	2.8	200
YA-130-040	1304	378	white/colour	82 to 97	50	48 to 63	439	1498	232	792	1.25	11.3	3.6	300
YA-130-050	1304	478	white/colour	82 to 97	50	48 to 63	525	1791	272	928	1.29	13.6	4.2	300
YA-130-060	1304	578	white/colour	82 to 97	50	48 to 63	607	2071	314	1071	1.29	15.9	4.7	400
YA-170-040	1736	378	white/colour	82 to 97	50	48 to 63	574	1958	298	1017	1.28	15.0	4.8	400
YA-170-050	1736	478	white/colour	82 to 97	50	48 to 63	696	2375	360	1228	1.29	18.1	5.6	500
YA-170-060	1736	578	white/colour	82 to 97	50	48 to 63	798	2723	411	1402	1.30	21.1	6.3	500
YAC-090-050	872	478	chrome	82 to 97	50	48 to 63	247	842	128	437	1.29	9.2	2.8	150
YAC-130-040	1304	378	chrome	82 to 97	50	48 to 63	307	1047	162	553	1.25	11.3	3.6	200
YAC-130-050	1304	478	chrome	82 to 97	50	48 to 63	367	1254	190	648	1.29	13.6	4.2	200
YAC-130-060	1304	578	chrome	82 to 97	50	48 to 63	424	1447	219	747	1.29	15.9	4.7	300
YAC-170-040	1736	378	chrome	82 to 97	50	48 to 63	402	1372	209	713	1.28	15.0	4.8	300
YAC-170-050	1736	478	chrome	82 to 97	50	48 to 63	487	1662	252	860	1.29	18.1	5.6	300
YAC-170-060	1736	578	chrome	82 to 97	50	48 to 63	559	1907	288	983	1.30	21.1	6.3	300
Double tube														
YAD-130-040	1304	378	white/colour	124 to 139	50	92 to 107	625	2133	322	1099	1.30	19.7	5.7	400
YAD-130-060	1304	578	white/colour	124 to 139	50	92 to 107	880	3003	442	1508	1.35	28.9	8.0	600
YAD-170-040	1736	378	white/colour	124 to 139	50	92 to 107	832	2838	430	1467	1.29	26.2	7.7	500
YAD-170-050	1736	478	white/colour	124 to 139	50	92 to 107	995	3395	510	1740	1.31	32.3	9.1	600
YAD-170-060	1736	578	white/colour	124 to 139	50	92 to 107	1151	3927	580	1979	1.34	38.4	10.6	750
Max. Working Pressure: 12 bar				Test House: WSP-LAB										
Max. Working Temperature: 120°C				Test House No: 1428										

## Zehnder Yucca Sym

Stock Models														
Model code	Height mm	Width mm	Finish	Overall Projection mm	Pipe Centres mm		Outputs $\Delta T=50K$		Outputs $\Delta T=30K$		n Exponent	Weight kg	Water Content litres	Max. Immersion Rating
					radiator	from wall	Watts	Btu	Watts	Btu				
Single tube														
YS-090-050	908	500	white/colour	82 to 97	50	48 to 63	321	1129	170	580	1.24	8.4	2.6	200
YS-130-050	1340	500	white/colour	82 to 97	50	48 to 63	477	1628	251	856	1.26	12.6	4.0	300
YS-130-060	1340	600	white/colour	82 to 97	50	48 to 63	541	1846	284	969	1.26	14.2	4.3	300
YS-130-080	1340	800	white/colour	82 to 97	50	48 to 63	661	2255	346	1181	1.27	17.2	5.1	500
YS-180-050	1772	500	white/colour	82 to 97	50	48 to 63	621	2119	328	1119	1.25	16.8	5.2	400
YS-180-060	1772	600	white/colour	82 to 97	50	48 to 63	706	2409	371	1266	1.26	18.8	5.7	500
YS-180-080	1772	800	white/colour	82 to 97	50	48 to 63	863	2945	447	1525	1.29	22.9	6.7	600
YSC-090-050	908	500	chrome	82 to 97	50	48 to 63	224	764	119	406	1.24	8.4	2.6	150
YSC-130-050	1340	500	chrome	82 to 97	50	48 to 63	333	1136	175	597	1.26	12.6	4.0	200
YSC-130-060	1340	600	chrome	82 to 97	50	48 to 63	378	1290	199	679	1.26	14.2	4.3	300
YSC-130-080	1340	800	chrome	82 to 97	50	48 to 63	462	1576	241	822	1.27	17.2	5.1	300
YSC-180-050	1772	500	chrome	82 to 97	50	48 to 63	434	1481	229	781	1.25	16.8	5.2	300
YSC-180-060	1772	600	chrome	82 to 97	50	48 to 63	494	1686	260	887	1.26	18.8	5.7	300
YSC-180-080	1772	800	chrome	82 to 97	50	48 to 63	604	2061	313	1068	1.29	22.9	6.7	400
Double tube														
YSD-130-050	1340	500	white/colour	124 to 139	50	92 to 107	717	2446	375	1280	1.27	22.3	6.4	500
YSD-130-060	1340	600	white/colour	124 to 139	50	92 to 107	823	2808	428	1460	1.28	25.3	7.1	500
YSD-130-080	1340	800	white/colour	124 to 139	50	92 to 107	1024	3494	527	1798	1.30	31.4	8.5	600
YSD-180-050	1772	500	white/colour	124 to 139	50	92 to 107	926	3159	479	1634	1.29	29.6	8.4	600
YSD-180-060	1772	600	white/colour	124 to 139	50	92 to 107	1063	3627	547	1866	1.30	33.7	9.4	600
YSD-180-080	1772	800	white/colour	124 to 139	50	92 to 107	1322	4511	674	2300	1.32	41.8	11.4	900
Max. Working Pressure: 12 bar				Test House: WSP-LAB										
Max. Working Temperature: 120°C				Test House No: 1428										

## Zehnder Metropolitan Spa

Stock Models														
Model code	Height mm	Width mm	Finish	Overall Projection mm	Pipe Centres mm		Outputs $\Delta T=50K$		Outputs $\Delta T=30K$		n Exponent	Weight kg	Water Content litres	Max. Immersion Rating
					radiator	from wall	Watts	Btu	Watts	Btu				
MET-080-040	805	400	white/colour	79 to 89	50 or 320	60 to 70	327	1116	173	590	1.25	6.5	3.5	250
MET-080-050	805	500	white/colour	79 to 89	50 or 420	60 to 70	388	1324	204	696	1.26	7.8	3.8	300
MET-080-060	805	600	white/colour	79 to 89	50 or 520	60 to 70	445	1518	233	795	1.27	9.1	4.2	300
MET-120-040	1225	400	white/colour	79 to 89	50 or 320	60 to 70	474	1617	249	850	1.26	9.8	4.8	300
MET-120-050	1225	500	white/colour	79 to 89	50 or 420	60 to 70	561	1914	295	1007	1.26	11.7	5.2	400
MET-120-060	1225	600	white/colour	79 to 89	50 or 520	60 to 70	645	2201	337	1150	1.27	13.5	5.7	400
MET-150-040	1540	400	white/colour	79 to 89	50 or 320	60 to 70	582	1986	306	1044	1.26	11.5	5.4	400
MET-150-050	1540	500	white/colour	79 to 89	50 or 420	60 to 70	690	2354	361	1232	1.27	13.5	5.9	500
MET-180-050	1750	500	white/colour	79 to 89	50 or 420	60 to 70	775	2644	407	1389	1.26	16.3	7.3	500
MET-180-060	1750	600	white/colour	79 to 89	50 or 520	60 to 70	889	3033	465	1587	1.27	19.0	8.0	600

Max. Working Pressure: 4 bar  
Max. Working Temperature: 120°C

Test House: HLK STUTTGART  
Test House No: 0626

## Zehnder Ax Spa

Stock Models														
Model code	Height mm	Width mm	Finish	Overall Projection mm	Pipe Centres mm		Outputs $\Delta T=50K$		Outputs $\Delta T=30K$		n Exponent	Weight kg	Water Content litres	Max. Immersion Rating
					radiator	from wall	Watts	Btu	Watts	Btu				
Single tube														
ZA-048-040	484	400	white/colour	97 to 112	350	70 to 85	230	785	118	403	1.31	4.5	2.2	n/a
ZA-060-080	575	800	white/colour	97 to 112	750	70 to 85	458	1563	235	802	1.31	10.2	2.1	300
ZA-060-090	575	900	white/colour	97 to 112	850	70 to 85	515	1757	264	901	1.31	11.3	2.2	300
ZA-060-100	575	1000	white/colour	97 to 112	950	70 to 85	573	1955	293	1000	1.31	12.4	2.4	300
ZA-060-120	575	1200	white/colour	97 to 112	1150	70 to 85	687	2344	352	1202	1.31	14.5	2.6	300
ZA-080-050	836	500	white/colour	97 to 112	450	70 to 85	427	1457	225	768	1.25	8.6	2.4	300
ZA-120-050	1188	500	white/colour	97 to 112	450	70 to 85	586	1999	311	1061	1.24	12.0	3.3	300
ZA-120-060	1188	600	white/colour	97 to 112	550	70 to 85	685	2337	364	1242	1.24	13.7	3.5	500
ZA-150-040	1540	400	white/colour	97 to 112	350	70 to 85	614	2095	326	1112	1.24	12.3	4.0	400
ZA-150-050	1540	500	white/colour	97 to 112	450	70 to 85	738	2518	392	1338	1.23	14.4	4.3	500
ZA-180-050	1804	500	white/colour	97 to 112	450	70 to 85	884	3016	472	1610	1.25	18.6	5.1	600
ZAC-080-050	836	500	chrome	97 to 112	450	70 to 85	300	1024	158	539	1.24	8.6	2.4	300
ZAC-120-050	1188	500	chrome	97 to 112	450	70 to 85	410	1399	218	744	1.24	12.0	3.3	300
ZAC-120-060	1188	600	chrome	97 to 112	550	70 to 85	480	1638	255	870	1.24	13.7	3.5	500
ZAC-150-040	1540	400	chrome	97 to 112	350	70 to 85	430	1467	228	778	1.24	12.3	4.0	400
ZAC-150-050	1540	500	chrome	97 to 112	450	70 to 85	520	1774	276	942	1.23	14.4	4.3	500
ZAC-180-050	1804	500	chrome	97 to 112	450	70 to 85	620	2115	331	1129	1.23	18.6	5.1	600
Double tube														
ZAD-150-050	1540	500	white/colour	97 to 112	450	70 to 85	1049	3579	548	1870	1.27	25.3	5.4	n/a
ZAD-180-050	1804	500	white/colour	97 to 112	450	70 to 85	1262	4306	653	2228	1.29	30.5	6.5	n/a
ZAD-180-060	1804	600	white/colour	97 to 112	550	70 to 85	1485	5067	772	2634	1.28	35.6	7.1	n/a

Max. Working Pressure: 4 bar  
Max. Working Temperature: 110°C

Test House: CETIAT  
Test House No: 1623

## Zehnder Roda Spa

Stock Models														
Model code	Height mm	Width mm	Finish	Overall Projection mm	Pipe Centres mm		Outputs $\Delta T=50K$		Outputs $\Delta T=30K$		n Exponent	Weight kg	Water Content litres	Max. Immersion Rating
					radiator	from wall	Watts	Btu	Watts	Btu				
RO-060-100	667	1000	white/colour	98 to 113	932	70 to 85	656	2238	343	1170	1.27	14.6	5.5	400
RO-070-050	741	500	white/colour	98 to 113	432	70 to 85	377	1286	197	672	1.27	8.2	3.7	400
RO-100-050	1037	500	white/colour	98 to 113	432	70 to 85	504	1720	265	904	1.26	12.2	5.1	400
RO-120-050	1259	500	white/colour	98 to 113	432	70 to 85	583	1989	308	1051	1.25	14.0	6.1	400
RO-150-050	1481	500	white/colour	98 to 113	432	70 to 85	691	2358	367	1252	1.24	16.5	7.3	400
RO-180-050	1851	500	white/colour	98 to 113	432	70 to 85	817	2788	438	1494	1.22	21.5	9.2	400
RO-180-060	1851	600	white/colour	98 to 113	532	70 to 85	980	3344	525	1791	1.22	23.5	10.3	400
RO-180-080	1851	800	white/colour	98 to 113	732	70 to 85	1307	4460	701	2392	1.22	31.5	12.5	400

Max. Working Pressure: 4 bar  
Max. Working Temperature: 110°C

Test House: CETIAT  
Test House No: 1623

## Zehnder Roda Spa Asym

Stock Models														
Model code	Height mm	Width mm	Finish	Overall Projection mm	Pipe Centres mm		Outputs $\Delta T=50K$		Outputs $\Delta T=30K$		n Exponent	Weight kg	Water Content litres	Immersion Rating
					radiator	from wall	Watts	Btu	Watts	Btu				
ROFL-080-055	805	550	white/colour	98 to 113	50	75 to 85	429	1464	228	778	1.23	10	4.3	300
ROFL-120-055	1183	550	white/colour	98 to 113	50	75 to 85	594	2027	314	1071	1.25	14	6.3	400
ROFL-170-055	1676	550	white/colour	98 to 113	50	75 to 85	809	2760	424	1447	1.27	20	8.8	500
ROFR-080-055	805	550	white/colour	98 to 113	50	75 to 85	429	1464	228	778	1.23	10	4.3	300
ROFR-120-055	1183	550	white/colour	98 to 113	50	75 to 85	594	2027	314	1071	1.25	14	6.3	400
ROFR-170-055	1676	550	white/colour	98 to 113	50	75 to 85	809	2760	424	1447	1.27	20	8.8	500

## Zehnder Charleston Bar

Stock Models														
Model code	Height mm	Width mm	Finish	Overall Projection mm	Pipe Centres mm		Outputs $\Delta T=50K$		Outputs $\Delta T=30K$		n Exponent	Weight kg	Water Content litres	Immersion Rating
					radiator	from wall	Watts	Btu	Watts	Btu				
2075-06	742	306	white/colour	90	306 plus valves*		59	330	1128	174	594	1.25	7.2	4.2
2090-09	900	444	white/colour	90	444 plus valves*		59	575	1961	304	1037	1.25	12.6	7.2
2120-09	1200	444	white/colour	90	444 plus valves*		59	744	2358	391	1334	1.26	17.1	9.9
2150-09	1500	444	white/colour	90	444 plus valves*		59	936	3198	487	1662	1.28	20.7	11.7
2180-09	1800	444	white/colour	90	444 plus valves*		59	1116	3807	572	1952	1.31	24.3	13.5

\*Nominal overall radiator Width = (Number of sections x 46mm) + 30mm. Manufacturing tolerance of +/- 0.6mm per section

Max. Working Pressure: 10 bar Test House: WSP-LAB  
 Max. Working Temperature: 110°C Test House No: 1428

## Zehnder Nobis

Stock Models														
Model code	Height mm	Width mm	Finish	Overall Projection mm	Pipe Centres mm		Outputs $\Delta T=50K$		Outputs $\Delta T=30K$		n Exponent	Weight kg	Water Content litres	Immersion Rating
					radiator	from wall	Watts	Btu	Watts	Btu				
NOB-100-050	965	500	chrome	97 to 109	50	76 to 88	210	717	109	372	1.28	9.0	2.0	
NOB-150-050	1520	500	chrome	97 to 109	50	76 to 88	325	1109	167	570	1.30	14.0	3.2	

Max. Working Pressure: 12 bar Test House: HLK STUTTGART  
 Max. Working Temperature: 120°C Test House No: 0626

## Zehnder Balmoral

Stock Models														
Model code	Height mm	Width mm	Finish	Overall Projection mm	Pipe Centres mm		Outputs $\Delta T=50K$		Outputs $\Delta T=30K$		n Exponent	Weight kg	Water Content litres	Immersion Rating
					radiator	from wall	Watts	Btu	Watts	Btu				

Zehnder Balmoral central heating

BALM CPHO	850	735	white/colour	250	488	100	683	2330	355	1211	1.3146	24	10	n/a
-----------	-----	-----	--------------	-----	-----	-----	-----	------	-----	------	--------	----	----	-----

Max. Working Pressure: 5 bar Test House: BSRIA  
 Max. Working Temperature: 120°C Test House No: 0480

## Zehnder Osbourne

Stock Models														
Model code	Height mm	Width mm	Finish	Overall Projection mm	Pipe Centres mm		Outputs $\Delta T=50K$		Outputs $\Delta T=30K$		n Exponent	Weight kg	Water Content litres	Immersion Rating
					radiator	from wall	Watts	Btu	Watts	Btu				

Zehnder Osbourne hot water

OSBO CPHO	850	600	chrome	140	355	100	246	839	128	437	1.2318	10.0	3.0	n/a
-----------	-----	-----	--------	-----	-----	-----	-----	-----	-----	-----	--------	------	-----	-----

Max. Working Pressure: 5 bar Test House: BSRIA  
 Max. Working Temperature: 120°C Test House No: 0480

## Zehnder Buckingham

Stock Models														
Model code	Height mm	Width mm	Finish	Overall Projection mm	Pipe Centres mm		Outputs $\Delta T=50K$		Outputs $\Delta T=30K$		n Exponent	Weight kg	Water Content litres	Immersion Rating
					radiator	from wall	Watts	Btu	Watts	Btu				
Zehnder Buckingham hot water														
<b>BUCK CPHO</b>	750	500	chrome	120	425	50	175	597	91	310	1.2303	8.0	1.9	150
Max. Working Pressure: 5 bar				Test House: BSRIA										
Max. Working Temperature: 120°C				Test House No: 0480										

## Zehnder Stellar

Stock Models														
Model code	Height mm	Width mm	Finish	Overall Projection mm	Pipe Centres mm		Outputs $\Delta T=50K$		Outputs $\Delta T=30K$		n Exponent	Weight kg	Water Content litres	Max. Immersion Rating
					radiator	from wall	Watts	Btu	Watts	Btu				
<b>STNI-060-045</b>	572	450	polished	90 to 100	420	75 to 85	159	541	84	287	1.24	3.3	2.0	100
<b>STNI-060-100</b>	572	1000	polished	90 to 100	970	75 to 85	284	970	152	519	1.22	5.8	3.6	200
<b>STNI-080-030</b>	788	300	polished	90 to 100	270	75 to 85	159	541	85	290	1.23	3.6	2.2	100
<b>STNI-080-045</b>	788	450	polished	90 to 100	420	75 to 85	206	702	109	372	1.24	4.5	2.8	150
<b>STNI-080-060</b>	788	600	polished	90 to 100	570	75 to 85	253	863	135	459	1.23	5.4	3.4	150
<b>STNI-120-030</b>	1220	300	polished	90 to 100	270	75 to 85	242	826	129	440	1.23	5.5	3.5	150
<b>STNI-120-045</b>	1220	450	polished	90 to 100	420	75 to 85	316	1078	166	567	1.26	6.9	4.3	150
<b>STNI-120-060</b>	1220	600	polished	90 to 100	570	75 to 85	391	1334	208	710	1.24	8.4	5.2	200
<b>STNI-150-045</b>	1508	450	polished	90 to 100	420	75 to 85	389	1327	206	703	1.24	8.5	5.1	300
<b>STNI-150-060</b>	1508	600	polished	90 to 100	570	75 to 85	491	1675	258	882	1.26	10.2	6.2	300
<b>STNI-170-045</b>	1724	450	polished	90 to 100	420	75 to 85	452	1542	241	822	1.23	10.0	6.1	300
<b>STNI-170-060</b>	1724	600	polished	90 to 100	570	75 to 85	545	1860	288	983	1.25	12.0	7.2	400
<b>STNI-060-045-CF</b>	572	450	painted	90 to 100	420	75 to 85	233	795	125	426	1.22	3.3	2.0	100
<b>STNI-060-100-CF</b>	572	1000	painted	90 to 100	970	75 to 85	430	1467	231	787	1.23	5.8	3.6	200
<b>STNI-080-030-CF</b>	788	300	painted	90 to 100	270	75 to 85	232	792	124	424	1.23	3.6	2.2	100
<b>STNI-080-045-CF</b>	788	450	painted	90 to 100	420	75 to 85	317	1082	170	580	1.22	4.5	2.8	150
<b>STNI-080-060-CF</b>	788	600	painted	90 to 100	570	75 to 85	395	1348	212	723	1.22	5.4	3.4	150
<b>STNI-120-030-CF</b>	1220	300	painted	90 to 100	270	75 to 85	353	1204	188	643	1.23	5.5	3.5	150
<b>STNI-120-045-CF</b>	1220	450	painted	90 to 100	420	75 to 85	482	1645	258	882	1.23	6.9	4.3	150
<b>STNI-120-060-CF</b>	1220	600	painted	90 to 100	570	75 to 85	600	2047	322	1098	1.22	8.4	5.2	200
<b>STNI-150-045-CF</b>	1508	450	painted	90 to 100	420	75 to 85	591	2016	315	1076	1.23	8.5	5.1	300
<b>STNI-150-060-CF</b>	1508	600	painted	90 to 100	570	75 to 85	736	2511	393	1340	1.23	10.2	6.2	300
<b>STNI-170-045-CF</b>	1724	450	painted	90 to 100	420	75 to 85	672	2293	359	1223	1.23	10.0	6.1	300
<b>STNI-170-060-CF</b>	1724	600	painted	90 to 100	570	75 to 85	838	2859	449	1533	1.23	12.0	7.2	400
Max. Working Pressure: 10 bar				Test House: HLK STUTTGART										
Max. Working Temperature: 120°C				Test House No: 0626										

## Zehnder Quaro Spa

Stock Models														
Model code	Height mm	Width mm	Finish	Overall Projection mm	Pipe Centres mm		Outputs $\Delta T=50K$		Outputs $\Delta T=30K$		n Exponent	Weight kg	Water Content litres	Max. Immersion Rating
					radiator	from wall	Watts	Btu	Watts	Btu				
<b>QSI-075-045</b>	803	450	Stainless steel	90-100	418	75-85	222	757	116	396	1.27	7.1	3.7	150
<b>QSI-120-045</b>	1251	450	Stainless steel	90-100	418	75-85	330	1126	173	589	1.27	9.8	5.4	200
<b>QSI-120-055</b>	1251	550	Stainless steel	90-100	518	75-85	388	1324	204	694	1.26	11.6	6.2	300
<b>QSI-150-045</b>	1507	450	Stainless steel	90-100	418	75-85	393	1341	204	697	1.28	11.3	6.4	300
<b>QSI-150-055</b>	1507	550	Stainless steel	90-100	518	75-85	464	1583	241	823	1.28	13.4	7.3	300
<b>QSI-180-055</b>	1827	550	Stainless steel	90-100	518	75-85	569	1941	297	1013	1.27	16.1	8.9	400
Max. Working Pressure: 10 bar				Test House: WSP-LAB										
Max. Working Temperature: xxx°C				Test House No: 1428										



## Zehnder Stellar Spa

Stock Models														
Model code	Height mm	Width mm	Finish	Overall Projection mm	Pipe Centres mm		Outputs $\Delta T=50K$		Outputs $\Delta T=30K$		n Exponent	Weight kg	Water Content litres	Max. Immersion Rating
					radiator	from wall	Watts	Btu	Watts	Btu				
STGI-060-045	572	450	polished	90 to 100	420	75 to 85	161	549	84	287	1.27	3.1	1.8	100
STGI-060-100	572	1000	polished	90 to 100	970	75 to 85	272	928	144	491	1.24	5.3	3.0	150
STGI-080-030	788	300	polished	90 to 100	270	75 to 85	171	583	89	304	1.28	3.4	2.0	100
STGI-080-045	788	450	polished	90 to 100	420	75 to 85	220	751	115	392	1.27	4.2	3.0	100
STGI-080-060	788	600	polished	90 to 100	570	75 to 85	243	829	128	435	1.26	5.0	3.2	150
STGI-120-030	1220	300	polished	90 to 100	270	75 to 85	240	819	125	427	1.28	5.2	3.1	150
STGI-120-045	1220	450	polished	90 to 100	420	75 to 85	309	1054	161	549	1.28	6.5	3.9	150
STGI-120-060	1220	600	polished	90 to 100	570	75 to 85	379	1293	197	672	1.28	7.7	4.6	200
STGI-150-045	1508	450	polished	90 to 100	420	75 to 85	361	1232	187	639	1.28	7.8	4.7	300
STGI-150-060	1508	600	polished	90 to 100	570	75 to 85	448	1529	233	795	1.28	9.3	5.6	300
STGI-170-045	1724	450	polished	90 to 100	420	75 to 85	434	1481	226	771	1.28	9.4	5.3	200
STGI-170-060	1724	600	polished	90 to 100	570	75 to 85	517	1764	270	921	1.27	11.2	6.5	300
STGI-060-045-CF	572	450	painted	90 to 100	420	75 to 85	219	747	117	401	1.23	3.1	1.8	100
STGI-060-100-CF	572	1000	painted	90 to 100	970	75 to 85	394	1344	211	721	1.23	5.3	3.0	150
STGI-080-030-CF	788	300	painted	90 to 100	270	75 to 85	218	744	117	399	1.23	3.4	2.0	100
STGI-080-045-CF	788	450	painted	90 to 100	420	75 to 85	294	1003	158	538	1.23	4.2	3.0	100
STGI-080-060-CF	788	600	painted	90 to 100	570	75 to 85	363	1239	194	661	1.23	5.0	3.2	150
STGI-120-030-CF	1220	300	painted	90 to 100	270	75 to 85	332	1133	177	604	1.23	5.2	3.1	150
STGI-120-045-CF	1220	450	painted	90 to 100	420	75 to 85	448	1529	239	815	1.24	6.5	3.9	150
STGI-120-060-CF	1220	600	painted	90 to 100	570	75 to 85	554	1890	294	1003	1.24	7.7	4.6	200
STGI-150-045-CF	1508	450	painted	90 to 100	420	75 to 85	556	1897	297	1012	1.24	7.8	4.7	300
STGI-150-060-CF	1508	600	painted	90 to 100	570	75 to 85	687	2344	367	1251	1.24	9.3	5.6	300
STGI-170-045-CF	1724	450	painted	90 to 100	420	75 to 85	640	2184	343	1171	1.23	9.4	5.3	200
STGI-170-060-CF	1724	600	painted	90 to 100	570	75 to 85	791	2699	422	1440	1.23	11.2	6.5	300

Max. Working Pressure: 10 bar  
Max. Working Temperature: 120°C

Test House: HLK STUTTGART  
Test House No: 0626

## Zehnder Subway Stainless Steel

Stock Models														
Model code	Height mm	Width mm	Finish	Overall Projection mm	Pipe Centres mm		Outputs $\Delta T=50K$		Outputs $\Delta T=30K$		n Exponent	Weight kg	Water Content litres	Max. Immersion Rating
					radiator	from wall	Watts	Btu	Watts	Btu				
SUBI-060-045	613	450	polished	70 to 80	50 or 418	55 to 65	221	754	116	396	1.27	5.1	2.3	150
SUBI-130-045	1261	450	polished	70 to 80	50 or 418	55 to 65	370	1262	193	659	1.27	8.7	4.5	200
SUBI-130-060	1261	600	polished	70 to 80	50 or 568	55 to 65	447	1525	235	802	1.26	10.4	5.4	300
SUBI-150-045	1549	450	polished	70 to 80	50 or 418	55 to 65	445	1518	233	795	1.27	10.4	5.4	300
SUBI-150-060	1549	600	polished	70 to 80	50 or 568	55 to 65	538	1836	283	966	1.26	12.4	7.2	300
SUBI-180-060	1837	600	polished	70 to 80	50 or 568	55 to 65	633	2160	334	1140	1.25	14.4	7.7	400

Max. Working Pressure: 10 bar  
Max. Working Temperature: 120°C

Test House: HLK STUTTGART  
Test House No: 0626

## Zehnder Cove

Stock Models														
Model code	Height mm	Width mm	Finish	Overall Projection mm	Pipe Centres mm		Outputs $\Delta T=50K$		Outputs $\Delta T=30K$		n Exponent	Weight kg	Water Content litres	Max. Immersion Rating
					radiator	from wall	Watts	Btu	Watts	Btu				
COVE-120-50	1180	500	brushed*	70 to 95	470	55 to 80	304	1037	158	539	1.28	10.3	3.6	200
COVE-120-60	1180	600	brushed*	70 to 95	570	55 to 80	351	1198	183	624	1.28	12.0	4.0	200
COVE-140-50	1360	500	brushed*	70 to 95	470	55 to 80	345	1177	178	607	1.3	11.6	4.1	200
COVE-140-60	1360	600	brushed*	70 to 95	570	55 to 80	402	1372	207	706	1.3	13.6	4.5	200

\*brushed with polished trim

Max. Working Pressure: 4 bar  
Max. Working Temperature: 90°C

Test House: WSP-LAB  
Test House No: 1428

## Zehnder Keel Asym

Stock Models														
Model code	Height mm	Width mm	Finish	Overall Projection mm	Pipe Centres mm		Outputs $\Delta T=50K$		Outputs $\Delta T=30K$		n Exponent	Weight kg	Water Content litres	Max. Immersion Rating
					radiator	from wall	Watts	Btu	Watts	Btu				
<b>KEEL-A-120-50</b>	1190	500	brushed*	65 to 100	50	35 to 70	307	1047	158	539	1.30	12.4	4.6	200
<b>KEEL-A-140-50</b>	1400	500	brushed*	65 to 100	50	35 to 70	357	1218	180	614	1.34	14.5	5.1	200
<b>KEEL-AP-120-50</b>	1190	500	polished	65 to 100	50	35 to 70	276	942	142	485	1.30	12.4	4.6	200
<b>KEEL-AP-140-50</b>	1400	500	polished	65 to 100	50	35 to 70	321	1096	162	553	1.34	14.5	5.1	200

\*Brushed with polished trim

Max. Working Pressure: 4 bar      Test House: WSP-LAB  
 Max. Working Temperature: 90°C      Test House No: 1428

## Zehnder Bay

Stock Models														
Model code	Height mm	Width mm	Finish	Overall Projection mm	Pipe Centres mm	Pipe Centres mm		Outputs $\Delta T=50K$		Outputs $\Delta T=30K$		n Exponent	Weight kg	Water Content litres
					vertical entry	radiator	from wall	Watts	Btu	Watts	Btu			
Zehnder Bay vertical (brushed steel finish)														
<b>BAY-100-053</b>	1000	530	brushed steel	70 to 95	480	530*	55-80	421	1436	209	713	1.37	15.3	13.50
<b>BAY-120-047</b>	1200	470	brushed steel	70 to 95	420	470*	55-80	458	1563	227	775	1.37	16	13.60
<b>BAY-120-053</b>	1200	530	brushed steel	70 to 95	480	530*	55-80	516	1761	256	873	1.37	18	15.3
<b>BAY-150-029</b>	1500	290	brushed steel	70 to 95	240	290*	55-80	365	1245	180	614	1.38	12.5	10.5
<b>BAY-170-029</b>	1700	290	brushed steel	70 to 95	240	290*	55-80	412	1406	203	693	1.39	14	12
<b>BAY-170-047</b>	1700	470	brushed steel	70 to 95	420	470*	55-80	659	2249	324	1105	1.39	22.4	19.2
<b>BAY-170-053</b>	1700	530	brushed steel	70 to 95	480	530*	55-80	742	2532	365	1245	1.39	25.2	21.6
<b>BAYF-170-029</b>	1700	290	brushed steel	70 to 95	240	290*	55-80	520	1774	256	873	1.39	17.2	12
<b>BAYF-170-047</b>	1700	470	brushed steel	70 to 95	420	470*	55-80	832	2839	409	1396	1.39	30.4	19.2
<b>BAYF-170-053</b>	1700	530	brushed steel	70 to 95	480	530*	55-80	936	3194	460	1570	1.39	34.2	21.6
Zehnder Bay horizontal (brushed steel finish)														
<b>BAY-100-053</b>	530	1000	brushed steel	70 to 95	930	1000*	55-80	421	1436	209	713	1.37	15.3	13.50
<b>BAY-120-047</b>	470	1200	brushed steel	70 to 95	420	470*	55-80	458	1563	227	775	1.37	16	13.60
<b>BAY-120-053</b>	530	1200	brushed steel	70 to 95	1130	1200*	55-80	516	1761	256	873	1.37	18	15.3
<b>BAY-150-029</b>	290	1500	brushed steel	70 to 95	1430	1500*	55-80	365	1245	180	614	1.38	12.5	10.5
<b>BAY-170-029</b>	290	1700	brushed steel	70 to 95	1630	1700*	55-80	412	1406	203	693	1.39	14	12
<b>BAY-170-047</b>	470	1700	brushed steel	70 to 95	1630	1700*	55-80	659	2249	324	1105	1.39	22.4	19.2
<b>BAY-170-053</b>	530	1700	brushed steel	70 to 95	1630	1700*	55-80	742	2532	365	1245	1.39	25.2	21.6

\*plus valves

Max. Working Pressure: 4 bar      Test House: WSP-LAB  
 Max. Working Temperature: 90°C      Test House No: 1428

# Zehnder Charleston

Stock Models													
Model code	Height mm	Width mm	Finish	Overall Projection mm	Pipe Centres mm		Outputs $\Delta T=50K$		Outputs $\Delta T=30K$		n Exponent	Weight kg	Water Content litres
					radiator	from wall	Watts	Btu	Watts	Btu			
Vertical													
2180-6	1800	306	white/colour	90	length plus valves*	59	744	2539	381	1300	1.31	16.4	9.0
2180-8	1800	398	white/colour	90	length plus valves*	59	992	3385	508	1733	1.31	21.9	12.0
2180-10	1800	490	white/colour	90	length plus valves*	59	1240	4231	635	2167	1.31	27.3	15.0
2180-12	1800	582	white/colour	90	length plus valves*	59	1488	5077	762	2600	1.31	32.8	18.0
3180-6	1800	306	white/colour	78	length plus valves*	59	996	3398	510	1740	1.31	24.6	14.0
3180-8	1800	398	white/colour	78	length plus valves*	59	1328	4531	680	2320	1.31	32.8	19.0
3180-10	1800	490	white/colour	78	length plus valves*	59	1660	5664	850	2900	1.31	41.0	24.0
Horizontal													
2050-10	500	490	white/colour	90	length plus valves*	59	384	1310	203	693	1.25	7.9	5.0
2050-14	500	674	white/colour	90	length plus valves*	59	538	1836	284	969	1.25	11.0	7.0
2050-18	500	858	white/colour	90	length plus valves*	59	691	2358	365	1245	1.25	14.2	9.0
2050-22	500	1042	white/colour	90	length plus valves*	59	845	2883	446	1522	1.25	17.4	11.0
2050-26	500	1226	white/colour	90	length plus valves*	59	998	3405	527	1798	1.25	20.5	13.0
2060-10	600	490	white/colour	90	length plus valves*	59	453	1546	239	815	1.25	9.5	6.0
2060-14	600	674	white/colour	90	length plus valves*	59	634	2163	335	1143	1.25	13.3	8.4
2060-18	600	858	white/colour	90	length plus valves*	59	815	2781	430	1467	1.25	17.1	10.8
2060-22	600	1042	white/colour	90	length plus valves*	59	997	3402	527	1798	1.25	20.9	13.2
2060-24	600	1134	white/colour	90	length plus valves*	59	1080	3685	570	1945	1.25	22.8	14.4
2060-28	600	1318	white/colour	90	length plus valves*	59	1260	4299	665	2269	1.25	26.6	16.8
3050-14	500	674	white/colour	128	length plus valves*	78	722	2463	381	1300	1.25	16.6	11.2
3050-18	500	858	white/colour	128	length plus valves*	78	929	3170	491	1675	1.25	21.4	14.4
3050-22	500	1042	white/colour	128	length plus valves*	78	1135	3873	599	2044	1.25	26.2	17.6
3050-26	500	1226	white/colour	128	length plus valves*	78	1342	4579	709	2419	1.25	30.9	20.8
3050-30	500	1410	white/colour	128	length plus valves*	78	1548	5282	817	2788	1.25	35.7	24.0
3060-10	600	490	white/colour	128	length plus valves*	78	609	2078	320	1092	1.26	13.9	9.0
3060-14	600	674	white/colour	128	length plus valves*	78	853	2910	448	1529	1.26	19.4	12.6
3060-18	600	858	white/colour	128	length plus valves*	78	1096	3740	576	1965	1.26	24.9	16.2
3060-20	600	950	white/colour	128	length plus valves*	78	1220	4163	641	2187	1.26	27.7	18.0
3060-24	600	1134	white/colour	128	length plus valves*	78	1464	4995	769	2624	1.26	33.2	21.6
3060-27	600	1272	white/colour	128	length plus valves*	78	1645	5613	864	2948	1.26	37.3	24.3
3060-30	600	1410	white/colour	128	length plus valves*	78	1827	6234	960	3276	1.26	41.6	27.0
3060-34	600	1594	white/colour	128	length plus valves*	78	2071	7066	1088	3712	1.26	47.0	30.6
3075-14	750	674	white/colour	128	length plus valves*	78	1040	3548	546	1863	1.26	24.3	15.4
3075-22	750	1042	white/colour	128	length plus valves*	78	1635	5579	859	2931	1.26	38.2	24.2
3075-26	750	1226	white/colour	128	length plus valves*	78	1932	6592	1015	3463	1.26	45.1	28.6
4030-20	300	950	white/colour	164	length plus valves*	96	840	2866	444	1515	1.25	21.3	14.0
4030-30	300	1410	white/colour	164	length plus valves*	96	1260	4299	665	2269	1.25	32.0	21.0
4060-14	600	674	white/colour	164	length plus valves*	96	1117	3811	584	1993	1.27	27.3	16.8
4060-18	600	858	white/colour	164	length plus valves*	96	1436	4900	751	2562	1.27	35.1	21.6
4060-20	600	950	white/colour	164	length plus valves*	96	1600	5459	836	2852	1.27	39.0	24.0
4060-24	600	1134	white/colour	164	length plus valves*	96	1920	6551	1004	3426	1.27	46.8	28.8
4075-14	750	674	white/colour	164	length plus valves*	96	1364	4654	713	2433	1.27	33.6	19.6
4075-18	750	858	white/colour	164	length plus valves*	96	1753	5981	916	3125	1.27	43.2	25.2
4075-22	750	1042	white/colour	164	length plus valves*	96	2143	7312	1120	3821	1.27	52.8	30.8
4075-26	750	1226	white/colour	164	length plus valves*	96	2532	8639	1323	4514	1.27	62.5	36.4

\*Nominal overall radiator length = (Number of sections x 46mm) + 24mm. Manufacturing tolerance of +/- 0.6mm per section

Max. Working Pressure: 10 bar      Test House: WSP-LAB  
 Max. Working Temperature: 110°C      Test House No: 2005

Zehnder Charleston

Made to Measure Options												
Model code	Height mm	Finish	Overall Projection mm	Pipe Centres mm		Outputs ΔT=50K		Outputs ΔT=30K		n Exponent	Weight kg	Water Content litres
				radiator	from wall	Watts	Btu	Watts	Btu			
2 column												
2019	177	white/colour	90	length + valves*	59	14.5	49.47	7.6	25.93	1.26	0.3	0.3
2030	292	white/colour	90	length + valves*	59	23.6	80.52	12.5	42.65	1.24	0.5	0.4
2040	392	white/colour	90	length + valves*	59	31.2	106.45	16.6	56.64	1.24	0.6	0.4
2045	442	white/colour	90	length + valves*	59	34.9	119.08	18.5	63.12	1.24	0.7	0.5
2050	492	white/colour	90	length + valves*	59	38.4	131.02	20.3	69.26	1.25	0.8	0.5
2055	542	white/colour	90	length + valves*	59	41.9	142.96	22.1	75.41	1.25	0.9	0.6
2060	592	white/colour	90	length + valves*	59	45.3	154.56	23.9	81.55	1.25	1.0	0.6
2075	742	white/colour	90	length + valves*	59	55	187.66	29	98.95	1.25	1.2	0.7
2090	892	white/colour	90	length + valves*	59	63.9	218.03	33.7	114.98	1.25	1.4	0.8
2100	992	white/colour	90	length + valves*	59	69.5	237.13	36.7	125.22	1.25	1.6	0.9
2120	1192	white/colour	90	length + valves*	59	82.7	282.17	43.5	148.42	1.26	1.9	1.1
2150	1492	white/colour	90	length + valves*	59	104	354.85	54.1	184.59	1.28	2.3	1.3
2180	1792	white/colour	90	length + valves*	59	124	423.09	63.5	216.66	1.31	2.7	1.5
2200	1992	white/colour	90	length + valves*	59	138	470.86	70.7	241.23	1.31	3.0	1.7
3 column												
3019	185	white/colour	128	length + valves*	78	20.1	68.58	10.5	35.83	1.27	0.5	0.4
3030	300	white/colour	128	length + valves*	78	32	109.18	16.9	57.66	1.25	0.7	0.6
3035	350	white/colour	128	length + valves*	78	37	126.24	19.5	66.53	1.25	0.9	0.6
3040	400	white/colour	128	length + valves*	78	41.9	142.96	22.1	75.41	1.25	1.0	0.7
3045	450	white/colour	128	length + valves*	78	46.8	159.68	24.7	84.28	1.25	1.1	0.7
3050	500	white/colour	128	length + valves*	78	51.6	176.06	27.2	92.81	1.25	1.2	0.8
3055	550	white/colour	128	length + valves*	78	56.3	192.10	29.6	101.00	1.26	1.3	0.9
3060	600	white/colour	128	length + valves*	78	60.9	207.79	32	109.18	1.26	1.4	0.9
3075	750	white/colour	128	length + valves*	78	74.3	253.51	39	133.07	1.26	1.7	1.1
3090	900	white/colour	128	length + valves*	78	87	296.84	45.5	155.25	1.27	2.1	1.3
3100	1000	white/colour	128	length + valves*	78	95.1	324.48	49.7	169.58	1.27	2.3	1.4
3120	1200	white/colour	128	length + valves*	78	115	392.38	59.5	203.01	1.29	2.8	1.6
3150	1500	white/colour	128	length + valves*	78	140	477.68	71.7	244.64	1.31	3.4	2.0
3180	1800	white/colour	128	length + valves*	78	166	566.39	84.1	286.95	1.33	4.1	2.4
3200	2000	white/colour	128	length + valves*	78	183	624.40	92.8	316.63	1.33	4.5	2.6
4 column												
4019	200	white/colour	164	length + valves*	96	28.4	96.90	14.9	50.84	1.26	0.8	0.6
4030	300	white/colour	164	length + valves*	96	41.9	142.96	22.1	75.41	1.25	1.0	0.7
4035	350	white/colour	164	length + valves*	96	48.5	165.48	25.6	87.35	1.25	1.2	0.8
4040	400	white/colour	164	length + valves*	96	54.9	187.32	28.8	98.27	1.26	1.4	0.9
4045	450	white/colour	164	length + valves*	96	61.3	209.16	32.2	109.87	1.26	1.5	1.0
4050	500	white/colour	164	length + valves*	96	67.6	230.65	35.5	121.13	1.26	1.7	1.0
4055	550	white/colour	164	length + valves*	96	73.7	251.46	38.7	132.04	1.26	1.9	1.1
4060	600	white/colour	164	length + valves*	96	79.8	272.28	41.7	142.28	1.27	2.0	1.2
4075	750	white/colour	164	length + valves*	96	97.4	332.33	50.9	173.67	1.27	2.5	1.4
4090	900	white/colour	164	length + valves*	96	114	388.97	59.3	202.33	1.28	2.9	1.7
4100	1000	white/colour	164	length + valves*	96	125	426.50	64.7	220.76	1.29	3.2	1.8
4120	1200	white/colour	164	length + valves*	96	147	501.56	75.7	258.29	1.30	3.7	2.1
4150	1500	white/colour	164	length + valves*	96	180	614.16	92.2	314.59	1.31	4.4	2.6
4180	1800	white/colour	164	length + valves*	96	213	726.76	108	368.50	1.33	5.2	3.1
4200	2000	white/colour	164	length + valves*	96	234	798.41	119.2	406.71	1.32	5.8	3.4
5 column												
5019	200	white/colour	202	length + valves*	115	35	119.42	18.5	63.12	1.25	0.9	0.7
5030	300	white/colour	202	length + valves*	115	51.7	176.40	27.3	93.15	1.25	1.3	0.9
5040	400	white/colour	202	length + valves*	115	67.9	231.67	35.7	121.81	1.26	1.7	1.1
5045	450	white/colour	202	length + valves*	115	75.8	258.63	39.8	135.80	1.26	1.9	1.2
5050	500	white/colour	202	length + valves*	115	83.5	284.90	43.6	148.76	1.27	2.1	1.3
5055	550	white/colour	202	length + valves*	115	91.1	310.83	47.6	162.41	1.27	2.3	1.4
5060	600	white/colour	202	length + valves*	115	98.6	336.42	51.5	175.72	1.27	2.5	1.5
5075	750	white/colour	202	length + valves*	115	120	409.44	62.1	211.89	1.29	3.1	1.8
5090	900	white/colour	202	length + valves*	115	141	481.09	72.6	247.71	1.30	3.6	2.1
5100	1000	white/colour	202	length + valves*	115	154	525.45	79.3	270.57	1.30	3.9	2.3
5120	1200	white/colour	202	length + valves*	115	179	610.75	91.7	312.88	1.31	4.6	2.7
5150	1500	white/colour	202	length + valves*	115	219	747.23	111.6	380.78	1.32	5.6	3.3
6 column												
6019	200	white/colour	238	length + valves*	115	41.5	141.60	21.7	74.04	1.27	1.1	0.8
6030	300	white/colour	238	length + valves*	115	61.3	209.16	32.2	109.87	1.26	1.6	1.1
6035	350	white/colour	238	length + valves*	115	71	242.25	37.3	127.27	1.26	1.8	1.2
6040	400	white/colour	238	length + valves*	115	80.5	274.67	42.1	143.65	1.27	2.0	1.3
6045	450	white/colour	238	length + valves*	115	89.8	306.40	46.9	160.02	1.27	2.2	1.4
6050	500	white/colour	238	length + valves*	115	99	337.79	51.5	175.72	1.28	2.4	1.5
6055	550	white/colour	238	length + valves*	115	108	368.50	56.2	191.75	1.28	2.7	1.6
6060	600	white/colour	238	length + valves*	115	117	399.20	60.5	206.43	1.29	2.9	1.8
6075	750	white/colour	238	length + valves*	115	143	487.92	73.6	251.12	1.30	3.5	2.1
6090	900	white/colour	238	length + valves*	115	167	569.80	85.5	291.73	1.31	4.2	2.5
6100	1000	white/colour	238	length + valves*	115	183	624.40	93.7	319.70	1.31	4.6	2.7
6120	1200	white/colour	238	length + valves*	115	210	716.52	107	365.08	1.32	5.5	3.2
6150	1500	white/colour	238	length + valves*	115	256	873.47	130.4	444.92	1.32	6.8	4.0

\*Nominal overall radiator length = (Number of sections x 46mm) + 24mm. Manufacturing tolerance of +/- 0.6mm per section

Vertical entry = overall length minus 72mm

Max. Working Pressure: 4 bar Test House: WSP-LAB

Max. Working Temperature: 110°C Test House No: 1428

## Zehnder Charleston Mirror

Stock Models													
Model code	Height mm	Width mm	Finish	Overall Projection mm	Pipe Centres mm		Outputs $\Delta T=50K$		Outputs $\Delta T=30K$		n Exponent	Weight kg	Water Content litres
					radiator	from wall	Watts	Btu	Watts	Btu			
CM2180-12	1792	552	white	126	50	74	1401	4780	762	2600	1.31	33.6	18
CM2180-16	1792	736	white	126	50	74	1792	6114	1016	3467	1.31	44.8	24

\*Nominal overall radiator length = (Number of sections x 46mm) + 30mm. Manufacturing tolerance of +/- 0.6mm per section

Max. Working Pressure: 10 bar      Test House: WSP-LAB  
 Max. Working Temperature: 110°C      Test House No: 1428

## Zehnder Charleston Relax

Stock Models													
Model code	Height mm	Width mm	Finish	Overall Projection mm	Pipe Centres mm		Outputs $\Delta T=50K$		Outputs $\Delta T=30K$		n Exponent	Weight kg	Water Content litres
					radiator	from wall	Watts	Btu	Watts	Btu			
CR5026-13	455	800	white	320	50	195	543	1852	287	979	1.25	18.6	10.4
CR5026-18	455	1000	white	320	50	195	747	2549	395	1348	1.25	25.1	14.4

Max. Working Pressure: 10 bar      Test House: WSP-LAB  
 Max. Working Temperature: 110°C      Test House No: 1428

## Zehnder Metropolitan

Stock Models													
Model code	Height mm	Width mm	Finish	Overall Projection mm	Pipe Centres mm		Outputs $\Delta T=50K$		Outputs $\Delta T=30K$		n Exponent	Weight kg	Water Content litres
					radiator	from wall	Watts	Btu	Watts	Btu			
Zehnder Metropolitan horizontal													
MEH-030-140	280	1400	white/colour	79 to 89	50 or 1320	60 to 70	376	1283	198	676	1.26	8.31	4.50
MEH-040-140	385	1400	white/colour	79 to 89	50 or 1320	60 to 70	474	1617	243	829	1.31	10.30	5.29
MEH-040-160	385	1600	white/colour	79 to 89	50 or 1520	60 to 70	542	1849	278	949	1.31	11.70	5.96
MEH-050-140	490	1400	white/colour	79 to 89	50 or 1320	60 to 70	585	1996	300	1024	1.31	12.80	5.99
MEH-050-160	490	1600	white/colour	79 to 89	50 or 1520	60 to 70	669	2283	343	1170	1.31	14.60	6.73
MEH-050-180	490	1800	white/colour	79 to 89	50 or 1720	60 to 70	753	2569	386	1317	1.31	16.30	7.47
MEH-060-090	595	900	white/colour	79 to 89	50 or 820	60 to 70	447	1525	230	785	1.30	10.10	4.67
MEH-060-140	595	1400	white/colour	79 to 89	50 or 1320	60 to 70	695	2371	358	1221	1.30	15.30	6.69
MEH-060-160	595	1600	white/colour	79 to 89	50 or 1520	60 to 70	794	2709	409	1396	1.30	17.40	7.49
MEH-060-180	595	1800	white/colour	79 to 89	50 or 1720	60 to 70	894	3050	460	1570	1.30	19.50	8.30
MEH-060-200	595	2000	white/colour	79 to 89	50 or 1920	60 to 70	993	3388	511	1744	1.30	21.60	9.10
MEH-080-050	805	500	white/colour	79 to 89	50 or 420	60 to 70	387	1320	200	682	1.29	8.20	3.96
MEH-080-060	805	600	white/colour	79 to 89	50 or 520	60 to 70	449	1532	232	792	1.29	9.70	4.41
MEH-120-040	1225	400	white/colour	79 to 89	50 or 320	60 to 70	469	1600	244	833	1.28	10.30	4.90
MEH-120-050	1225	500	white/colour	79 to 89	50 or 420	60 to 70	563	1921	293	1000	1.28	12.40	5.50
MEH-120-060	1225	600	white/colour	79 to 89	50 or 520	60 to 70	653	2228	340	1160	1.28	14.50	6.10
MEH-150-040	1540	400	white/colour	79 to 89	50 or 320	60 to 70	582	1986	312	1065	1.22	12.00	5.51
MEH-150-050	1540	500	white/colour	79 to 89	50 or 420	60 to 70	730	2491	389	1327	1.23	14.40	6.25
MEH-150-060	1540	600	white/colour	79 to 89	50 or 520	60 to 70	871	2972	465	1587	1.23	16.80	6.98
MEH-180-040	1750	400	white/colour	79 to 89	50 or 320	60 to 70	663	2262	343	1170	1.29	14.40	6.73
MEH-180-050	1750	500	white/colour	79 to 89	50 or 420	60 to 70	795	2713	411	1402	1.29	17.40	7.63
Zehnder Metropolitan vertical													
MEV-180-030	1800	280	white/colour	79 to 89	50 or 200	60 to 70	206	703	108	368	1.27	11.30	5.8
MEV-180-040	1800	385	white/colour	79 to 89	50 or 305	60 to 70	412	1406	215	734	1.27	14.60	6.64
MEV-180-050	1800	490	white/colour	79 to 89	50 or 410	60 to 70	618	2109	323	1102	1.27	17.90	7.47
MEV-180-060	1800	595	white/colour	79 to 89	50 or 515	60 to 70	934	3187	478	1632	1.26	21.3	8.3
MEV-200-040	2000	385	white/colour	79 to 89	50 or 305	60 to 70	455	1552	239	815	1.26	16.10	7.31
MEV-200-050	2000	490	white/colour	79 to 89	50 or 410	60 to 70	682	2327	358	1221	1.26	19.80	8.21
MEV-200-060	2000	595	white/colour	79 to 89	50 or 515	60 to 70	910	3105	478	1631	1.26	23.50	9.1

Max. Working Pressure: 4 bar      Test House: HLK STUTTGART  
 Max. Working Temperature: 120°C      Test House No: 0626

## Zehnder Roda

Stock Models													
Model code	Height mm	Width mm	Finish	Overall Projection mm	Pipe Centres mm		Outputs $\Delta T=50K$		Outputs $\Delta T=30K$		n Exponent	Weight kg	Water Content litres
					radiator	from wall	Watts	Btu	Watts	Btu			
Zehnder Roda vertical single panel													
ROV-180-029	1800	296	white/colour	70	247	42	568	1940	291	993	1.31	12	4.6
ROV-180-037	1800	370	white/colour	70	321	42	710	2425	364	1242	1.31	15	5.75
ROV-180-044	1800	444	white/colour	70	395	42	852	2910	436	1488	1.31	18	6.9
ROV-180-051	1800	518	white/colour	70	469	42	994	3395	509	1737	1.31	21	8.05
ROV-180-059	1800	592	white/colour	70	543	42	1136	3880	582	1986	1.31	24	9.2
ROV-180-066	1800	666	white/colour	70	617	42	1278	4365	654	2231	1.31	27	10.35
Zehnder Roda vertical double panel													
ROVD-180-029	1800	296	white/colour	93	247	66	824	2812	420	1433	1.32	22.4	8.6
ROVD-180-037	1800	370	white/colour	93	321	66	1030	3515	525	1791	1.32	28	10.75
ROVD-180-044	1800	444	white/colour	93	395	66	1236	4218	630	2150	1.32	33.6	12.9
ROVD-180-051	1800	518	white/colour	93	469	66	1442	4921	735	2508	1.32	39.2	15.05
ROVD-180-059	1800	592	white/colour	93	543	66	1648	5624	840	2866	1.32	44.8	17.2
ROVD-180-066	1800	666	white/colour	93	617	66	1854	6327	945	3224	1.32	50.4	19.35
Zehnder Roda horizontal single panel													
ROH-044-140	444	1400	white/colour	70	1332	42	708	2416	368	1256	1.28	16.4	5.88
ROH-051-100	518	1000	white/colour	70	932	42	586	1999	305	1041	1.28	13.4	4.9
ROH-051-120	518	1200	white/colour	70	1132	42	703	2399	366	1249	1.28	16.1	5.88
ROH-059-100	592	1000	white/colour	70	932	42	665	2269	346	1181	1.28	14.1	5.6
ROH-059-120	592	1200	white/colour	70	1132	42	798	2723	415	1416	1.28	18.1	6.72
ROH-059-140	592	1400	white/colour	70	1332	42	931	3177	484	1651	1.28	19.7	7.84
Zehnder Roda horizontal single panel with single convector fin													
ROHL-059-060	592	600	white/colour	92	532	62	636	2170	334	1140	1.26	13.2	3.36
ROHL-059-080	592	800	white/colour	92	732	62	848	2894	446	1522	1.26	17.6	4.48
ROHL-059-100	592	1000	white/colour	92	932	62	1060	3617	557	1900	1.26	22	5.6
ROHL-059-120	592	1200	white/colour	92	1132	62	1272	4340	668	2279	1.26	26.4	6.72
Zehnder Roda horizontal double panel													
ROHD-059-060	592	600	white/colour	93	532	66	641	2187	337	1150	1.26	16.5	6.04
ROHD-059-080	592	800	white/colour	93	732	66	855	2916	449	1532	1.26	22	8.05
ROHD-059-100	592	1000	white/colour	93	932	66	1069	3645	562	1918	1.26	27.4	10.06
ROHD-059-120	592	1200	white/colour	93	1132	66	1283	4374	674	2300	1.26	32.9	12.07
Max. Working Pressure: 4 bar				Test House: CETIAT									
Max. Working Temperature: 110°C				Test House No: 1623									

## Zehnder Roda

Made to Measure Options													
Model code	Height mm	Finish	Overall Projection mm	Pipe Centres mm		Outputs $\Delta T=50K$		Outputs $\Delta T=30K$		n Exponent	Weight kg	Water Content litres	
				radiator	from wall	Watts	Btu	Watts	Btu				
Zehnder Roda ROV single, data per vertical tube													
ROV 060	600	white/colour	70	42	length minus 49	52	177	26	89	1.30	1.3	0.5	
ROV 080	800	white/colour	70	42	length minus 49	68	232	34	116	1.55	1.6	0.6	
ROV 100	1000	white/colour	70	42	length minus 49	83	283	42	143	1.32	1.9	0.7	
ROV 120	1200	white/colour	70	42	length minus 49	98	334	50	171	1.32	2.1	0.8	
ROV 140	1400	white/colour	70	42	length minus 49	113	386	58	198	1.31	2.4	0.9	
ROV 160	1600	white/colour	70	42	length minus 49	127	433	65	222	1.31	2.7	1.0	
ROV 180	1800	white/colour	70	42	length minus 49	142	485	73	249	1.31	3.0	1.2	
ROV 200	2000	white/colour	70	42	length minus 49	155	529	80	273	1.31	3.3	1.3	
ROV 220	2200	white/colour	70	42	length minus 49	169	577	87	297	1.31	3.6	1.4	
Zehnder Roda ROVD double, data per vertical tube													
ROVD 060	600	white/colour	93	66	length minus 49	77	263	39	133	1.33	2.1	0.8	
ROVD 080	800	white/colour	93	66	length minus 49	100	341	51	174	1.33	2.7	1.0	
ROVD 100	1000	white/colour	93	66	length minus 49	122	416	62	212	1.33	3.3	1.3	
ROVD 120	1200	white/colour	93	66	length minus 49	144	491	73	249	1.33	3.9	1.5	
ROVD 140	1400	white/colour	93	66	length minus 49	165	563	84	287	1.33	4.4	1.7	
ROVD 160	1600	white/colour	93	66	length minus 49	186	635	95	324	1.32	5.0	1.9	
ROVD 180	1800	white/colour	93	66	length minus 49	206	703	105	358	1.32	5.6	2.2	
ROVD 200	2000	white/colour	93	66	length minus 49	225	768	115	392	1.32	6.2	2.4	
ROVD 220	2200	white/colour	93	66	length minus 49	244	833	124	423	1.32	6.7	2.6	
To calculate the number of tubes required, allow 74mm per tube													
Max. Working Pressure: 4 bar				Test House: CETIAT									
Max. Working Temperature: 110°C				Test House No: 1623									

## Zehnder Roda

Made to Measure Options													
Model code	Height mm	Finish	Overall Projection mm	Pipe Centres mm		Outputs $\Delta T=50K$		Outputs $\Delta T=30K$		n Exponent	Weight kg	Water Content litres	
				radiator	from wall	Watts	Btu	Watts	Btu				
Zehnder Roda ROH single, data per linear metre													
<b>ROH 4 tubes</b>	296	white/colour	70	42	length minus 68		344	1174	179	611	1.28	7.2	2,80
<b>ROH 5 tubes</b>	370	white/colour	70	42	length minus 68		425	1450	221	754	1.28	9.0	3,50
<b>ROH 6 tubes</b>	444	white/colour	70	42	length minus 68		506	1726	264	901	1.28	10.7	4,20
<b>ROH 7 tubes</b>	518	white/colour	70	42	length minus 68		586	1999	305	1041	1.28	12.4	4,90
<b>ROH 8 tubes</b>	592	white/colour	70	42	length minus 68		665	2269	347	1184	1.28	14.1	5,60
Zehnder Roda ROHL single with convector fins, data per linear metre													
<b>ROHL 2 tubes</b>	148	white/colour	92	62	length minus 68		350	1194	195	665	1.15	7.0	1,40
<b>ROHL 3 tubes</b>	222	white/colour	92	62	length minus 68		511	1744	268	914	1.26	10.7	2,10
<b>ROHL 4 tubes</b>	296	white/colour	92	62	length minus 68		637	2173	334	1140	1.27	14.3	2,80
<b>ROHL 5 tubes</b>	370	white/colour	92	62	length minus 68		719	2453	374	1276	1.28	16.1	3,50
<b>ROHL 6 tubes</b>	444	white/colour	92	62	length minus 68		845	2883	448	1529	1,24	18.7	4,20
<b>ROHL 7 tubes</b>	518	white/colour	92	62	length minus 68		927	3163	492	1679	1,24	19.5	4,90
<b>ROHL 8 tubes</b>	592	white/colour	92	62	length minus 68		1060	3617	558	1904	1.26	23.6	5,60
Max. Working Pressure: 4 bar			Test House: CETIAT										
Max. Working Temperature: 110°C			Test House No: 1623										

## Zehnder Roda Mirror

Stock Models													
Model code	Height mm	Width mm	Finish	Overall Projection mm	Pipe Centres mm		Outputs $\Delta T=50K$		Outputs $\Delta T=30K$		n Exponent	Weight kg	Water Content litres
					radiator	from wall	Watts	Btu	Watts	Btu			
<b>ROM-180-067</b>	1800	666	white/colour	70	617	42	680	2320	348	1187	1.31	24.6	6.3
<b>ROM-180-081</b>	1800	814	white/colour	70	765	42	952	3248	488	1665	1.31	31.0	8.6
<b>ROMD-180-067</b>	1800	666	white/colour	93	617	66	1355	4623	690	2354	1.32	51.6	15.4
<b>ROMD-180-081</b>	1800	814	white/colour	93	765	66	1527	5210	778	2655	1.32	64.0	19.7
Max. Working Pressure: 4 bar			Test House: CETIAT										
Max. Working Temperature: 110°C			Test House No: 1623										

## Zehnder Ax

Stock Models													
Model code	Height mm	Width mm	Finish	Overall Projection mm	Pipe Centres mm		Outputs $\Delta T=50K$		Outputs $\Delta T=30K$		n Exponent	Weight kg	Water Content litres
					radiator	from wall	Watts	Btu	Watts	Btu			
Zehnder Ax vertical single panel													
<b>ZAV-180-035</b>	1800	352	white/colour	76	303	49	704	2196	361	1230	1.31	12.9	2.08
<b>ZAV-180-044</b>	1800	440	white/colour	76	391	49	880	3003	451	1538	1.31	16.1	2.60
<b>ZAV-180-053</b>	1800	528	white/colour	76	479	49	1056	4468	541	1845	1.31	19.3	3.12
<b>ZAV-180-061</b>	1800	616	white/colour	76	567	49	1232	4204	631	2153	1.31	22.5	3.64
Zehnder Ax horizontal double panel													
<b>ZAHD-061-080</b>	616	800	white/colour	87	750	61	884	3016	455	1552	1.3	20.2	3.35
<b>ZAHD-061-100</b>	616	1000	white/colour	87	950	61	1105	3770	569	1941	1.3	24.8	4.19
<b>ZAHD-061-120</b>	616	1200	white/colour	87	1150	61	1326	4524	683	2330	1.3	29.4	5.03
<b>ZAHD-061-140</b>	616	1400	white/colour	87	1350	61	1547	5278	796	2716	1.3	35.4	5.87
Max. Working Pressure: 4 bar			Test House: CETIAT										
Max. Working Temperature: 110°C			Test House No: 1623										

Zehnder Ax

Made to Measure Options												
Model code	Height mm	Finish	Overall Projection mm	Pipe Centres mm		Outputs $\Delta T=50K$		Outputs $\Delta T=30K$		n Exponent	Weight kg	Water Content litres
				radiator	from wall	Watts	Btu	Watts	Btu			
Zehnder Ax ZA single, data per vertical tube												
<b>ZA-060</b>	600	white/colour	49	76	length minus 49mm	33.0	112.6	17.0	58.0	1.28	0.6	0.14
<b>ZA-080</b>	800	white/colour	49	76	length minus 49mm	42.0	143.3	22.0	75.1	1.29	0.8	0.16
<b>ZA-100</b>	1000	white/colour	49	76	length minus 49mm	51.0	174.0	27.0	92.1	1.29	1.0	0.96
<b>ZA-120</b>	1200	white/colour	49	76	length minus 49mm	60.0	204.7	31.0	105.8	1.30	1.1	1.12
<b>ZA-140</b>	1400	white/colour	49	76	length minus 49mm	70.0	238.8	36.0	122.8	1.30	1.3	1.29
<b>ZA-160</b>	1600	white/colour	49	76	length minus 49mm	79.0	269.5	40.0	136.5	1.31	1.5	1.45
<b>ZA-180</b>	1800	white/colour	49	76	length minus 49mm	88.0	300.3	45.0	153.5	1.31	1.2	1.61
<b>ZA-200</b>	2000	white/colour	49	76	length minus 49mm	98.0	334.4	50.0	170.6	1.32	1.8	1.78
<b>ZA-220</b>	2200	white/colour	49	76	length minus 49mm	107.0	365.1	55.0	187.7	1.32	2.0	1.94
Zehnder Ax ZAD double, data per vertical tube												
<b>ZAD-060</b>	600	white/colour	61	87	length minus 49mm	51.0	174.0	26.0	88.7	1.30	1.1	1.12
<b>ZAD-080</b>	800	white/colour	61	87	length minus 49mm	66.0	225.2	34.0	116.0	1.30	1.5	1.45
<b>ZAD-100</b>	1000	white/colour	61	87	length minus 49mm	80.0	273.0	41.0	139.9	1.30	1.8	1.78
<b>ZAD-120</b>	1200	white/colour	61	87	length minus 49mm	94.0	320.7	48.0	163.8	1.31	2.1	2.11
<b>ZAD-140</b>	1400	white/colour	61	87	length minus 49mm	108.0	368.5	55.0	187.7	1.31	2.4	2.43
<b>ZAD-160</b>	1600	white/colour	61	87	length minus 49mm	122.0	416.3	62.0	211.5	1.31	2.8	2.76
<b>ZAD-180</b>	1800	white/colour	61	87	length minus 49mm	136.0	464.0	70.0	238.8	1.31	3.1	3.09
<b>ZAD-200</b>	2000	white/colour	61	87	length minus 49mm	150.0	511.8	77.0	262.7	1.32	3.4	3.42
<b>ZAD-220</b>	2200	white/colour	61	87	length minus 49mm	164.0	559.6	84.0	286.6	1.317	3.8	3.75
To calculate the number of tubes required, allow 44mm per tube												
Max. Working Pressure: 4 bar			Test House: CETIAT									
Max. Working Temperature: 110°C			Test House No: 1623									

Made to Measure Options												
Model code	Height mm	Finish	Overall Projection mm	Pipe Centres mm		Outputs $\Delta T=50K$		Outputs $\Delta T=30K$		n Exponent	Weight kg	Water Content litres
				radiator	from wall	Watts	Btu	Watts	Btu			
Zehnder Ax ZAH single, data per linear metre												
<b>ZAH 6</b>	264	white/colour	49	76	length minus 50mm	308	1051	157	536	1.32	6.10	1.22
<b>ZAH 8</b>	352	white/colour	49	76	length minus 50mm	414	1413	211	720	1.32	8.00	1.62
<b>ZAH 10</b>	440	white/colour	49	76	length minus 50mm	520	1774	266	908	1.31	10.00	2.03
<b>ZAH 12</b>	528	white/colour	49	76	length minus 50mm	625	2133	320	1092	1.31	11.90	2.44
<b>ZAH 14</b>	616	white/colour	49	76	length minus 50mm	730	2491	374	1276	1.31	13.80	2.84
Zehnder Ax ZAH double, data per linear metre												
<b>ZAHD 6</b>	264	white/colour	61	87	length minus 50mm	529	1805	273	931	1.30	11.00	1.79
<b>ZAHD 8</b>	352	white/colour	61	87	length minus 50mm	680	2320	350	1194	1.30	14.60	2.39
<b>ZAHD 10</b>	440	white/colour	61	87	length minus 50mm	825	2815	425	1450	1.30	18.10	2.99
<b>ZAHD 12</b>	528	white/colour	61	87	length minus 50mm	966	3296	498	1699	1.30	21.70	3.59
<b>ZAHD 14</b>	616	white/colour	61	87	length minus 50mm	1105	3770	570	1945	1.30	25.30	4.19
Max. Working Pressure: 4 bar			Test House: CETIAT									
Max. Working Temperature: 110°C			Test House No: 1623									



## Zehnder Kleo

Stock Models													
Model code	Height mm	Width mm	Finish	Overall Projection mm	Pipe Centres mm		Outputs $\Delta T=50K$		Outputs $\Delta T=30K$		n Exponent	Weight kg	Water Content litres
					radiator	from wall	Watts	Btu	Watts	Btu			
Vertical													
<b>KLV-180-009</b>	1800	299	white/colour	74	248	38	632	2156	329	1123	1.28	10.8	4.5
<b>KLV-180-012</b>	1800	398	white/colour	74	347	38	842	2874	438	1494	1.28	14.4	6.1
<b>KLV-180-015</b>	1800	497	white/colour	74	446	38	1053	3593	548	1870	1.28	18.0	7.5
<b>KLV-180-018</b>	1800	596	white/colour	74	545	38	1264	4313	647	2209	1.28	21.6	9.0
<b>KLVC-180-009</b>	1800	299	chrome	74	248	38	448	1529	225	768	1.35	10.8	4.5
<b>KLVC-180-012</b>	1800	398	chrome	74	347	38	598	2040	300	1024	1.35	14.4	6.1
<b>KLVC-180-015</b>	1800	497	chrome	74	446	38	747	2549	375	1280	1.35	18.0	7.5
<b>KLVC-180-018</b>	1800	596	chrome	74	545	38	896	3057	450	1535	1.35	21.6	9.0
Horizontal													
<b>KLH-058-100</b>	596	1000	white/colour	74	962	38	782	2668	413	1409	1.25	12.7	5.5
<b>KLH-058-120</b>	596	1200	white/colour	74	1162	38	938	3201	495	1689	1.25	14.9	6.6
<b>KLH-058-140</b>	596	1400	white/colour	74	1362	38	1095	3736	578	1972	1.25	17.1	7.7
<b>KLHD-058-100</b>	596	1000	white/colour	106	962	38	1211	4134	636	2170	1.26	22.6	12.5
<b>KLHD-058-120</b>	596	1200	white/colour	106	1162	38	1453	4961	763	2603	1.26	27.1	15.0
<b>KLHD-058-140</b>	596	1400	white/colour	106	1362	38	1695	5787	891	3040	1.26	31.6	17.5
Max. Working Pressure: 4 bar				Test House: CETIAT									
Max. Working Temperature: 110°C				Test House No: 1623									

## Zehnder Kleo

Made to Measure Options													
Model code	Height mm	Finish	Overall Projection mm	Pipe Centres mm		Outputs $\Delta T=50K$		Outputs $\Delta T=30K$		n Exponent	Weight kg	Water Content litres	
				radiator	from wall	Watts	Btu	Watts	Btu				
Zehnder Kleo KLV single, data per vertical tube													
<b>KLV 060</b>	600	white/colour	74	49	length minus 38	26.0	88.7	14.0	47.8	1.27	0.5	0.2	
<b>KLV 080</b>	800	white/colour	74	49	length minus 38	34.0	116.0	18.0	61.4	1.27	0.6	0.3	
<b>KLV 100</b>	1000	white/colour	74	49	length minus 38	41.0	139.9	21.0	71.7	1.27	0.7	0.3	
<b>KLV 120</b>	1200	white/colour	74	49	length minus 38	49.0	167.2	25.0	85.3	1.27	0.8	0.4	
<b>KLV 140</b>	1400	white/colour	74	49	length minus 38	56.0	191.1	29.0	98.9	1.28	0.9	0.4	
<b>KLV 160</b>	1600	white/colour	74	49	length minus 38	63.0	215.0	33.0	112.6	1.28	1.0	0.5	
<b>KLV 180</b>	1800	white/colour	74	49	length minus 38	70.0	238.8	37.0	126.2	1.28	1.2	0.5	
<b>KLV 200</b>	2000	white/colour	74	49	length minus 38	78.0	266.1	40.0	136.5	1.28	1.3	0.5	
<b>KLV 220</b>	2200	white/colour	74	49	length minus 38	85.0	290.0	44.0	150.1	1.28	1.4	0.6	
To calculate the number of tubes required, allow 44mm per tube													
Max. Working Pressure: 4 bar				Test House: CETIAT									
Max. Working Temperature: 110°C				Test House No: 1623									

Made to Measure Options													
Model code	Height mm	Finish	Overall Projection mm	Pipe Centres mm		Outputs $\Delta T=50K$		Outputs $\Delta T=30K$		n Exponent	Weight kg	Water Content litres	
				radiator	from wall	Watts	Btu	Watts	Btu				
Zehnder Kleo KLH single, data per linear metre													
<b>KLH 12 tubes</b>	398	white/colour	74	49	length minus 38	515	1757	278	949	1.21	8.5	3.7	
<b>KLH 14 tubes</b>	464	white/colour	74	49	length minus 38	611	2085	322	1099	1.26	9.9	4.3	
<b>KLH 16 tubes</b>	530	white/colour	74	49	length minus 38	697	2378	367	1252	1.26	11.3	4.9	
<b>KLH 18 tubes</b>	596	white/colour	74	49	length minus 38	782	2668	412	1406	1.25	12.7	5.5	
<b>KLH 20 tubes</b>	662	white/colour	74	49	length minus 38	867	2958	457	1559	1.25	14.1	6.1	
<b>KLH 22 tubes</b>	728	white/colour	74	49	length minus 38	951	3245	502	1713	1.25	15.5	6.7	
<b>KLH 24 tubes</b>	794	white/colour	74	49	length minus 38	1034	3528	545	1860	1.25	16.9	7.3	
<b>KLH 26 tubes</b>	860	white/colour	74	49	length minus 38	1117	3811	590	2013	1.25	18.3	7.9	
<b>KLH 28 tubes</b>	926	white/colour	74	49	length minus 38	1200	4094	634	2163	1.25	19.7	8.5	
<b>KLH 30 tubes</b>	992	white/colour	74	49	length minus 38	1282	4374	677	2310	1.25	21.1	9.1	
<b>KLH 32 tubes</b>	1058	white/colour	74	49	length minus 38	1364	4654	721	2460	1.25	22.5	9.8	
<b>KLH 34 tubes</b>	1124	white/colour	74	49	length minus 38	1445	4930	764	2607	1.25	23.9	10.4	
<b>KLH 36 tubes</b>	1190	white/colour	74	49	length minus 38	1526	5207	807	2753	1.247	25.3	11.0	
Max. Working Pressure: 4 bar				Test House: CETIAT									
Max. Working Temperature: 110°C				Test House No: 1623									

## Zehnder Stratos

Stock Models													
Model code	Height mm	Width mm	Finish	Overall Projection mm	Pipe Centres mm		Outputs ΔT=50K		Outputs ΔT=30K		n Exponent	Weight kg	Water Content litres
					radiator	from wall	Watts	Btu	Watts	Btu			
With factory-fitted grille, standard white (RAL 9010)													
CSG-15-10-1000	153	1000	white/colour	98	1000*	79	755	2578	379	1293	1.35	12.3	3.0
CSG-15-10-1200	153	1200	white/colour	98	1200*	79	906	3092	455	1551	1.35	14.8	3.6
CSG-15-10-1400	153	1400	white/colour	98	1400*	79	1057	3607	530	1810	1.35	17.2	4.2
CSG-15-10-1500	153	1500	white/colour	98	1500*	79	1134	3868	569	1941	1.35	18.5	4.5
CSG-15-10-1600	153	1600	white/colour	98	1600*	79	1209	4125	607	2070	1.35	19.7	4.8
CSG-15-10-2000	153	2000	white/colour	98	2000*	79	1511	5155	758	2587	1.35	24.6	6.0
CSG-15-19-1000	153	1000	white/colour	186	1000*	167 flow, 79 return	1331	4542	671	2290	1.34	21.3	4.8
CSG-15-19-1200	153	1200	white/colour	186	1200*	167 flow, 79 return	1598	5451	806	2750	1.34	25.6	5.8
CSG-15-19-1400	153	1400	white/colour	186	1400*	167 flow, 79 return	1864	6360	940	3208	1.34	29.8	6.7
CSG-15-19-1500	153	1500	white/colour	186	1500*	167 flow, 79 return	1997	6813	1007	3436	1.34	32.0	7.2
CSG-15-19-1600	153	1600	white/colour	186	1600*	167 flow, 79 return	2130	7266	1074	3665	1.34	34.1	7.7
CSG-15-19-2000	153	2000	white/colour	186	2000*	167 flow, 79 return	2663	9085	1343	4583	1.34	42.6	9.6

\*plus valves  
 Max. Working Pressure: 4.5 bar      Test House: CETIAT  
 Max. Working Temperature: 120°C      Test House No: 0626

## Zehnder Lyta-S Horizontal

Stock Models													
Model code	Height mm	Width mm	Finish	Overall Projection mm	Pipe Centres mm		Outputs ΔT=50K		Outputs ΔT=30K		n Exponent	Weight kg	Water Content litres
					radiator	from wall	Watts	Btu	Watts	Btu			
LYSV-041-048	407	480	white*	130	504 plus valves	82	560	1911	289	986	1.30	6.6	0.24
LYSV-041-064	407	640	white*	130	664 plus valves	82	747	2549	385	1314	1.30	8.8	0.24
LYSV-041-080	407	800	white*	130	824 plus valves	82	934	3187	481	1641	1.30	11.0	0.24
LYSV-041-096	407	960	white*	130	984 plus valves	82	1121	3825	577	1969	1.30	13.2	0.24
LYSV-041-112	407	1120	white*	130	1144 plus valves	82	1308	4463	673	2296	1.30	15.4	0.24
LYSV-056-048	557	480	white*	130	504 plus valves	82	746	2545	381	1300	1.32	8.4	0.30
LYSV-056-064	557	640	white*	130	664 plus valves	82	995	3395	508	1733	1.32	11.2	0.30
LYSV-056-080	557	800	white*	130	824 plus valves	82	1234	4210	635	2167	1.32	14.0	0.30
LYSV-056-096	557	960	white*	130	984 plus valves	82	1492	5091	762	2600	1.32	16.8	0.30
LYSV-056-112	557	1120	white*	130	1144 plus valves	82	1740	5937	889	3033	1.32	19.6	0.30
LYSV-066-048	657	480	white*	130	504 plus valves	82	855	2917	434	1481	1.33	9.6	0.35
LYSV-066-064	657	640	white*	130	664 plus valves	82	1140	3890	578	1972	1.33	12.8	0.35
LYSV-066-080	657	800	white*	130	824 plus valves	82	1425	4862	723	2467	1.33	16.0	0.35
LYSV-066-096	657	960	white*	130	984 plus valves	82	1710	5835	868	2962	1.33	19.2	0.35
LYSV-066-112	657	1120	white*	130	1144 plus valves	82	1995	6807	1012	3453	1.33	22.4	0.35

\*white (RAL 9010)  
 Max. Working Pressure: 24 bar      Test House: Laboratorio Misure Ricerche Termotecniche  
 Max. Working Temperature: 120°C      Test House No: 1695

## Zehnder Lyta-T Vertical

Stock Models													
Model code	Height mm	Width mm	Finish	Overall Projection mm	Pipe Centres mm		Outputs ΔT=50K		Outputs ΔT=30K		n Exponent	Weight kg	Water Content litres
					radiator	from wall	Watts	Btu	Watts	Btu			
LYTV-097-032	966	320	white*	110 to 140	344 plus valves	82	728	2484	362	1234	1.37	7.8	1.7
LYTV-097-048	966	480	white*	110 to 140	504 plus valves	82	1092	3726	542	1851	1.37	11.8	2.6
LYTV-147-032	1466	320	white*	110 to 140	344 plus valves	82	1000	3412	499	1703	1.39	11.2	2.5
LYTV-147-048	1466	480	white*	110 to 140	504 plus valves	82	1500	5118	749	2555	1.39	16.8	3.7
LYTV-187-024	1866	240	white*	110 to 140	264 plus valves	82	900	3071	442	1510	1.39	10.2	2.3
LYTV-187-032	1866	320	white*	110 to 140	344 plus valves	82	1200	4094	590	2013	1.39	13.6	3.1
LYTV-187-040	1866	400	white*	110 to 140	424 plus valves	82	1500	5118	737	2516	1.39	17.0	3.9
LYTV-187-048	1866	480	white*	110 to 140	504 plus valves	82	1800	6142	885	3019	1.39	20.4	4.7

\*white (RAL 9010)  
 Max. Working Pressure: 6 bar      Test House: Laboratorio Misure Ricerche Termotecniche  
 Max. Working Temperature: 120°C      Test House No: 1695

## Zehnder Excelsior

### Made to Measure Options - 30mm spacing

Model code	Height mm	Finish	Overall Projection mm	Pipe Centres mm		Outputs $\Delta T=50K$		Outputs $\Delta T=30K$		n Exponent	Weight kg	Water Content litres
				radiator	from wall	Watts	Btu	Watts	Btu			
Zehnder Excelsior vertical single fin with - 30mm spacing spacing white												
E1040/30	400	wh/col	95	length+valves	50	27	92	14.6	49.8	1.21	0.76	0.18
E1050/30	500	wh/col	95	length+valves	50	32	109	17.2	58.7	1.21	0.93	0.22
E1060/30	600	wh/col	95	length+valves	50	37	126	19.8	67.6	1.22	1.10	0.25
E1120/30	1200	wh/col	95	length+valves	50	67	229	34.4	117.4	1.25	2.14	0.47
E1150/30	1500	wh/col	95	length+valves	50	83	284	43.6	148.8	1.26	2.67	0.58
E1180/30	1800	wh/col	95	length+valves	50	100	341	52.0	177.4	1.28	3.19	0.69
E1200/30	2000	wh/col	95	length+valves	50	111	379	57.4	195.8	1.29	3.53	0.76

Underside connections available on request.

Max working pressure: 5 bar      Test House: HLK Stuttgart  
 Max. Working Temperature: 120°C      Test House No: 0626

## Zehnder Excelsior

### Made to Measure Options - 40mm spacing

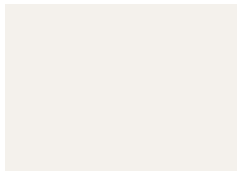
Model code	Height mm	Finish	Overall Projection mm	Pipe Centres mm		Outputs $\Delta T=50K$		Outputs $\Delta T=30K$		n Exponent	Weight kg	Water Content litres
				radiator	from wall	Watts	Btu	Watts	Btu			
Zehnder Excelsior vertical single fin with - 40mm spacing spacing white												
E1040/40	400	wh/col	95	length+valves	50	29	99	15.6	53.2	1.21	0.78	0.19
E1050/40	500	wh/col	95	length+valves	50	34	116	18.2	62.1	1.22	0.95	0.23
E1060/40	600	wh/col	95	length+valves	50	40	136	21.4	73.0	1.22	1.12	0.26
E1120/40	1200	wh/col	95	length+valves	50	72	246	37.8	129.0	1.26	2.16	0.48
E1150/40	1500	wh/col	95	length+valves	50	90	308	46.8	159.7	1.28	2.68	0.59
E1180/40	1800	wh/col	95	length+valves	50	109	372	56.1	191.4	1.30	3.21	0.70
E1200/40	2000	wh/col	95	length+valves	50	122	416	62.5	213.2	1.31	3.55	0.77

Underside connections available on request.

Max working pressure: 5 bar      Test House: HLK Stuttgart  
 Max. Working Temperature: 120°C      Test House No: 0626

# Colour System

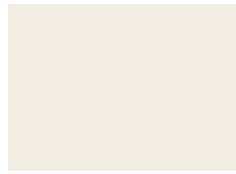
## Architectural



**White Matt**  
0556



**White Quartz**  
0521



**Pure White**  
RAL 9010 / 9010\*



**Inox Look**  
0332\*



**White Aluminium**  
9006\*



**Titane**  
0335\*



**Grey Aluminium**  
9007\*



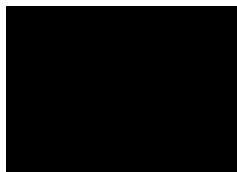
**Anthracite**  
0346



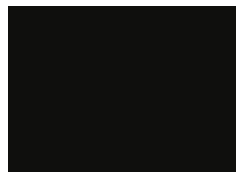
**Volcanic**  
0336



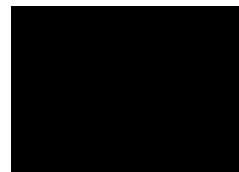
**Anthracite Grey**  
RAL 7016 / 7016\*



**Traffic Black**  
RAL 9017 / 9017\*



**Jet Black**  
RAL 9005 / 9005\*

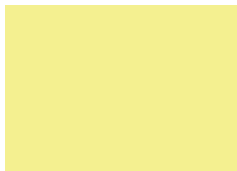


**Black Matt**  
0557



**Black Quartz**  
0550

## Tonic



**Lemon**  
0515\*



**Traffic Yellow**  
RAL 1023 / 1023\*



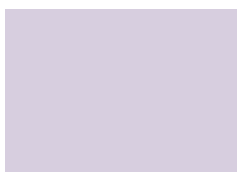
**Orange Quartz**  
0528



**Flame Red**  
RAL 3000 / 3000\*



**Ruby Red**  
RAL 3003 / 3003\*



**Mauve**  
0517\*



**Violet**  
0518\*



**Strawberry**  
NCS-S-2065-R20B / 3770



**Dark Purple**  
0848



**Amethyst Quartz**  
0516



**Lichen**  
NCS-S-2010-G60Y / 8723



**Spring Green**  
0846



**Pacific Blue**  
0519



**Horizon Blue**  
0520\*



**Prussian Blue**  
0555\*

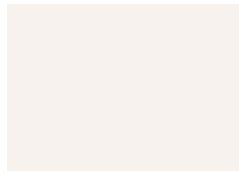
\* These colours have a glossy finish, all others are matt.

Some colours/surface finishes are only available for selected products.

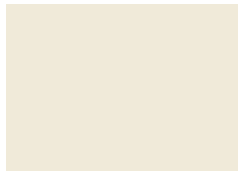
Deviations are possible (shade and shine) due to the different manufacturing techniques used for the original colours. RAL and NCS are manufacturer designations.

This colour chart only represents the range of Zehnder colours available. It is not representative of the actual colour finish. Please ask for a colour chart from which to confirm your selection before placing your order.

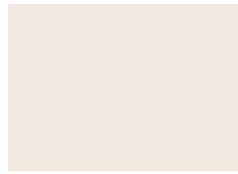
## Natural



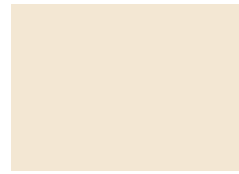
**Edelweiss**  
0067



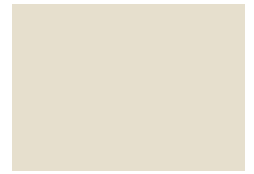
**Cream**  
RAL 9001 / 9001\*



**Pergamon**  
0081\*



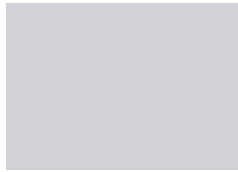
**Jasmin**  
0072



**Oyster White**  
RAL 1013 / 1013\*



**Grey White**  
RAL 9002 / 9002\*



**Chinchilla**  
0064



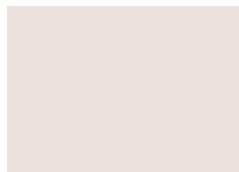
**Manhattan**  
0077\*



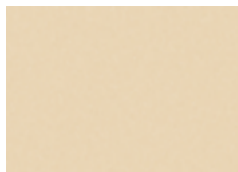
**Natura**  
0035\*



**Bahama**  
0054\*



**Petal**  
0510\*



**Sand Quartz**  
0522



**Beige Quartz**  
0523



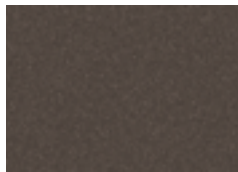
**Caramel Quartz**  
0511



**Terracotta Quartz**  
0512



**Gold Look**  
0514\*



**Brown Quartz**  
0529

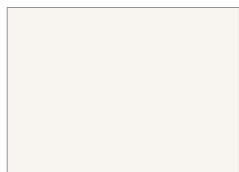


**Dark Brown**  
0847

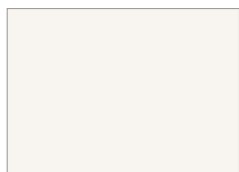


**Chocolate Brown**  
RAL 8017 / 8017\*

## Standard



**Traffic White**  
RAL 9016 / 9016\*



**Traffic White**  
RAL 9016 - matt version  
(incurs +25% colour surcharge)

## Surfaces



**Chrome**  
0008



**Stainless Steel**  
Only available for stainless steel radiators



**Technoline (Clear) Bare Metal lacquer**  
0325. Only available for Charleston range



**Black-silver hammered finish**  
0422\* Only available for Charleston range



**Copper-black hammered finish**  
0421\* Only available for Charleston range

# General Information

## Heat Loss Calculator

This easy-to-use heat calculator can work out the heat requirements for your room.

### Stage 1 Take the room dimensions in metres

Width  m Length  m Height  m

calculate the volume ( $W \times L \times H$ ) =  cubic metres

### Stage 2 Heating requirements per room type

Living Room / Dining Room / Bathroom  volume

multiply volume as calculated in Stage 1 by 50 =  Watts required

Bedroom  volume

multiply volume as calculated in Stage 1 by 40 =  Watts required

Kitchen / Hallway  volume

multiply volume as calculated in Stage 1 by 30 =  Watts required

### Stage 3 Other factors for consideration

Is the property exposed?

a

Does the room have large areas of glazing?

b

Are the windows double glazed?

c

If factor 'a' applies, increase the Watts required at Stage 2 by 15%

If factor 'b' applies, increase the Watts required at Stage 2 by 20%

If factor 'c' applies, decrease the Watts required at Stage 2 by 10%

If factor 'a' and 'b' apply, increase the Watts required at Stage 2 by 35%

If factor 'a' and 'c' apply, increase the Watts required at Stage 2 by 5%

If factor 'b' and 'c' apply, increase the Watts required at Stage 2 by 10%

If factor 'a', 'b' and 'c' apply, increase the Watts required at Stage 2 by 25%

Please note that this calculator is provided as a guide only.

To convert Watts to BTUs, multiply by 3.412.

For an approximate conversion from  $\Delta T50^{\circ}\text{C}$  to  $\Delta T60^{\circ}\text{C}$ , multiply the  $\Delta T50^{\circ}\text{C}$  output by 1.2.

## Terms and Conditions of Trading

A complete copy of the company's terms and conditions of trading are available on our website [www.zehnder.co.uk](http://www.zehnder.co.uk)

In addition to the Terms and Conditions, please note the following:

- All delivery times quoted are estimates only. Prices quoted include free delivery to the UK mainland for radiators and towel rails. Orders for valves, fans, elements and accessories with a net order value under £100 are subject to a processing charge of £10 + VAT
- Returned goods for credit will only be accepted by prior arrangement (confirmed in writing), within 8 weeks of the date of despatch, where the goods are part of our stock range and where the goods are as fit for sale on their return as they were on delivery. If goods have been fitted this is deemed as acceptance of their quality. We cannot accept the return of non-stock goods.
- You are responsible for ensuring the suitability, conformity and interoperability of the goods or indicative system design suggestions provided by us with your heating system and your design requirements. It is important that you undertake such verification with an appropriately qualified expert third party
- Where a radiator is returned as no longer required and an alternative radiator is not ordered a 25% restocking fee plus a £10 administration fee will be charged (unless the goods were defective when delivered). If a radiator is no longer required but an alternative radiator is ordered, either a restocking fee of £25 or 25% of the value (whichever is the lower) will be charged, but the administration fee will be waived.
- We warrant the goods for a period of 5 years for steel radiators, 10 years for stainless steel and aluminium radiators, 2 years for radiator electrical componentry and 3 years for extractor fans, from the date of delivery. The warranty is subject to correct installation to current standards/water treatments and use.
- Radiators with steel components (other than stainless steel) must not be installed on a domestic hot water circuit. If a stainless steel or brass product is to be installed on the domestic hot water circuit, a check should be made with the local water authority to ensure that dezincification is not a common occurrence.
- Artificially softened water should not be used to fill radiators. For FAQ radiator/water-related information, visit [www.fernox.com](http://www.fernox.com).
- All measurements given in this brochure are nominal dimensions only.
- All brochures, catalogues and other promotional materials are to be treated as illustrative only. Their contents form no part of any contract between us and you should not rely on them in entering into any contract with us. Any typographical, clerical or other error or omission in any literature, quotation, price list, or other document issued by us will be subject to correction without liability being incurred by us.

### Bathroom Zones

The diagram below shows a bathroom divided into four clear zones: 0, 1, 2 and outside zones. Please note, the diagram is only a guide and is NOT to scale. Please refer to I.E.E Wiring Regulations (BS 7671:2008) for detailed information.

**Zone 0:** Inside the bath

**Zone 1:** Area above bath / shower tray to a height of 2.25m.

Minimum rating of IPX4 should be used unless water spray will be present. In this case, a rating of IPX5 should be used.

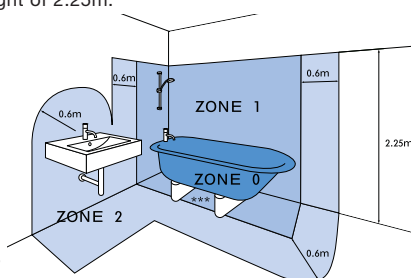
**Zone 2:** Area stretching 0.6m from zone 1. Minimum rating of IPX4 should be used here.

**Outside Zones:** No water spray is likely to be used here, therefore, no IP rating is required.

**IP Rating:** "X" denotes level of security against dust particles. Second digit denotes level of "watertightness".

**IPX5:** Protected against low pressure water jets

**IPX4:** Protected against splashing water



OUTSIDE ZONES

## Frequently Asked Questions

### Why is it important with some of the models that the flow is in a specific connection position?

Some of the design radiators have baffles inside the water-carrying tubes to divert the water flow around the whole radiator to maximize efficiency. Check the installation instructions to see if this applies to the radiator before it is installed.

### What is an inhibitor and why should it be used in a central heating system?

An inhibitor is a chemical mix that should be added to the central heating system water to prevent corrosion and to prolong the life of the system. When new or additional radiators are being installed, the system should be drained, cleaned and flushed in accordance with BS7593 and a good quality chemical water treatment inhibitor should be added to the heating system.

### Can steel and aluminium radiators be put on the same system?

Yes, as long as an inhibitor for mixed metal systems is used. In reality, most systems are already mixed metal, as many have aluminium heat exchangers in the boiler, plus copper pipes and steel radiators already installed.

### Why is it important to use dual energy installations correctly?

Simultaneous use of the electrical element and the central heating system should be avoided as this will shorten the life of the element and invalidate the warranty. Correct use is as follows: In summer when the central heating is switched off, vent the radiator to ensure there is no air present, then close the flow valve (only) and activate the immersion heater. In winter, de-activate the immersion heater and open the flow valve.

### What is the difference between outputs listed at $\Delta T60^{\circ}\text{C}$ and $\Delta T50^{\circ}\text{C}$ ?

$\Delta T60^{\circ}\text{C}$  allows for older boiler systems, whilst  $\Delta T50^{\circ}\text{C}$  is the new European testing standard for modern boilers, such as condensing boilers, which have lower flow and return temperatures. Therefore, to avoid radiators being incorrectly sized, it is important to know the system's temperatures and take them into consideration.

---

# Notes

Zehnder (retail) - A Division of Zehnder Group UK Ltd  
Watchmoor Point · Camberley · Surrey · GU15 3AD · Registered in England: 2296696  
T: +44 (0) 1276 605800 F: +44 (0) 1276 24058  
For placing an order · [orders@zehnder.co.uk](mailto:orders@zehnder.co.uk)  
For general enquiries · [retailsales@zehnder.co.uk](mailto:retailsales@zehnder.co.uk)  
[aftersales@zehnder.co.uk](mailto:aftersales@zehnder.co.uk)  
[quotes@zehnder.co.uk](mailto:quotes@zehnder.co.uk)  
[www.zehnder.co.uk](http://www.zehnder.co.uk)

**zehnder**